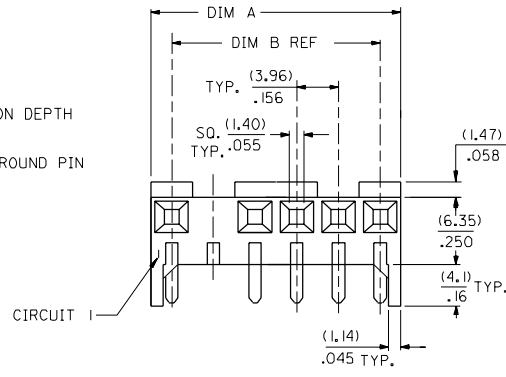
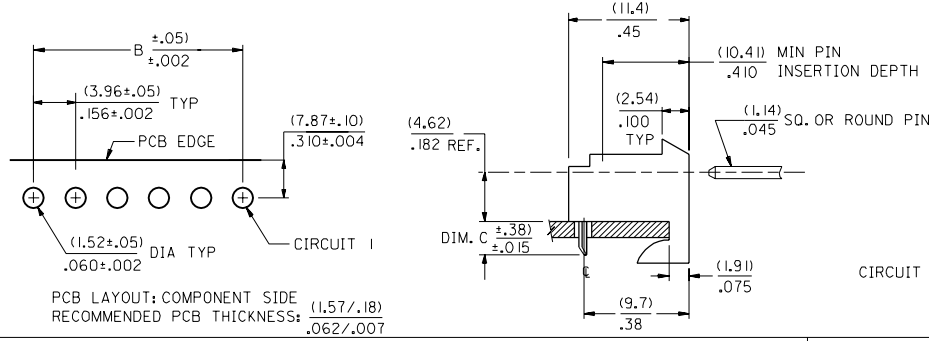
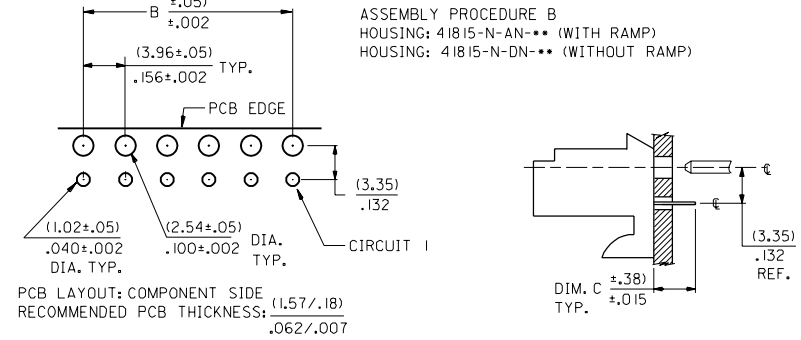


ASSEMBLY PROCEDURE A
 HOUSING: 41815-N-AN-** (WITH RAMP)
 HOUSING: 41815-N-DN-** (WITHOUT RAMP)

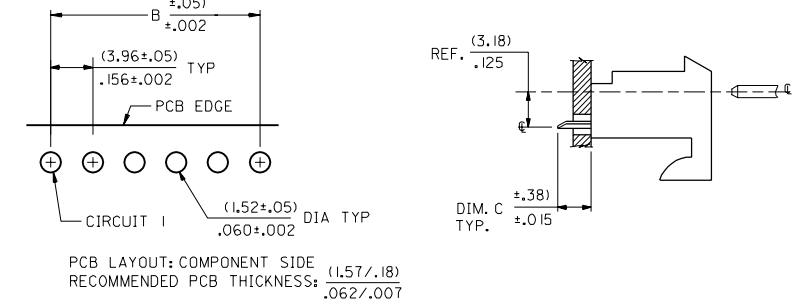


DIM. B	DIM. A	NO. OF CKTS
(3.96)	(7.82±.25)	2
.156	.308±.010	
(7.92)	(11.79±.25)	3
.312	.464±.010	
(11.89)	(15.75±.25)	4
.468	.620±.010	
(15.85)	(19.71±.25)	5
.624	.776±.010	
(19.81)	(23.67±.25)	6
.780	.932±.010	
(23.77)	(27.64±.30)	7
.936	1.088±.012	
(27.74)	(31.60±.25)	8
1.092	1.244±.012	
(31.70)	(35.56±.30)	9
1.248	1.400±.012	
(35.66)	(39.52±.30)	10
1.404	1.556±.012	
(39.62)	(43.48±.30)	11
1.560	1.712±.012	
(43.59)	(47.45±.30)	12
1.716	1.868±.012	
(47.55)	(51.41±.30)	13
1.872	2.024±.012	
(51.51)	(55.37±.36)	14
2.028	2.180±.014	
(55.47)	(59.33±.36)	15
2.184	2.336±.014	

ASSEMBLY PROCEDURE B
 HOUSING: 41815-N-AN-** (WITH RAMP)
 HOUSING: 41815-N-DN-** (WITHOUT RAMP)

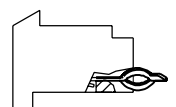


ASSEMBLY PROCEDURE C
 HOUSING: 41815-N-AN-** (WITH RAMP)
 HOUSING: 41815-N-DN-** (WITHOUT RAMP)

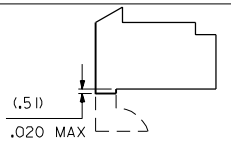


NOTES:

2. SOLDERABILITY: WHEN PARTS ARE SOLDERED AT A TEMPERATURE OF 230°C OR 446°F FOR 5 SECONDS EACH SOLDERED SURFACE SHALL BE A MINIMUM OF 95% COVERED WITH A SMOOTH CONTINUOUS ADHERENT COATING. FOR ADDITIONAL INFORMATION SEE ES-152.
3. MATERIAL: HOUSING: POLYESTER, 94V-0 COLOR NATURAL (WHITE)
5. SEE SMES-42329-*** FOR KINK PIN INFORMATION.
6. PRODUCT SPECIFICATION: PS-08-50
7. PARTS ARE STACKABLE END TO END ON (3.96)/.156 @
8. FOR TOP ENTRY AND RIGHT ANGLE ASSEMBLIES WITH LOWER INSERTION FORCE USE SINGLE BEAM CONTACT. (TERMINAL NO. 4244)



KINKED TERMINAL OPTION
 SEE NOTE 5
 (SEE ASSY PROC. C FOR PCB LAYOUT)



HOOKS REMOVED OPTION

REL 0551 UCR2000-0200	9-13-99 SAMIEC	REN'D FOR SAP UCR 1999-0602 99-12-15 SAMIEC	REL -NC102-0028 UCR 1998-0103 98-3-24 SAMIEC	DIMENSIONS SHOWN METRIC () INCH UNLESS OTHERWISE SPECIFIED TOLERANCES: ANGULAR 1° 10" INCH METRIC 3 PLACE ± 2 PLACE ± 1 PLACE ± DRAFT WHERE APPLICABLE MUST REMAIN WITHIN DIMENSIONS DRWG: SAMIEC CHKD: PATEL APP'D: LENZ SCALE:	TITLE (3.96)/.156@ PC BOARD CONNECTOR ASSEMBLY 41815 SERIES DWG. MOLEX INCORPORATED LITTLE ROCK, AR 60532 U.S.A. SHEET NO. 1 OF 7 DATE 01/28/97 SEE CHARTS SDA-41815	REVISIONS 7 AH1 6 AH 5 AH 4 AH 3 AH 2 AH 1 AH1 MFG. SH. REV.	THIS DRAWING CONTAINS INFORMATION THAT IS PROPRIETARY TO MOLEX INC. AND SHOULD NOT BE USED WITHOUT WRITTEN PERMISSION.
--------------------------	----------------	---	--	---	---	--	---

41815

C

B

A

	13	12	11	10	9	8	7	6	41815	4	3	2	1																																												
J	ENG. NO.	HOUSING NO.	HOUSING TYPE	TERMINAL NO.	TERM. MAT'L	ASSEMBLY PROCEDURE	DIM. C	TERMINAL VOID LOC.	PACKING	KINKED TERMINAL	HOOKS REMOVED			J																																											
	A-41815-0327/0340	41815-N-DN	WITHOUT RAMP	2188-(P913)	BRASS	B: BOTTOM ENTRY	(4.06) /.160	NONE	BULK	NO	YES																																														
	A-41815-0341/0354	41815-N-AN	WITH RAMP	2144-AA-A1AA-505B	BRASS	A: SIDE ENTRY	(3.68) /.145	NONE	BULK	NO	NO																																														
	A-41815-0355/0368	41815-N-DN	WITHOUT RAMP	2144-AA-A1AA-P913B	BRASS	C: TOP ENTRY	(3.05) /.120	NONE	BULK	NO	NO																																														
	A-41815-0369/0382	41815-N-AN	WITH RAMP	4244-A1021A	PHOS BRONZE	A: SIDE ENTRY	(3.68) /.145	NONE	BULK	NO	NO																																														
I	A-41815-0383/0396	41815-N-AN	WITH RAMP	2188-K122	BRASS	B: BOTTOM ENTRY	(3.18) /.125	NONE	BULK	NO	NO			I																																											
	A-41815-0397/0410	41815-N-AN	WITH RAMP	6298-K563	PHOS BRONZE	B: BOTTOM ENTRY	(4.06) /.160	NONE	BULK	NO	NO																																														
	A-41815-0411/0424	41815-N-AN	WITH RAMP	2144-BA-A1AA-563B	PHOS BRONZE	C: TOP ENTRY	(3.05) /.120	NONE	BULK	NO	NO																																														
	A-41815-0425/0438	41815-N-AN	WITH RAMP	2144-AA-A1AA-587B	BRASS	A: SIDE ENTRY	(3.68) /.145	NONE	BULK	NO	NO																																														
H	A-41815-0327/0340			A-41815-0341/0354			A-41815-0355/0368			A-41815-0369/0382			H																																												
	PART NO.	ENG. NO.	CKT	PART NO.	ENG. NO.	CKT	PART NO.	ENG. NO.	CKT	PART NO.	ENG. NO.	CKT																																													
		A-41815-0327	2		A-41815-0341	2		A-41815-0355	2	09-48-1023	A-41815-0369	2																																													
		A-41815-0328	3	09-48-3037	A-41815-0342	3		A-41815-0356	3	09-48-1033	A-41815-0370	3																																													
		A-41815-0329	4		A-41815-0343	4	09-48-2047	A-41815-0357	4	09-48-1043	A-41815-0371	4																																													
G	09-48-2056	A-41815-0330	5		A-41815-0344	5		A-41815-0358	5	09-48-1053	A-41815-0372	5																																													
		A-41815-0331	6		A-41815-0345	6		A-41815-0359	6	09-48-1063	A-41815-0373	6																																													
		A-41815-0332	7		A-41815-0346	7		A-41815-0360	7	09-48-1073	A-41815-0374	7																																													
	09-48-2086	A-41815-0333	8		A-41815-0347	8		A-41815-0361	8	09-48-1083	A-41815-0375	8																																													
		A-41815-0334	9		A-41815-0348	9		A-41815-0362	9	09-48-1093	A-41815-0376	9																																													
	09-48-2106	A-41815-0335	10		A-41815-0349	10	09-48-2107	A-41815-0363	10	09-48-1103	A-41815-0377	10																																													
		A-41815-0336	11		A-41815-0350	11		A-41815-0364	11	09-48-1113	A-41815-0378	11																																													
F		A-41815-0337	12		A-41815-0351	12		A-41815-0365	12	09-48-1123	A-41815-0379	12																																													
		A-41815-0338	13		A-41815-0352	13		A-41815-0366	13	09-48-1133	A-41815-0380	13																																													
		A-41815-0339	14		A-41815-0353	14		A-41815-0367	14	09-48-1143	A-41815-0381	14																																													
		A-41815-0340	15		A-41815-0354	15		A-41815-0368	15	09-48-1153	A-41815-0382	15																																													
	WAS: A-41815-NB913-0017			WAS: A-41815-NA505-0001			WAS: A-41815-NC913-0020			WAS: A-41815-NA102-0022																																															
E	A-41815-0383/0396			A-41815-0397/0410			A-41815-0411/0424			A-41815-0425/0438			E																																												
	PART NO.	ENG. NO.	CKT	PART NO.	ENG. NO.	CKT	PART NO.	ENG. NO.	CKT	PART NO.	ENG. NO.	CKT																																													
	09-48-4025	A-41815-0383	2		A-41815-0397	2		A-41815-0411	2	09-48-3025	A-41815-0425	2																																													
	09-48-4035	A-41815-0384	3		A-41815-0398	3		A-41815-0412	3	09-48-3035	A-41815-0426	3																																													
D	09-48-4045	A-41815-0385	4		A-41815-0399	4		A-41815-0413	4	09-48-3045	A-41815-0427	4																																													
	09-48-4055	A-41815-0386	5		A-41815-0400	5		A-41815-0414	5	09-48-3055	A-41815-0428	5																																													
	09-48-4065	A-41815-0387	6		A-41815-0401	6		A-41815-0415	6	09-48-3065	A-41815-0429	6																																													
	09-48-4075	A-41815-0388	7		A-41815-0402	7		A-41815-0416	7	09-48-3075	A-41815-0430	7																																													
	09-48-4085	A-41815-0389	8	09-48-3088	A-41815-0403	8		A-41815-0417	8	09-48-3085	A-41815-0431	8																																													
	09-48-4095	A-41815-0390	9		A-41815-0404	9		A-41815-0418	9	09-48-3095	A-41815-0432	9																																													
C	09-48-4105	A-41815-0391	10		A-41815-0405	10		A-41815-0419	10	09-48-3105	A-41815-0433	10																																													
	09-48-4115	A-41815-0392	11	09-48-3118	A-41815-0406	11		A-41815-0420	11	09-48-3115	A-41815-0434	11																																													
	09-48-4125	A-41815-0393	12		A-41815-0407	12		A-41815-0421	12	09-48-3125	A-41815-0435	12																																													
	09-48-4135	A-41815-0394	13	09-48-3138	A-41815-0408	13		A-41815-0422	13	09-48-3135	A-41815-0436	13																																													
	09-48-4145	A-41815-0395	14		A-41815-0409	14		A-41815-0423	14	09-48-3145	A-41815-0437	14																																													
	09-48-4155	A-41815-0396	15		A-41815-0410	15		A-41815-0424	15	09-48-3155	A-41815-0438	15																																													
	WAS: A-41815-NB122-0002			WAS: A-41815-NB563-0003			WAS: A-41815-NC563-0011			WAS: A-41815-NA587-0001																																															
A	<table border="1"> <tr> <td>SEE SHT 1</td> <td>DIMENSIONS SHOWN (METRIC) INCH</td> <td>▽ = 0</td> <td>▽ = 0</td> <td>REVISE ONLY ON CAD SYSTEM</td> </tr> <tr> <td>SEE SHT 1</td> <td>UNLESS OTHERWISE SPECIFIED TOLERANCES: ANGULAR ± .125°</td> <td colspan="3">TITLE (3.96) /.156 PC BOARD CONNECTOR ASSEMBLY 41815 SERIES DWG.</td> </tr> <tr> <td>SEE SHT 1</td> <td>INCH METRIC</td> <td colspan="3">MOLEX INCORPORATED SHEET NO. 5 DATE 01/30/87</td> </tr> <tr> <td>SEE SHT 1</td> <td>3 PLACE ±</td> <td colspan="3">PART NO. SDA-41815</td> </tr> <tr> <td>SEE SHT 1</td> <td>2 PLACE ±</td> <td colspan="3">DRAWN BY: SAMIEC</td> </tr> <tr> <td>SEE SHT 1</td> <td>1 PLACE ±</td> <td colspan="3">CHK'D BY: PATEL</td> </tr> <tr> <td>SEE SHT 1</td> <td colspan="4">DRAFT WHERE APPLICABLE MUST REMAIN WITHIN DIMENSIONS</td> </tr> <tr> <td>SEE SHT 1</td> <td>APP'D BY: LENZ</td> <td>SCALE: 1:1</td> <td colspan="2">THIS DRAWING CONTAINS INFORMATION THAT IS PROPRIETARY TO MOLEX INC. AND SHOULD NOT BE USED WITHOUT WRITTEN PERMISSION</td> </tr> <tr> <td>LTR. REVISIONS</td> <td>LTR. REVISIONS</td> <td>FILE NAME: S41815X5</td> <td>DRWG. NO. 60532</td> <td>BY: C</td> </tr> </table>											SEE SHT 1	DIMENSIONS SHOWN (METRIC) INCH	▽ = 0	▽ = 0	REVISE ONLY ON CAD SYSTEM	SEE SHT 1	UNLESS OTHERWISE SPECIFIED TOLERANCES: ANGULAR ± .125°	TITLE (3.96) /.156 PC BOARD CONNECTOR ASSEMBLY 41815 SERIES DWG.			SEE SHT 1	INCH METRIC	MOLEX INCORPORATED SHEET NO. 5 DATE 01/30/87			SEE SHT 1	3 PLACE ±	PART NO. SDA-41815			SEE SHT 1	2 PLACE ±	DRAWN BY: SAMIEC			SEE SHT 1	1 PLACE ±	CHK'D BY: PATEL			SEE SHT 1	DRAFT WHERE APPLICABLE MUST REMAIN WITHIN DIMENSIONS				SEE SHT 1	APP'D BY: LENZ	SCALE: 1:1	THIS DRAWING CONTAINS INFORMATION THAT IS PROPRIETARY TO MOLEX INC. AND SHOULD NOT BE USED WITHOUT WRITTEN PERMISSION		LTR. REVISIONS	LTR. REVISIONS	FILE NAME: S41815X5	DRWG. NO. 60532	BY: C	A
SEE SHT 1	DIMENSIONS SHOWN (METRIC) INCH	▽ = 0	▽ = 0	REVISE ONLY ON CAD SYSTEM																																																					
SEE SHT 1	UNLESS OTHERWISE SPECIFIED TOLERANCES: ANGULAR ± .125°	TITLE (3.96) /.156 PC BOARD CONNECTOR ASSEMBLY 41815 SERIES DWG.																																																							
SEE SHT 1	INCH METRIC	MOLEX INCORPORATED SHEET NO. 5 DATE 01/30/87																																																							
SEE SHT 1	3 PLACE ±	PART NO. SDA-41815																																																							
SEE SHT 1	2 PLACE ±	DRAWN BY: SAMIEC																																																							
SEE SHT 1	1 PLACE ±	CHK'D BY: PATEL																																																							
SEE SHT 1	DRAFT WHERE APPLICABLE MUST REMAIN WITHIN DIMENSIONS																																																								
SEE SHT 1	APP'D BY: LENZ	SCALE: 1:1	THIS DRAWING CONTAINS INFORMATION THAT IS PROPRIETARY TO MOLEX INC. AND SHOULD NOT BE USED WITHOUT WRITTEN PERMISSION																																																						
LTR. REVISIONS	LTR. REVISIONS	FILE NAME: S41815X5	DRWG. NO. 60532	BY: C																																																					

Mouser Electronics

Authorized Distributor

Click to View Pricing, Inventory, Delivery & Lifecycle Information:

[Molex:](#)

[09-48-5137](#)