

**PLEASE CHECK WWW.MOLEX.COM FOR LATEST PART INFORMATION**

**Part Number:** [0015040220](#)  
**Status:** **Active**  
**Overview:** KK® Interconnect System - Molex  
**Description:** 3.96mm Pitch KK Polarizing Peg with Boss

**Documents:**

<a href="#">3D Model</a>	<a href="#">3D Model (PDF)</a>
<a href="#">Drawing (PDF)</a>	<a href="#">RoHS Certificate of Compliance (PDF)</a>

**General**

Product Family	Accessories
Series	<a href="#">2560</a>
Component Type	Polarizing Key
Overview	<u>KK® Interconnect System - Molex</u>
Product Name	KK 396
UPC	800754220743

**Physical**

Circuits (Loaded)	1
Circuits (maximum)	1
Color - Resin	Natural
Lock to Mating Part	No
Material - Resin	Nylon
Net Weight	0.051/g
Packaging Type	Bag

**Solder Process Data**

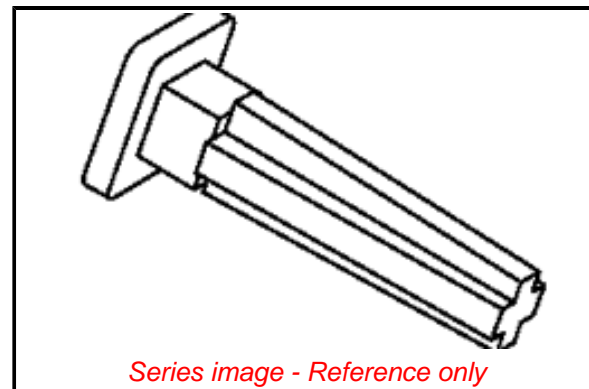
Lead-freeProcess Capability	N/A
-----------------------------	-----

**Material Info**

Engineering Number	25602
--------------------	-------

**Reference - Drawing Numbers**

Sales Drawing	SD-2560-001
---------------	-------------



*Series image - Reference only*

**EU ELV**

**Not Relevant**

**EU RoHS**

**Compliant**

**REACH SVHC**

Not Contained Per -  
D(2021)4569-DC (8  
July 2021)

**Halogen-Free**

**Status**

**Low-Halogen**

For more information, please visit [Contact US](#)

China ROHS

ELV

RoHS Phthalates

**China RoHS**

Green Image

Not Relevant

Not Contained

**Search Parts in this Series**

[2560](#) Series

**Use With**

[2139](#) KK Crimp Terminal. [2145](#) KK PC Board Connector

# Mouser Electronics

Authorized Distributor

Click to View Pricing, Inventory, Delivery & Lifecycle Information:

[Molex:](#)

[15-04-0220](#)