

PLEASE CHECK WWW.MOLEX.COM FOR LATEST PART INFORMATION

Part Number: **0003062043**

Status: **Active**

Overview: Standard .062" Pin and Socket Power Connectors

Description: 1.57mm Diameter Standard .062" Pin and Socket Plug Housing, Dual row, with Panel Mount Ears, PA Polyamide Nylon 6/6, UL 94V-2, 4 Circuits

Documents:

[3D Model](#)

[Drawing \(PDF\)](#)

[RoHS Certificate of Compliance \(PDF\)](#)

Agency Certification

CSA LR19980
UL E29179

General

Product Family Crimp Housings
Series 2004
Application Power, Wire-to-Wire
Overview [Standard .062" Pin and Socket Power Connectors](#)
Product Name Standard .062"
UPC 800754231480

Physical

Circuits (maximum) 4
Circuits Detail (2 x 2)
Color - Resin Natural
Flammability 94V-2
Gender Male
Glow-Wire Compliant No
Lock to Mating Part Yes
Material - Resin Nylon
Net Weight 1.204/g
Number of Rows 2
Packaging Type Bag
Panel Mount Yes
Pitch - Mating Interface 3.68mm
Pitch - Termination Interface 3.68mm
Polarized to Mating Part Yes
Stackable No
Temperature Range - Operating -40°C to +105°C

Electrical

Current - Maximum per Contact 5.0A

Solder Process Data

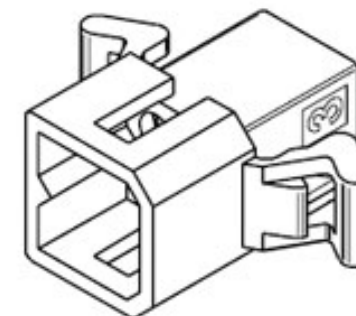
Lead-freeProcess Capability N/A

Material Info

Old Part Number 2004P

Reference - Drawing Numbers

Sales Drawing SD-2004-*



Series image - Reference only

EU ELV

Not Relevant

EU RoHS

Compliant

REACH SVHC

Not Contained Per
-ED/79/2015 (17
December 2015)

Halogen-Free

Status

Low-Halogen

**Need more information on product
environmental compliance?**

Email productcompliance@molex.com
Please visit the [Contact Us](#) section for any
non-product compliance questions.

China ROHS

ELV

Green Image

Not Relevant

Search Parts in this Series

2004 Series

Mates With

03-06-1044

Use With

[1560](#) Male Crimp Terminals, [1561](#) Female
Crimp Terminals, [4559](#) , [4529](#) , [2190](#) ,
[2189](#) , [1787](#) Female Crimp Terminals, [1786](#)
Male Crimp Terminals, [1854](#) Male Crimp
Terminals, [1855](#) Female Crimp Terminals,
[1778](#) Male PC Tail

Mouser Electronics

Authorized Distributor

Click to View Pricing, Inventory, Delivery & Lifecycle Information:

[Molex:](#)

[03-06-2043](#)