

Fig. 1

- Series 830 single and double row interconnects have 2 mm pin spacing and permit board stacking as low as .322".
- Pin headers (830 & 832) use MM# 5012 pins. (See page 166 for details)
- Sockets (831 & 833) use MM# 1802 receptacle accepts pin diameters from .015-.025. (See page 138 for details)
- Insulators are high temperature thermoplastic, suitable for all soldering operations.

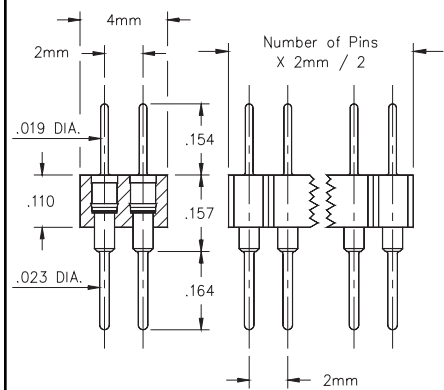


Fig. 2

Ordering Information

Fig. 1

Single Row Pin Header

830-XX-0__-10-001
Specify # of pins → 01-50

Fig. 2

Double Row Pin Header

832-XX-__-10-001
Specify # of pins → 002-100

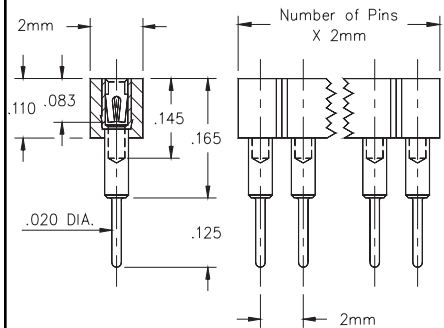


Fig. 3

*XX= Plating Code
See Below*

SPECIFY PLATING CODE XX=	10	90		
Pin Plating	10μ" Au	200μ" Sn/Pb		

Fig. 3

Single Row Socket

831-XX-0__-10-001
Specify # of pins → 01-50

Fig. 4

Double Row Socket

833-XX-__-10-001
Specify # of pins → 002-100

*XX= Plating Code
See Below*

SPECIFY PLATING CODE XX=		93		
Sleeve (Pin)		200μ" Sn/Pb		
Contact (Clip)		30μ" Au		

Mouser Electronics

Authorized Distributor

Click to View Pricing, Inventory, Delivery & Lifecycle Information:

[Mill-Max:](#)

[832-10-040-10-001](#)