

Brushless DC Motor

42BLF Series

General Specifications

Winding Type	Star
Hall Effect Angle	120° Electrical Angle
Insulation Class	B
Ambient Temperature Range	-20°C ~ +50°C
Insulation Resistance	100 MΩ Min. 500 VDC
Dielectric Strength	500 VAC 1 minute

Customized solutions on request.

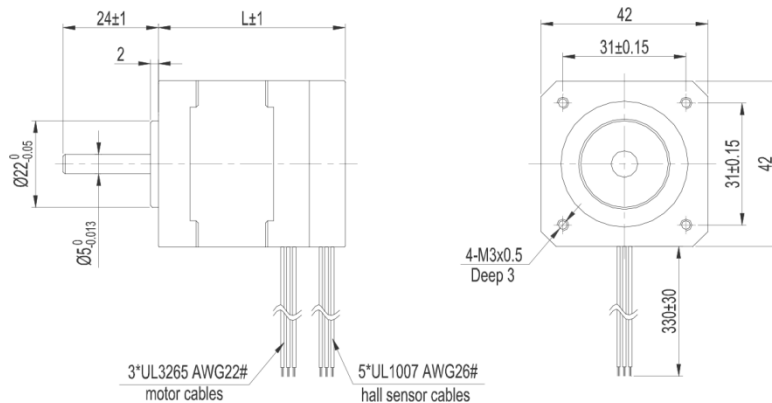


Electrical Specifications

Model		42BLF01	42BLF02	42BLF03
Number of Poles		8	8	8
Number of Phases		3	3	3
Rated Voltage	VDC	24	24	24
Rated Speed	RPM	4000	4000	4000
Rated Torque	Nm	0.063	0.125	0.188
Rated Current	A	1.9	3.4	5.7
Output Power	W	26	52	78
Peak Torque	Nm	0.18	0.38	0.75
Peak Current	A	5.7	10.2	18
Torque Constant	Nm/A	0.035	0.036	0.036
Back EMF	V/KRPM	3.7	3.8	3.8
Rotor Inertia	gcm ²	24	48	72
Body Length	mm	47	63	79
Mass	kg	0.33	0.48	0.63

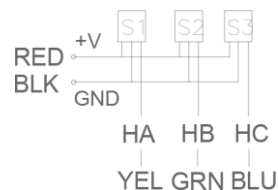
Caution: Peak Torque is provided for the purpose of performance calculations only. Operating near, or at this condition can result in motor damage.

Mechanical Dimensions



Connection diagram

Hall Sensor Cable



Wiring Cable



Note: Hall Sensor Power Supply voltage +5 to +20 VDC

Mouser Electronics

Authorized Distributor

Click to View Pricing, Inventory, Delivery & Lifecycle Information:

[Mikroe:](#)

[MIKROE-4455](#)