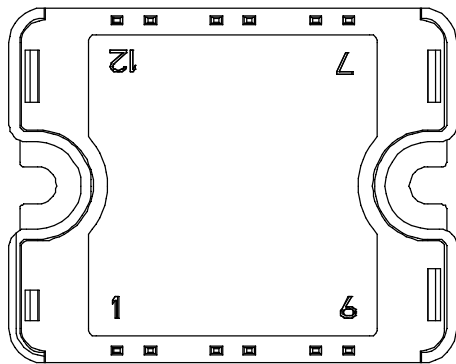
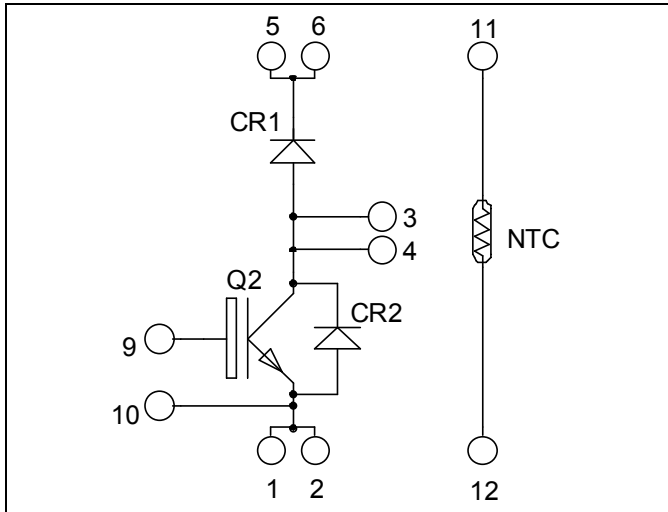


**Boost chopper
Trench + Field Stop IGBT4
Power module**

**$V_{CES} = 1200V$
 $I_C = 90A @ T_c = 80^\circ C$**



Pins 1/2 ; 3/4 ; 5/6 must be shorted together

Application

- AC and DC motor control
- Switched Mode Power Supplies
- Power Factor Correction

Features

- Trench + Field Stop IGBT 4 Technology
 - Low voltage drop
 - Low leakage current
 - Low switching losses
 - Soft recovery parallel diodes
 - Low diode VF
 - Low leakage current
 - RBSOA and SCSOA rated
 - Symmetrical design
- Kelvin emitter for easy drive
- Very low stray inductance
- High level of integration
- Internal thermistor for temperature monitoring

Benefits

- Outstanding performance at high frequency operation
- Direct mounting to heatsink (isolated package)
- Low junction to case thermal resistance
- Solderable terminals both for power and signal for easy PCB mounting
- Low profile
- RoHS Compliant

Absolute maximum ratings

| Symbol | Parameter | Max ratings | Unit |
|-----------|---------------------------------------|---------------------|--------------|
| V_{CES} | Collector - Emitter Breakdown Voltage | 1200 | V |
| I_C | Continuous Collector Current | $T_c = 25^\circ C$ | 110 |
| | | $T_c = 80^\circ C$ | 90 |
| I_{CM} | Pulsed Collector Current | $T_c = 25^\circ C$ | 150 |
| V_{GE} | Gate - Emitter Voltage | ± 20 | V |
| P_D | Maximum Power Dissipation | $T_c = 25^\circ C$ | 385 |
| RBSOA | Reverse Bias Safe Operating Area | $T_j = 150^\circ C$ | 150A @ 1150V |

CAUTION: These Devices are sensitive to Electrostatic Discharge. Proper Handling Procedures Should Be Followed. See application note APT0502 on www.microsemi.com

All ratings @ $T_j = 25^\circ\text{C}$ unless otherwise specified

Electrical Characteristics

| Symbol | Characteristic | Test Conditions | Min | Typ | Max | Unit |
|---------------|--------------------------------------|-------------------------------|---|--------------|------|---------------|
| I_{CES} | Zero Gate Voltage Collector Current | $V_{GE} = 0V, V_{CE} = 1200V$ | | | 250 | μA |
| $V_{CE(sat)}$ | Collector Emitter saturation Voltage | $V_{GE} = 15V$ $I_C = 75A$ | $T_j = 25^\circ\text{C}$ $T_j = 150^\circ\text{C}$ | 1.85 2.25 | 2.25 | V |
| $V_{GE(th)}$ | Gate Threshold Voltage | $V_{GE} = V_{CE}, I_C = 3mA$ | 5.0 | 5.8 | 6.5 | V |
| I_{GES} | Gate – Emitter Leakage Current | $V_{GE} = 20V, V_{CE} = 0V$ | | | 600 | nA |

Dynamic Characteristics

| Symbol | Characteristic | Test Conditions | Min | Typ | Max | Unit |
|--------------|------------------------------|---|---|------------|-----|---------------|
| C_{ies} | Input Capacitance | $V_{GE} = 0V$ | | 4.4 | | nF |
| C_{oes} | Output Capacitance | $V_{CE} = 25V$ | | 0.29 | | |
| C_{res} | Reverse Transfer Capacitance | $f = 1MHz$ | | 0.24 | | |
| Q_G | Gate charge | $V_{GE} = \pm 15V; V_{CE} = 600V$ $I_C = 75A$ | | 0.57 | | μC |
| $T_{d(on)}$ | Turn-on Delay Time | Inductive Switching (25°C) $V_{GE} = \pm 15V$ $V_{Bus} = 600V$ $I_C = 75A$ $R_G = 2.2\Omega$ | | 130 | | ns |
| T_r | Rise Time | | | 20 | | |
| $T_{d(off)}$ | Turn-off Delay Time | | | 300 | | |
| T_f | Fall Time | | | 45 | | |
| $T_{d(on)}$ | Turn-on Delay Time | Inductive Switching (150°C) $V_{GE} = \pm 15V$ $V_{Bus} = 600V$ $I_C = 75A$ $R_G = 2.2\Omega$ | | 150 | | ns |
| T_r | Rise Time | | | 35 | | |
| $T_{d(off)}$ | Turn-off Delay Time | | | 350 | | |
| T_f | Fall Time | | | 80 | | |
| E_{on} | Turn-on Switching Energy | $V_{GE} = \pm 15V$ $V_{Bus} = 600V$ $I_C = 75A$ | $T_j = 25^\circ\text{C}$ $T_j = 150^\circ\text{C}$ | 3.4 8.5 | | mJ |
| E_{off} | Turn-off Switching Energy | $R_G = 2.2\Omega$ | $T_j = 25^\circ\text{C}$ $T_j = 150^\circ\text{C}$ | 4.2 7.2 | | mJ |
| I_{sc} | Short Circuit data | $V_{GE} \leq 15V; V_{Bus} = 900V$ $t_p \leq 10\mu\text{s}; T_j = 150^\circ\text{C}$ | | 300 | | A |

Chopper diode ratings and characteristics

| Symbol | Characteristic | Test Conditions | Min | Typ | Max | Unit |
|-----------|---|--|---|-------------|-----|---------------|
| V_{RRM} | Maximum Peak Repetitive Reverse Voltage | | 1200 | | | V |
| I_{RM} | Maximum Reverse Leakage Current | $V_R = 1200V$ | $T_j = 25^\circ\text{C}$ | | 250 | μA |
| I_F | DC Forward Current | | $T_c = 80^\circ\text{C}$ | 90 | | A |
| V_F | Diode Forward Voltage | $I_F = 75A$ $V_{GE} = 0V$ | $T_j = 25^\circ\text{C}$ $T_j = 150^\circ\text{C}$ | 1.7 1.65 | 2.2 | V |
| t_{rr} | Reverse Recovery Time | $I_F = 75A$ $V_R = 600V$ $di/dt = 1900A/\mu\text{s}$ | $T_j = 25^\circ\text{C}$ | 155 | | ns |
| | | | $T_j = 150^\circ\text{C}$ | 300 | | |
| Q_{rr} | Reverse Recovery Charge | | $T_j = 25^\circ\text{C}$ | 7.3 | | μC |
| | | | $T_j = 150^\circ\text{C}$ | 15.2 | | |
| E_r | Reverse Recovery Energy | | $T_j = 25^\circ\text{C}$ | 2.6 | | |
| | | $T_j = 150^\circ\text{C}$ | 5.5 | | | |

Thermal and package characteristics

| Symbol | Characteristic | Min | Typ | Max | Unit | |
|-------------------|--|-------------|-----|------|------|-----|
| R _{thJC} | Junction to Case Thermal Resistance | IGBT | | 0.39 | °C/W | |
| | | Diode | | 0.62 | | |
| V _{ISOL} | RMS Isolation Voltage, any terminal to case t=1 min, I _{isol} <1mA, 50/60Hz | 2500 | | | V | |
| T _J | Operating junction temperature range | -40 | | 175 | °C | |
| T _{STG} | Storage Temperature Range | -40 | | 125 | | |
| T _C | Operating Case Temperature | -40 | | 100 | | |
| Torque | Mounting torque | To heatsink | M4 | 2.5 | 4.7 | N.m |
| Wt | Package Weight | | | | 80 | g |

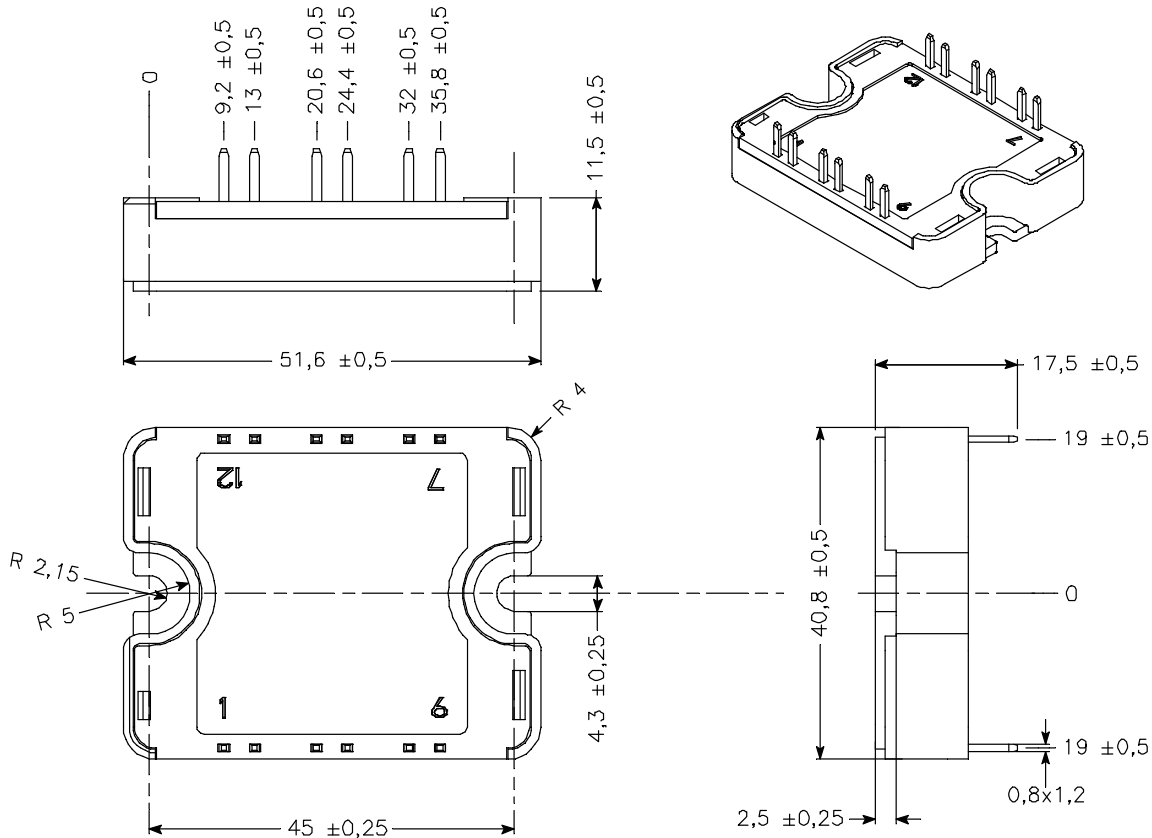
Temperature sensor NTC (see application note APT0406 on www.microsemi.com for more information).

| Symbol | Characteristic | Min | Typ | Max | Unit |
|-----------------------------------|----------------------------|-----|------|-----|------|
| R ₂₅ | Resistance @ 25°C | | 50 | | kΩ |
| ΔR ₂₅ /R ₂₅ | | | 5 | | % |
| B _{25/85} | T ₂₅ = 298.15 K | | 3952 | | K |
| ΔB/B | T _C = 100°C | | 4 | | % |

$$R_T = \frac{R_{25}}{\exp \left[B_{25/85} \left(\frac{1}{T_{25}} - \frac{1}{T} \right) \right]}$$

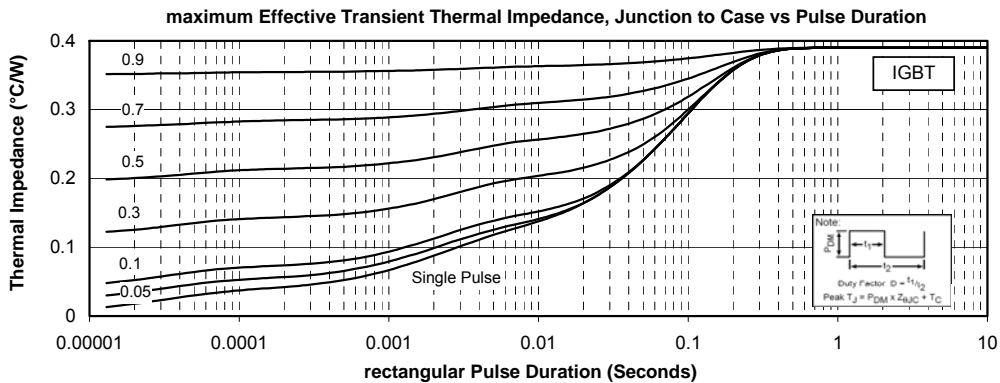
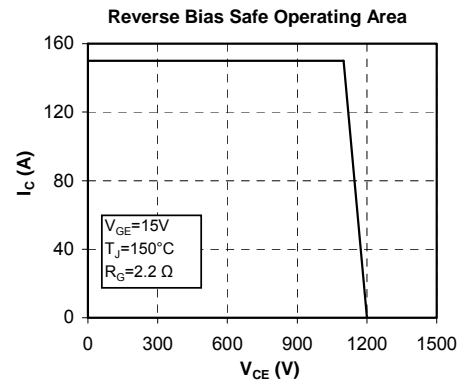
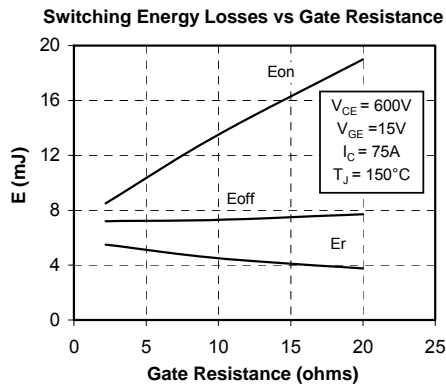
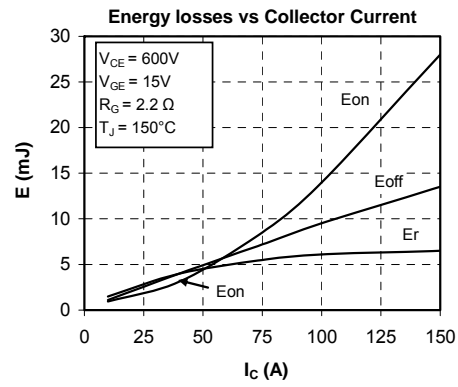
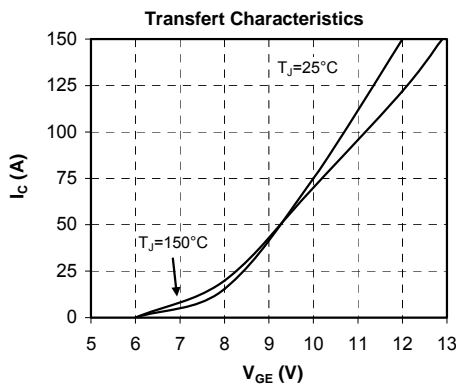
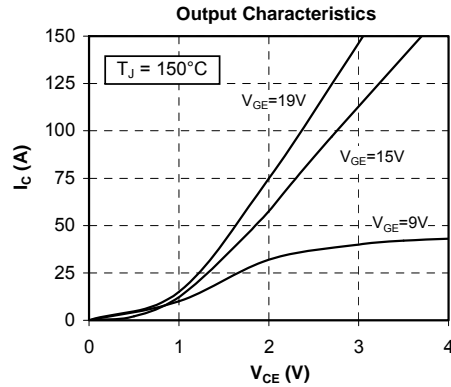
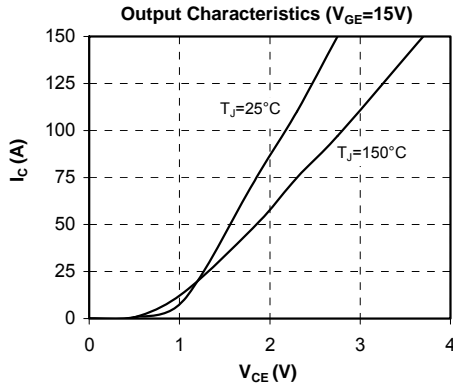
T: Thermistor temperature
 R_T: Thermistor value at T

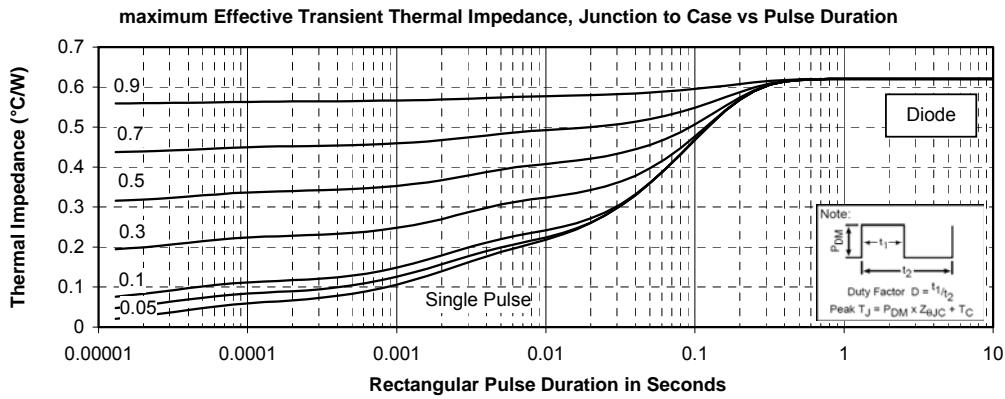
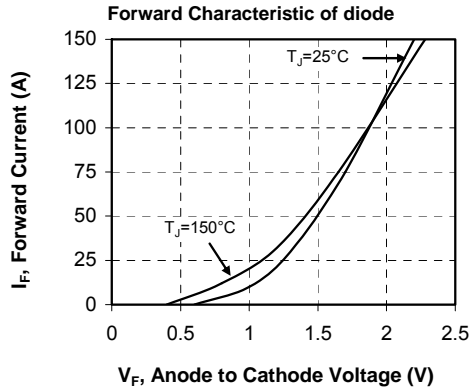
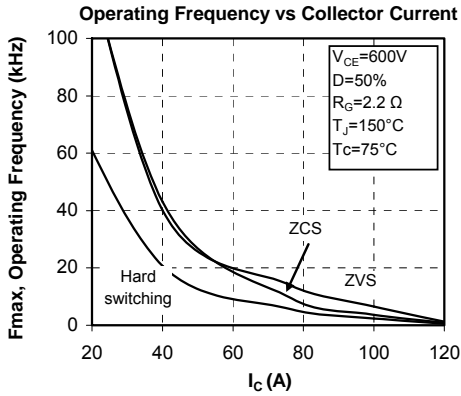
SP1 Package outline (dimensions in mm)



See application note 1904 - Mounting Instructions for SP1 Power Modules on www.microsemi.com

Typical Performance Curve





Microsemi reserves the right to change, without notice, the specifications and information contained herein

Microsemi's products are covered by one or more of U.S. patents 4,895,810 5,045,903 5,089,434 5,182,234 5,019,522 5,262,336 6,503,786 5,256,583 4,748,103 5,283,202 5,231,474 5,434,095 5,528,058 6,939,743 7,352,045 5,283,201 5,801,417 5,648,283 7,196,634 6,664,594 7,157,886 6,939,743 7,342,262 and foreign patents. U.S. and Foreign patents pending. All Rights Reserved.

Mouser Electronics

Authorized Distributor

Click to View Pricing, Inventory, Delivery & Lifecycle Information:

[Microchip:](#)

[APTGL90DA120T1G](#)