

SAM9X75 System-in-Package (SiP) MPU with 1-Gbit or 2-Gbit DDR3L SDRAM

SAM9X75 SiP



Scope

This document is an overview of the main features of the SAM9X75 SiP microprocessor. The sole reference documents for product information on SAM9X7 Series microprocessors and DDR3L SDRAM memories are listed in [Reference Documents](#).

Introduction

The SAM9X75 SiP integrates the ARM926 Arm[®] processor-based SAM9X75 MPU with an up to 2-Gbit DDR3L SDRAM. By combining the SAM9X75 with a DDR SDRAM in a single package, PCB routing complexity, area and number of layers are reduced in the majority of cases. This makes board design easier and more robust by facilitating design for EMI, ESD and signal integrity.

The following SDRAM memory types and densities are available:

- 1-Gbit DDR3L SDRAM
- 2-Gbit DDR3L SDRAM

Reference Documents

Type	Name	Available	Literature No.
Data sheet	SAM9X7 Series	www.microchip.com	DS60001813
Data sheet	8M × 8 BANKS × 16 BIT DDR3L SDRAM (1 Gbit)	www.winbond.com	W631GU6NB
Data sheet	16M × 8 BANKS × 16 BIT DDR3L SDRAM (2 Gbits)	www.winbond.com	W632GU6NB

Features

- CPU Running up to 800 MHz
 - ARM926EJ-S Arm Thumb[®] processor
 - 32-Kbyte data cache, 32-Kbyte instruction cache, Memory Management Unit (MMU)
- Memories
 - One 176-Kbyte internal ROM
 - 80-Kbyte internal ROM embedding a secure bootloader program supporting boot on NAND Flash, SD Card, SPI or QSPI Flash; bootloader features selectable by OTP bits
 - 96-Kbyte ROM for NAND Flash BCH ECC table
 - One 64-Kbyte internal SRAM (SRAM0), single cycle access at system speed
 - Internal DDR3L SDRAM running at up to 266 MHz
 - External Bus Interface (EBI) supporting:
 - 8-bit NAND Flash with up to 24-bit programmable multi-bit error correcting code
 - One 10-Kbyte OTP memory for secure key storage with Emulation mode (OTP bits are emulated by a 4-Kbyte SRAM (SRAM1))
- System Running up to 266 MHz

- Power-on reset cells, reset controller, shutdown controller, periodic interval timer, watchdog timer running on internal slow RC oscillator (32 kHz typical) and real-time clock running on slow crystal oscillator (32.768 kHz)
- Two internal trimmed RC oscillators with typical values: 32 kHz (slow) and 12 MHz (fast)
- Two crystal oscillators: 32.768 kHz (slow) and 20 to 50 MHz (fast)
- One PLL for the system and one PLL optimized for USB high-speed operation (480 MHz)
 - One PLL for audio operations, with dedicated output clock
 - One PLL in LVDS I/F (LVDS usage only)
 - One PLL in MIPI DPHY (MIPI DSI usage only)
- One dual-port 16-channel DMA controller
- Advanced interrupt controller and debug unit
- JTAG port with disable bit in OTP memory
- Two programmable clock output signals
- Low-Power Modes
 - Backup mode with RTC, eight 32-bit general purpose backup registers, and shutdown controller to control the external power supply
 - Clock generator and power management controller
 - Software-programmable ultra-low power modes: very slow clock operating mode (ULP0) and no-clock operating mode (ULP1) with fast wake-up capabilities
 - Software programmable power optimization capabilities
- Peripherals
 - LCD controller with overlay, alpha blending, rotation, scaling and color conversion; up to 720p resolution
 - RGB, LVDS, MIPI-DSI interfaces
 - 2D graphics controller supporting fill BLT, copy BLT, transparent BLT, blend/alpha BLT, ROP4 BLT (raster operations) and command ring buffer
 - Image sensor controller with ITU-R BT; 601/656/1120 video interface support up to 5 Mpixels; support of raw Bayer 12, YCbCr, monochrome and JPEG compressed sensors up to 12 bits
 - MIPI CSI2 I/F support
 - 12-bit parallel I/F support
 - One high-speed USB device, three high-speed USB hosts with dedicated on-chip transceivers
 - One 10/100/1000 Mbps Ethernet Mac controller with IEEE-1588 and TSN support, RGMII and RMII support
 - Two 4-bit secure digital multimedia card controllers
 - Two CAN FD controllers with timestamping
 - One Quad/Octal SPI controller
 - Two 3-channel 32-bit timers/counters
 - Two high-resolution (64-bit) periodic interval timers
 - One synchronous serial controller
 - One inter-IC sound multi-channel controller with TDM support
 - One audio class D controller with single-ended or bridge-tied load connection to power stage
 - One 4-channel 16-bit PWM controller
 - Thirteen FLEXCOMs (USART, SPI and TWI/I2C)
 - One 8-channel, 12-bit, analog-to-digital converter with 4/5 wires resistive touchscreen support

- Hardware Cryptography
 - SHA (SHA1, SHA224, SHA256, SHA384, SHA512) and HMAC compliant with FIPS PUB 180
 - AES: 256-, 192-, 128-bit key algorithms compliant with FIPS PUB 197
 - AES/SHA tight coupling for IPsec hardware acceleration
 - TDES: 2-key or 3-key algorithms compliant with FIPS PUB 46
 - True random number generator compliant with NIST Special Publication 800-22 Test Suite and FIPS PUBS 140-2 and 140-3
 - Key bus providing private key transfers between AES, TDES, TRNG, OTPC
 - Physical Unclonable Function (PUF) including NIST SP 800-90B (DRNG) and embedding four Kbytes of SRAM (PUFSRAM)
- I/O Ports
 - Four 32-bit parallel input/output controllers
 - Up to 106 programmable I/O lines multiplexed with up to four peripheral I/Os
 - Input change interrupt capability on each I/O line, optional Schmitt trigger input
 - Individually programmable open-drain, pull-up and pull-down resistors, synchronous output
 - General-purpose analog and digital inputs tolerant to positive and negative current injection
- Package
 - 16x16 mm², 0.8-mm pitch, 243-ball BGA optimized for standard class PCB layout (down to four layers)
- Design for low ElectroMagnetic Interference (EMI)
 - Slewrate-controlled I/Os
 - DDR PHY with impedance-calibrated drivers
 - Spread spectrum PLLs
 - BGA power/ground ball assignment to provide optimum decoupling capacitors placement
- Operating Conditions
 - Junction temperature (T_J) range: -40°C to +125°C
 - Ambient temperature (T_A) range: -40°C to +85°C

1. DDR3L SDRAM Features

The SAM9X75 SiP is available with 1-Gbit and 2-Gbit DDR3L SDRAM memory options.

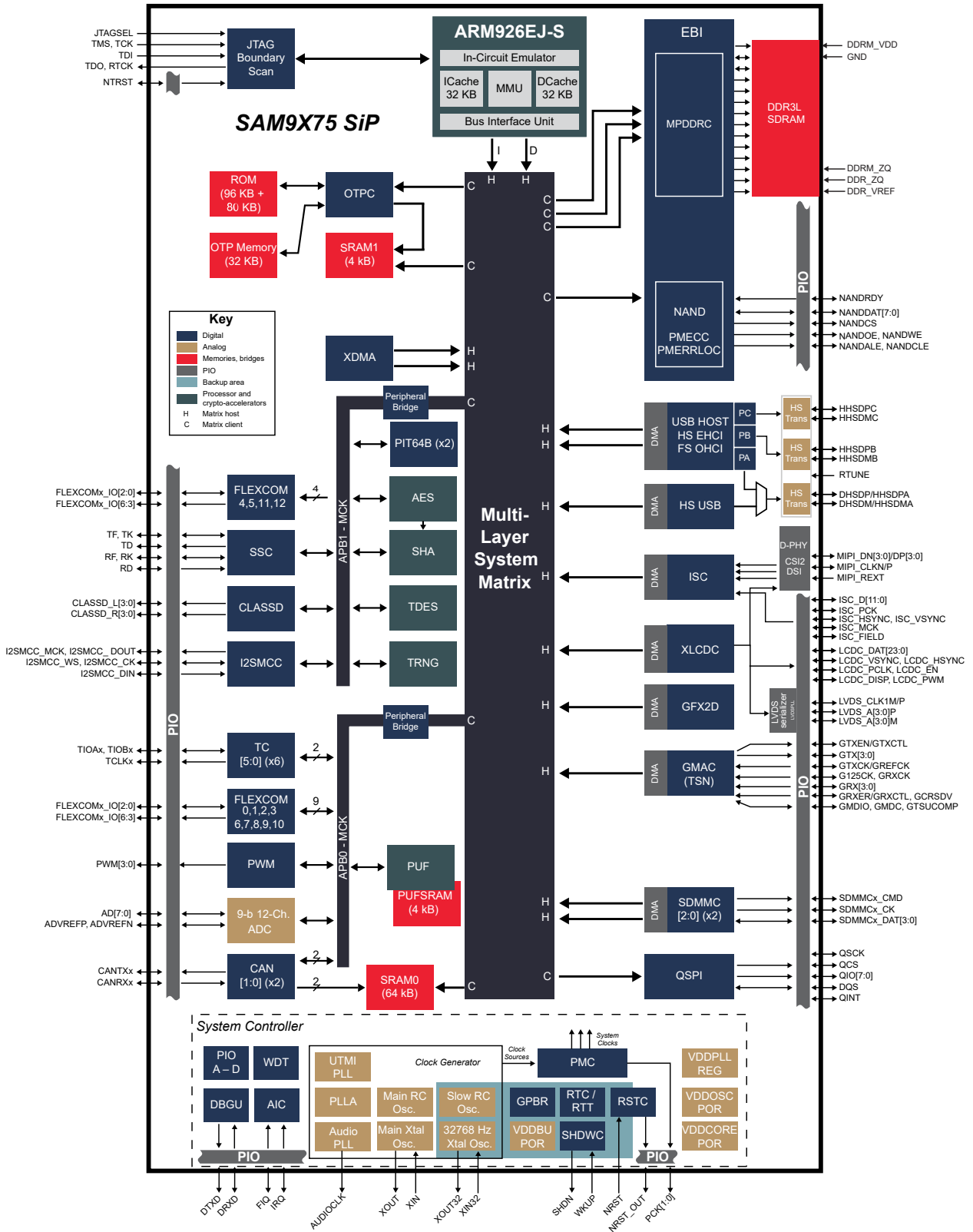
For power consumption, electrical characteristics and timings of these memories, refer to the manufacturer's documentation listed in [Reference Documents](#).

- Power supply: DDRM_VDD = 1.283V to 1.45V
- 2-Kbyte page size (x16)
- 8-bank operation controlled by BA0, BA1 and BA2
- Burst lengths (BL): 8 and 4 with Burst Chop (BC)
- Precharge: auto-precharge option for each burst access
- Auto-Refresh and Self-Refresh modes
- Average refresh period:
 - 7.8 μ s at $t_j \leq +85^\circ\text{C}$
 - 3.9 μ s at $t_j \leq +105^\circ\text{C}$
 - 1.95 μ s at $t_j \leq +125^\circ\text{C}$
- High-speed data transfer realized by the 8-bit prefetch pipelined architecture
- Double Data Rate architecture: two data transfers per clock cycle
- Bidirectional differential data strobe (DQS and /DQS) transmitted/received with data for capturing data at the receiver
- DQS edge-aligned with data for reads and center-aligned with data for writes
- Differential clock inputs (CK and /CK)
- DLL aligns DQ and DQS transitions with CK transitions
- Commands entered on each positive CK edge; data and data mask referenced to both edges of DQS
- Data mask (DM) for write data
- Posted CAS by programmable additive latency for better command and data bus efficiency
- MultiPurpose Register (MPR) for predefined pattern read out
- ZQ calibration for DQ drive and ODT
- Programmable Partial Array Self-Refresh (PASR)
- Reset pin for power-up sequence and reset function
- Self-Refresh Temperature (SRT) range: normal/extended
- Automatic Self-Refresh (ASR)
- Programmable output driver impedance control

2. Configuration Summary

Feature	SAM9X75D1G	SAM9X75D2G
Package	BGA243, 16x16mm ² , pitch 0.8 mm	
EBI	8-bit NAND Flash controller	
SDRAM embedded in SiP	1-Gbit DDR3L SDRAM	2-Gbit DDR3L SDRAM
MIPI DPHY	Bidirectional, 4 lanes	
PIOs	106	
SRAM0/SRAM1	64/4 Kbytes	
Quad/Octal SPI	1	
LCD + GFX2D	LVDS, MIPI DSI, RGB interface	
Camera interface (ISC)	MIPI CSI2, parallel port	
GMAC	10/100/1000 with IEEE 1588 and TSN	
CAN-FD	2	
USB	3 (3 hosts or 2 host/1 device)	
UART/SPI/I2C	13	
SDIO/SD/MMC	2	
I2SMCC/SSC/Class D	1/1/1	
ADC inputs	8 (8 channels)	
64-bit timers/32-bit timers	2/6	
PWM	4 (PWMC)	
Cryptography	AES/TDES/SHA/TRNG	

3. Block Diagram



4. Chip Identifier

Table 4-1. Chip ID and Extended ID Definition

Chip Name	CHIPID_CIDR	CHIPID_EXID
SAM9X75D1G	0x89750030	0x00000018
SAM9X75D2G		0x00000020

5. Package and Pinout

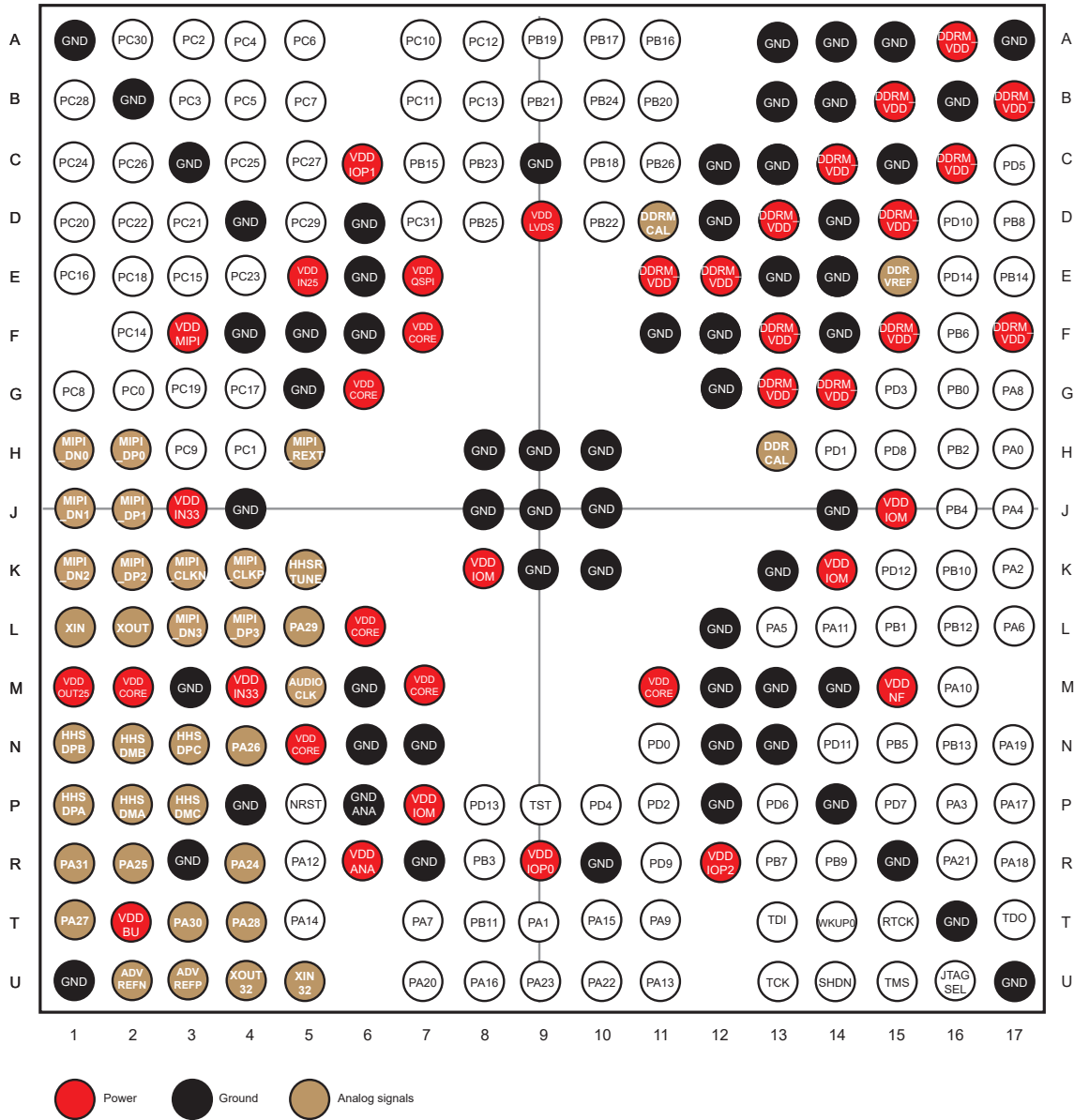
1-Gbit and 2-Gbit SAM9X75 SiP devices are pin-to-pin compatible.

Package Name	Ball Count	Ball Pitch	Package Size
TFBGA243	243	0.8 mm	16 x 16 (mm)

For further details, see [Mechanical Characteristics](#).

5.1 TFBGA243 Package

Figure 5-1. 243-Ball TFBGA Pinout



5.2 Ball Description

Table 5-1. Ball Description

BGA243 Pins	Power Rail	I/O Type	Primary		Alternate		PIO Peripheral				Reset State
			Signal	Dir	Signal	Dir	Func	Signal	Dir	I/O Set	Signal, Dir, PU, PD, HiZ, ST, SEC, FILTER
H17	VDDIOP0	GPIO	PA0	I/O	-	-	A	SDMMC0_DAT0	I/O	1	PIO, I, PU, ST
T9	VDDIOP0	GPIO	PA1	I/O	-	-	A	SDMMC0_CMD	I/O	1	PIO, I, PU, ST
K17	VDDIOP0	GPIO	PA2	I/O	WKUP1	-	A	SDMMC0_CK	I/O	1	PIO, I, PU, ST
P16	VDDIOP0	GPIO	PA3	I/O	-	-	A	SDMMC0_DAT1	I/O	1	PIO, I, PU, ST
J17	VDDIOP0	GPIO	PA4	I/O	-	-	A	SDMMC0_DAT2	I/O	1	PIO, I, PU, ST
L13	VDDIOP0	GPIO	PA5	I/O	-	-	A	SDMMC0_DAT3	I/O	1	PIO, I, PU, ST
L17	VDDIOP0	GPIO	PA6	I/O	-	-	A	FLEXCOM0_IO4	O	1	PIO, I, PU, ST
							B	SDMMC1_DAT1	I/O	1	
T7	VDDIOP0	GPIO	PA7	I/O	WKUP2	-	A	FLEXCOM0_IO3	I/O	1	PIO, I, PU, ST
							B	SDMMC1_DAT2	I/O	1	
G17	VDDIOP0	GPIO	PA8	I/O	WKUP3	-	A	FLEXCOM0_IO2	I/O	1	PIO, I, PU, ST
							B	SDMMC1_DAT3	I/O	1	
T11	VDDIOP0	GPIO	PA9	I/O	-	-	A	FLEXCOM4_IO1	I/O	1,2	PIO, I, PU, ST
							B	SDMMC1_DAT0	I/O	1	
M16	VDDIOP0	GPIO	PA10	I/O	-	-	A	FLEXCOM4_IO0	I/O	1,2	PIO, I, PU, ST
							B	SDMMC1_CMD	I/O	1	
L14	VDDIOP0	GPIO	PA11	I/O	-	-	A	FLEXCOM4_IO2	I/O	1,2	PIO, I, PU, ST
							B	SDMMC1_CK	I/O	1	
R5	VDDIOP0	GPIO	PA12	I/O	-	-	A	FLEXCOM4_IO3	I/O	1,2	PIO, I, PU, ST
							C	FLEXCOM5_IO4	O	1	
U11	VDDIOP0	GPIO	PA13	I/O	-	-	A	FLEXCOM2_IO0	I/O	1	PIO, I, PU, ST
							B	FLEXCOM4_IO4	O	1	
T5	VDDIOP0	GPIO	PA14	I/O	-	-	A	FLEXCOM2_IO1	I/O	1	PIO, I, PU, ST
							B	FLEXCOM5_IO3	I/O	1,2	
							C	FLEXCOM4_IO5	O	1	
T10	VDDIOP0	GPIO	PA15	I/O	-	-	A	TIOA0	I/O	1	PIO, I, PU, ST
							B	FLEXCOM5_IO1	I/O	1,2	
							C	CLASSD_R0	O	1	

.....continued

BGA243 Pins	Power Rail	I/O Type	Primary		Alternate		PIO Peripheral				Reset State
			Signal	Dir	Signal	Dir	Func	Signal	Dir	I/O Set	Signal, Dir, PU, PD, HiZ, ST, SEC, FILTER
U8	VDDIOP0	GPIO	PA16	I/O	-	-	A	TIOA1	I/O	1	PIO, I, PU, ST
							B	FLEXCOM5_IO0	I/O	1,2	
							C	CLASSD_R1	O	1	
P17	VDDIOP0	GPIO	PA17	I/O	-	-	A	TIOA2	I/O	1	PIO, I, PU, ST
							B	FLEXCOM5_IO2	I/O	1,2	
							C	CLASSD_R2	O	1	
R17	VDDIOP0	GPIO	PA18	I/O	-	-	A	TCLK0	I	1	PIO, I, PU, ST
							B	TK	I/O	1	
							C	CLASSD_L0	O	1	
N17	VDDIOP0	GPIO	PA19	I/O	-	-	A	TCLK1	I	1	PIO, I, PU, ST
							B	TF	I/O	1	
							C	CLASSD_L1	O	1	
U7	VDDIOP0	GPIO	PA20	I/O	WKUP4	-	A	TCLK2	I	1	PIO, I, PU, ST
							B	TD	O	1	
							C	CLASSD_L2	O	1	
R16	VDDIOP0	GPIO	PA21	I/O	-	-	A	TIOB0	I/O	1	PIO, I, PU, ST
							B	RD	I	1	
							C	CLASSD_L3	O	1	
U10	VDDIOP0	GPIO	PA22	I/O	-	-	A	TIOB1	I/O	1	PIO, I, PU, ST
							B	RK	I/O	1	
							C	CLASSD_R3	O	1	
U9	VDDIOP0	GPIO	PA23	I/O	-	-	A	TIOB2	I/O	1	PIO, I, PU, ST
							B	RF	I/O	1	
							C	FLEXCOM2_IO7	I	1	
R4	VDDANA	GPIO	PA24	I/O	AD0	-	A	FLEXCOM6_IO0	I/O	1	PIO, I, PU, ST
							B	FLEXCOM5_IO6	O	1	
R2	VDDANA	GPIO	PA25	I/O	AD1	-	A	FLEXCOM6_IO1	I/O	1	PIO, I, PU, ST
							B	FLEXCOM5_IO5	O	1	
N4	VDDANA	GPIO	PA26	I/O	AD2	-	A	DRXD	I	1	PIO, I, PU, ST
							B	CANRX0	I	1	
T1	VDDANA	GPIO	PA27	I/O	AD3	-	A	DTXD	O	1	PIO, I, PU, ST
							B	CANTX0	O	1	

.....continued

BGA243 Pins	Power Rail	I/O Type	Primary		Alternate		PIO Peripheral				Reset State
			Signal	Dir	Signal	Dir	Func	Signal	Dir	I/O Set	Signal, Dir, PU, PD, HiZ, ST, SEC, FILTER
T4	VDDANA	GPIO	PA28	I/O	AD4	-	A	FLEXCOM1_IO0	I/O	1	PIO, I, PU, ST
							B	CANTX1	O	1	
L5	VDDANA	GPIO	PA29	I/O	AD5	-	A	FLEXCOM1_IO1	I/O	1	PIO, I, PU, ST
							B	CANRX1	I	1	
T3	VDDANA	GPIO	PA30	I/O	AD6	-	A	FLEXCOM0_IO0	I/O	1	PIO, I, PU, ST
							B	FLEXCOM5_IO4	O	2	
							C	FLEXCOM4_IO4	O	2	
R1	VDDANA	GPIO	PA31	I/O	AD7	-	A	FLEXCOM0_IO1	I/O	1	PIO, I, PU, ST
							B	FLEXCOM4_IO5	O	2	
							C	GTSUCOMP	O	1	
G16	VDDIOP2	GPIO	PB0	I/O	WKUP5	-	A	GRX2	I	1	PIO, I, PU, ST
							B	FLEXCOM2_IO4	O	1	
							C	GRXER	I	1	
L15	VDDIOP2	GPIO	PB1	I/O	-	-	A	GRX3	I	1	PIO, I, PU, ST
							B	FLEXCOM2_IO3	I/O	1	
H16	VDDIOP2	GPIO	PB2	I/O	-	-	A	G125CK	I	1	PIO, I, PU, ST
							B	FLEXCOM2_IO2	I/O	1	
R8	VDDIOP2	GPIO	PB3	I/O	WKUP6	-	A	GCRSDV/GRXCTL	I	1	PIO, I, PU, ST
							B	FLEXCOM4_IO6	O	1	
J16	VDDIOP2	GPIO	PB4	I/O	-	-	A	GTX2	O	1	PIO, I, PU, ST
							B	FLEXCOM8_IO0	I/O	1	
N15	VDDIOP2	GPIO	PB5	I/O	-	-	A	GTX3	O	1	PIO, I, PU, ST
							B	FLEXCOM8_IO1	I/O	1	
F16	VDDIOP2	GPIO	PB6	I/O	-	-	A	GTXCK/GREFCK	I/O	1	PIO, I, PU, ST
							B	FLEXCOM0_IO7	I	1	
R13	VDDIOP2	GPIO	PB7	I/O	-	-	A	GTXEN/GTXCTL	O	1	PIO, I, PU, ST
							C	FLEXCOM6_IO2	I/O	1	
D17	VDDIOP2	GPIO	PB8	I/O	-	-	A	GRXCK	I	1	PIO, I, PU, ST
							C	FLEXCOM6_IO3	I/O	1	
R14	VDDIOP2	GPIO	PB9	I/O	-	-	A	GMDIO	I/O	1	PIO, I, PU, ST
							B	PCK1	O	1	
							C	FLEXCOM6_IO4	O	1	

.....continued

BGA243 Pins	Power Rail	I/O Type	Primary		Alternate		PIO Peripheral				Reset State
			Signal	Dir	Signal	Dir	Func	Signal	Dir	I/O Set	Signal, Dir, PU, PD, HiZ, ST, SEC, FILTER
K16	VDDIOP2	GPIO	PB10	I/O	-	-	A	GMDC	O	1	PIO, I, PU, ST
							B	PCK0	O	1	
							C	FLEXCOM8_IO2	I/O	1	
T8	VDDIOP2	GPIO	PB11	I/O	-	-	A	GRX0	I	1	PIO, I, PU, ST
							B	PWM0	O	2	
							C	FLEXCOM8_IO3	I/O	1	
L16	VDDIOP2	GPIO	PB12	I/O	-	-	A	GRX1	I	1	PIO, I, PU, ST
							B	PWM1	O	2	
							C	FLEXCOM8_IO4	O	1	
N16	VDDIOP2	GPIO	PB13	I/O	-	-	A	GTX0	O	1	PIO, I, PU, ST
							B	PWM2	O	2	
E17	VDDIOP2	GPIO	PB14	I/O	-	-	A	GTX1	O	1	PIO, I, PU, ST
							B	PWM3	O	2	
C7	VDDQSPI	GPIO	PB15	I/O	-	-	A	QIO5	I/O	1	PIO, I, PU, ST
							C	FLEXCOM11_IO0	I/O	1	
							D	I2SMCC_WS	I/O	1	
A11	VDDQSPI	GPIO	PB16	I/O	-	-	A	QIO6	I/O	1	PIO, I, PU, ST
							C	FLEXCOM11_IO1	I/O	1	
							D	I2SMCC_DIN0	I	1	
A10	VDDQSPI	GPIO	PB17	I/O	-	-	A	QIO7	I/O	1	PIO, I, PU, ST
							C	FLEXCOM12_IO0	I/O	1	
C10	VDDQSPI	GPIO	PB18	I/O	WKUP7	-	A	QDQS	I	1	PIO, I, PU, ST
							B	ADTRG	I	1	
							C	FLEXCOM12_IO1	I/O	1	
							D	IRQ	I	1	
A9	VDDQSPI	GPIO	PB19	I/O	-	-	A	QSCK	O	1	PIO, I, PU, ST
							C	FLEXCOM12_IO2	I/O	1	
B11	VDDQSPI	GPIO	PB20	I/O	-	-	A	QCS	O	1	PIO, I, PU, ST
							C	FLEXCOM12_IO3	I/O	1	
B9	VDDQSPI	GPIO	PB21	I/O	-	-	A	QIO0	I/O	1	PIO, I, PU, ST
							C	FLEXCOM12_IO4	O	1	

.....continued

BGA243 Pins	Power Rail	I/O Type	Primary		Alternate		PIO Peripheral				Reset State
			Signal	Dir	Signal	Dir	Func	Signal	Dir	I/O Set	Signal, Dir, PU, PD, HiZ, ST, SEC, FILTER
D10	VDDQSPI	GPIO	PB22	I/O	-	-	A	QIO1	I/O	1	PIO, I, PU, ST
							C	FLEXCOM9_IO2	I/O	1	
C8	VDDQSPI	GPIO	PB23	I/O	-	-	A	QIO2	I/O	1	PIO, I, PU, ST
							C	FLEXCOM9_IO3	I/O	1	
B10	VDDQSPI	GPIO	PB24	I/O	-	-	A	QIO3	I/O	1	PIO, I, PU, ST
							C	FLEXCOM9_IO4	O	1	
D8	VDDQSPI	GPIO	PB25	I/O	WKUP8	-	A	QINT	I	1	PIO, I, PU, ST
							D	I2SMCC_MCK	O	1	
C11	VDDQSPI	GPIO	PB26	I/O	-	-	A	QIO4	I/O	1	PIO, I, PU, ST
							D	I2SMCC_CK	I/O	1	
G2	VDDIOP1	GPIO	PC0	I/O	-	-	A	LCDC_DAT0	O	1	PIO, I, PU, ST
							B	ISC_D0	I	1	
							C	FLEXCOM7_IO0	I/O	1	
H4	VDDIOP1	GPIO	PC1	I/O	-	-	A	LCDC_DAT1	O	1	PIO, I, PU, ST
							B	ISC_D1	I	1	
							C	FLEXCOM7_IO1	I/O	1	
A3	VDDLVD5	GPIO	PC2	I/O	LVDS_A0M	-	A	LCDC_DAT2	O	1	PIO, I, PU, ST
							B	ISC_D2	I	1	
							C	TIOA3	I/O	1	
B3	VDDLVD5	GPIO	PC3	I/O	LVDS_A0P	-	A	LCDC_DAT3	O	1	PIO, I, PU, ST
							B	ISC_D3	I	1	
							C	TIOB3	I/O	1	
A4	VDDLVD5	GPIO	PC4	I/O	LVDS_A1M	-	A	LCDC_DAT4	O	1	PIO, I, PU, ST
							B	ISC_D4	I	1	
							C	TCLK3	I	1	
B4	VDDLVD5	GPIO	PC5	I/O	LVDS_A1P	-	A	LCDC_DAT5	O	1	PIO, I, PU, ST
							B	ISC_D5	I	1	
							C	TIOA4	I/O	1	
A5	VDDLVD5	GPIO	PC6	I/O	LVDS_A2M	-	A	LCDC_DAT6	O	1	PIO, I, PU, ST
							B	ISC_D6	I	1	
							C	TIOB4	I/O	1	

.....continued

BGA243 Pins	Power Rail	I/O Type	Primary		Alternate		PIO Peripheral				Reset State
			Signal	Dir	Signal	Dir	Func	Signal	Dir	I/O Set	Signal, Dir, PU, PD, HiZ, ST, SEC, FILTER
B5	VDDLVD5	GPIO	PC7	I/O	LVDS_A2P	-	A	LCDC_DAT7	O	1	PIO, I, PU, ST
							B	ISC_D7	I	1	
							C	TCLK4	I	1	
G1	VDDIOP1	GPIO	PC8	I/O	-	-	A	LCDC_DAT8	O	1	PIO, I, PU, ST
							B	ISC_D8	I	1	
							C	FLEXCOM9_IO0	I/O	1	
H3	VDDIOP1	GPIO	PC9	I/O	-	-	A	LCDC_DAT9	O	1	PIO, I, PU, ST
							B	ISC_D9	I	1	
							C	FLEXCOM9_IO1	I/O	1	
A7	VDDLVD5	GPIO	PC10	I/O	LVDS_CLK1M	-	A	LCDC_DAT10	O	1	PIO, I, PU, ST
							B	ISC_D10	I	1	
							C	PWM0	O	3	
B7	VDDLVD5	GPIO	PC11	I/O	LVDS_CLK1P	-	A	LCDC_DAT11	O	1	PIO, I, PU, ST
							B	ISC_D11	I	1	
							C	PWM1	O	3	
A8	VDDLVD5	GPIO	PC12	I/O	LVDS_A3M	-	A	LCDC_DAT12	O	1	PIO, I, PU, ST
							B	ISC_PCK	I	1	
							C	TIOA5	I/O	1	
B8	VDDLVD5	GPIO	PC13	I/O	LVDS_A3P	-	A	LCDC_DAT13	O	1	PIO, I, PU, ST
							B	ISC_VSYNC	I	1	
							C	TIOB5	I/O	1	
F2	VDDIOP1	GPIO	PC14	I/O	-	-	A	LCDC_DAT14	O	1	PIO, I, PU, ST
							B	ISC_HSYNC	I	1	
							C	TCLK5	I	1	
E3	VDDIOP1	GPIO	PC15	I/O	-	-	A	LCDC_DAT15	O	1	PIO, I, PU, ST
							B	ISC_MCK	O	1	
							C	PCK0	O	2	
E1	VDDIOP1	GPIO	PC16	I/O	-	-	A	LCDC_DAT16	O	1	PIO, I, PU, ST
							B	ISC_FIELD	I	1	
							C	FLEXCOM10_IO0	I/O	1	

.....continued

BGA243 Pins	Power Rail	I/O Type	Primary		Alternate		PIO Peripheral				Reset State
			Signal	Dir	Signal	Dir	Func	Signal	Dir	I/O Set	Signal, Dir, PU, PD, HiZ, ST, SEC, FILTER
G4	VDDIOP1	GPIO	PC17	I/O	-	-	A	LCDC_DAT17	O	1	PIO, I, PU, ST
							B	FLEXCOM1_IO7	I	1	
							C	FLEXCOM10_IO1	I/O	1	
E2	VDDIOP1	GPIO	PC18	I/O	-	-	A	LCDC_DAT18	O	1	PIO, I, PU, ST
							B	FLEXCOM10_IO2	I/O	1	
							C	PWM0	O	1	
G3	VDDIOP1	GPIO	PC19	I/O	-	-	A	LCDC_DAT19	O	1	PIO, I, PU, ST
							B	FLEXCOM10_IO3	I/O	1	
							C	PWM1	O	1	
D1	VDDIOP1	GPIO	PC20	I/O	-	-	A	LCDC_DAT20	O	1	PIO, I, PU, ST
							B	FLEXCOM10_IO4	O	1	
							C	PWM2	O	1	
D3	VDDIOP1	GPIO	PC21	I/O	-	-	A	LCDC_DAT21	O	1	PIO, I, PU, ST
							C	PWM3	O	1	
D2	VDDIOP1	GPIO	PC22	I/O	-	-	A	LCDC_DAT22	O	1	PIO, I, PU, ST
							B	FLEXCOM3_IO0	I/O	1	
E4	VDDIOP1	GPIO	PC23	I/O	WKUP9	-	A	LCDC_DAT23	O	1	PIO, I, PU, ST
							B	FLEXCOM3_IO1	I/O	1	
C1	VDDIOP1	GPIO	PC24	I/O	WKUP10	-	A	LCDC_DISP	O	1	PIO, I, PU, ST
							B	FLEXCOM3_IO4	O	1	
C4	VDDIOP1	GPIO	PC25	I/O	WKUP12	-	A	NTRST	I	1	NRST_OUT, O, PD
							B	FLEXCOM3_IO3	I/O	1	
							C	NRST_OUT	O	1	
C2	VDDIOP1	GPIO	PC26	I/O	WKUP13	-	A	LCDC_PWM	O	1	PIO, I, PU, ST
							B	FLEXCOM3_IO2	I/O	1	
C5	VDDIOP1	GPIO	PC27	I/O	-	-	A	LCDC_VSYNC	O	1	PIO, I, PU, ST
							C	FLEXCOM1_IO4	O	1	
B1	VDDIOP1	GPIO	PC28	I/O	-	-	A	LCDC_HSYNC	O	1	PIO, I, PU, ST
							C	FLEXCOM1_IO3	I/O	1	
D5	VDDIOP1	GPIO	PC29	I/O	-	-	A	LCDC_DEN	O	1	PIO, I, PU, ST
							C	FLEXCOM1_IO2	I/O	1	

.....continued

BGA243 Pins	Power Rail	I/O Type	Primary		Alternate		PIO Peripheral				Reset State
			Signal	Dir	Signal	Dir	Func	Signal	Dir	I/O Set	Signal, Dir, PU, PD, HiZ, ST, SEC, FILTER
A2	VDDIOP1	GPIO	PC30	I/O	-	-	A	LCDC_PCK	O	1	PIO, I, PU, ST
							C	FLEXCOM3_IO7	I	1	
D7	VDDIOP1	GPIO	PC31	I/O	WKUP11	-	A	FIQ	I	1	PIO, I, PU, ST
							C	PCK1	O	2	
N11	VDDNF	GPIO	PD0	I/O	-	-	A	NANDOE	O	1	PIO, I, PU
							C	FLEXCOM7_IO2	I/O	1	
H14	VDDNF	GPIO	PD1	I/O	-	-	A	NANDWE	O	1	PIO, I, PU
							C	FLEXCOM7_IO3	I/O	1	
P11	VDDNF	GPIO	PD2	I/O	-	-	A	NANDALE	O	1	A21,O, PD
							C	FLEXCOM7_IO4	O	1	
G15	VDDNF	GPIO	PD3	I/O	-	-	A	NANDCLE	O	1	A22,O, PD
							C	FLEXCOM11_IO2	I/O	1	
P10	VDDNF	GPIO	PD4	I/O	-	-	A	NANDCS	O	1	PIO, I, PU
							C	FLEXCOM11_IO3	I/O	1	
C17	VDDNF	GPIO	PD5	I/O	-	-	C	FLEXCOM11_IO4	O	1	PIO, I, PU
P13	VDDNF	GPIO	PD6	I/O	-	-	A	NANDDAT0	I/O	1	PIO, I, PU
P15	VDDNF	GPIO	PD7	I/O	-	-	A	NANDDAT1	I/O	1	PIO, I, PU
H15	VDDNF	GPIO	PD8	I/O	-	-	A	NANDDAT2	I/O	1	PIO, I, PU
R11	VDDNF	GPIO	PD9	I/O	-	-	A	NANDDAT3	I/O	1	PIO, I, PU
D16	VDDNF	GPIO	PD10	I/O	-	-	A	NANDDAT4	I/O	1	PIO, I, PU
N14	VDDNF	GPIO	PD11	I/O	-	-	A	NANDDAT5	I/O	1	PIO, I, PU
K15	VDDNF	GPIO	PD12	I/O	-	-	A	NANDDAT6	I/O	1	PIO, I, PU
P8	VDDNF	GPIO	PD13	I/O	-	-	A	NANDDAT7	I/O	1	PIO, I, PU
E16	VDDNF	GPIO	PD14	I/O	-	-	A	NANDRDY	I	1	PIO, I, PU
A1	GND	ground	GND	I	-	-	-	-	-	-	-
A13	GND	ground	GND	I	-	-	-	-	-	-	-
A14	GND	ground	GND	I	-	-	-	-	-	-	-
A15	GND	ground	GND	I	-	-	-	-	-	-	-
A17	GND	ground	GND	I	-	-	-	-	-	-	-
B2	GND	ground	GND	I	-	-	-	-	-	-	-
B13	GND	ground	GND	I	-	-	-	-	-	-	-
B14	GND	ground	GND	I	-	-	-	-	-	-	-

.....continued

BGA243 Pins	Power Rail	I/O Type	Primary		Alternate		Func	PIO Peripheral			Reset State
			Signal	Dir	Signal	Dir		Signal	Dir	I/O Set	Signal, Dir, PU, PD, HiZ, ST, SEC, FILTER
B16	GND	ground	GND		-	-	-	-	-	-	-
C3	GND	ground	GND		-	-	-	-	-	-	-
C9	GND	ground	GND		-	-	-	-	-	-	-
C12	GND	ground	GND		-	-	-	-	-	-	-
C13	GND	ground	GND		-	-	-	-	-	-	-
C15	GND	ground	GND		-	-	-	-	-	-	-
D4	GND	ground	GND		-	-	-	-	-	-	-
D6	GND	ground	GND		-	-	-	-	-	-	-
D12	GND	ground	GND		-	-	-	-	-	-	-
D14	GND	ground	GND		-	-	-	-	-	-	-
E6	GND	ground	GND		-	-	-	-	-	-	-
E13	GND	ground	GND		-	-	-	-	-	-	-
E14	GND	ground	GND		-	-	-	-	-	-	-
F4	GND	ground	GND		-	-	-	-	-	-	-
F5	GND	ground	GND		-	-	-	-	-	-	-
F6	GND	ground	GND		-	-	-	-	-	-	-
F11	GND	ground	GND		-	-	-	-	-	-	-
F12	GND	ground	GND		-	-	-	-	-	-	-
F14	GND	ground	GND		-	-	-	-	-	-	-
G5	GND	ground	GND		-	-	-	-	-	-	-
G12	GND	ground	GND		-	-	-	-	-	-	-
H8	GND	ground	GND		-	-	-	-	-	-	-
H9	GND	ground	GND		-	-	-	-	-	-	-
H10	GND	ground	GND		-	-	-	-	-	-	-
J4	GND	ground	GND		-	-	-	-	-	-	-
J8	GND	ground	GND		-	-	-	-	-	-	-
J9	GND	ground	GND		-	-	-	-	-	-	-
J10	GND	ground	GND		-	-	-	-	-	-	-
J14	GND	ground	GND		-	-	-	-	-	-	-
K9	GND	ground	GND		-	-	-	-	-	-	-
K10	GND	ground	GND		-	-	-	-	-	-	-
K13	GND	ground	GND		-	-	-	-	-	-	-

.....continued

BGA243 Pins	Power Rail	I/O Type	Primary		Alternate		Func	PIO Peripheral			Reset State
			Signal	Dir	Signal	Dir		Signal	Dir	I/O Set	Signal, Dir, PU, PD, HiZ, ST, SEC, FILTER
L12	GND	ground	GND		-	-	-	-	-	-	-
M3	GND	ground	GND		-	-	-	-	-	-	-
M6	GND	ground	GND		-	-	-	-	-	-	-
M12	GND	ground	GND		-	-	-	-	-	-	-
M13	GND	ground	GND		-	-	-	-	-	-	-
M14	GND	ground	GND		-	-	-	-	-	-	-
N6	GND	ground	GND		-	-	-	-	-	-	-
N7	GND	ground	GND		-	-	-	-	-	-	-
N12	GND	ground	GND		-	-	-	-	-	-	-
N13	GND	ground	GND		-	-	-	-	-	-	-
P4	GND	ground	GND		-	-	-	-	-	-	-
P12	GND	ground	GND		-	-	-	-	-	-	-
P14	GND	ground	GND		-	-	-	-	-	-	-
R3	GND	ground	GND		-	-	-	-	-	-	-
R7	GND	ground	GND		-	-	-	-	-	-	-
R10	GND	ground	GND		-	-	-	-	-	-	-
R15	GND	ground	GND		-	-	-	-	-	-	-
T16	GND	ground	GND		-	-	-	-	-	-	-
U1	GND	ground	GND		-	-	-	-	-	-	-
U17	GND	ground	GND		-	-	-	-	-	-	-
J15	VDDIOM	power	VDDIOM		-	-	-	-	-	-	-
K8	VDDIOM	power	VDDIOM		-	-	-	-	-	-	-
K14	VDDIOM	power	VDDIOM		-	-	-	-	-	-	-
P7	VDDIOM	power	VDDIOM		-	-	-	-	-	-	-
M15	VDDNF	power	VDDNF		-	-	-	-	-	-	-
R9	VDDIOP0	power	VDDIOP0		-	-	-	-	-	-	-
C6	VDDIOP1	power	VDDIOP1		-	-	-	-	-	-	-
R12	VDDIOP2	power	VDDIOP2		-	-	-	-	-	-	-
T2	VDDBU	power	VDDBU		-	-	-	-	-	-	-
R6	VDDANA	power	VDDANA		-	-	-	-	-	-	-
P6	GNDANA	ground	GNDANA		-	-	-	-	-	-	-
E5	VDDIN25	power	VDDIN25		-	-	-	-	-	-	-

.....continued

BGA243 Pins	Power Rail	I/O Type	Primary		Alternate		PIO Peripheral				Reset State	
			Signal	Dir	Signal	Dir	Func	Signal	Dir	I/O Set	Signal, Dir, PU, PD, HiZ, ST, SEC, FILTER	
M1	VDDOUT25	power	VDDOUT25	I	-	-	-	-	-	-	-	-
J3	VDDIN33	power	VDDIN33	I	-	-	-	-	-	-	-	-
M4	VDDIN33	power	VDDIN33	I	-	-	-	-	-	-	-	-
F7	VDDCORE	power	VDDCORE	I	-	-	-	-	-	-	-	-
G6	VDDCORE	power	VDDCORE	I	-	-	-	-	-	-	-	-
L6	VDDCORE	power	VDDCORE	I	-	-	-	-	-	-	-	-
M2	VDDCORE	power	VDDCORE	I	-	-	-	-	-	-	-	-
M7	VDDCORE	power	VDDCORE	I	-	-	-	-	-	-	-	-
M11	VDDCORE	power	VDDCORE	I	-	-	-	-	-	-	-	-
N5	VDDCORE	power	VDDCORE	I	-	-	-	-	-	-	-	-
E7	VDDQSPI	power	VDDQSPI	I	-	-	-	-	-	-	-	-
F3	VDDMIPI	power	VDDMIPI	I	-	-	-	-	-	-	-	-
D9	VDDLVD	power	VDDLVD	I	-	-	-	-	-	-	-	-
E15	VDDIOM	analog	DDR_VREF	I	-	-	-	-	-	-	-	-
D11	DDRM_VDD	analog	DDRM_CAL	I	-	-	-	-	-	-	-	-
H13	VDDIOM	analog	DDR_CAL	I	-	-	-	-	-	-	-	-
A16	DDRM_VDD	power	DDRM_VDD	I	-	-	-	-	-	-	-	-
B15	DDRM_VDD	power	DDRM_VDD	I	-	-	-	-	-	-	-	-
B17	DDRM_VDD	power	DDRM_VDD	I	-	-	-	-	-	-	-	-
C14	DDRM_VDD	power	DDRM_VDD	I	-	-	-	-	-	-	-	-
C16	DDRM_VDD	power	DDRM_VDD	I	-	-	-	-	-	-	-	-
D13	DDRM_VDD	power	DDRM_VDD	I	-	-	-	-	-	-	-	-
D15	DDRM_VDD	power	DDRM_VDD	I	-	-	-	-	-	-	-	-
E11	DDRM_VDD	power	DDRM_VDD	I	-	-	-	-	-	-	-	-
E12	DDRM_VDD	power	DDRM_VDD	I	-	-	-	-	-	-	-	-
F13	DDRM_VDD	power	DDRM_VDD	I	-	-	-	-	-	-	-	-
F15	DDRM_VDD	power	DDRM_VDD	I	-	-	-	-	-	-	-	-
F17	DDRM_VDD	power	DDRM_VDD	I	-	-	-	-	-	-	-	-
G13	DDRM_VDD	power	DDRM_VDD	I	-	-	-	-	-	-	-	-
G14	DDRM_VDD	power	DDRM_VDD	I	-	-	-	-	-	-	-	-
U3	VDDANA	GPIO	ADVREFP	-	-	-	-	-	-	-	-	I
U2	VDDANA	GPIO	ADVREFN	-	-	-	-	-	-	-	-	I

.....continued

BGA243 Pins	Power Rail	I/O Type	Primary		Alternate		Func	PIO Peripheral			Reset State
			Signal	Dir	Signal	Dir		Signal	Dir	I/O Set	Signal, Dir, PU, PD, HiZ, ST, SEC, FILTER
K5	VDDIN33	USBHS	HHSRTUNE	-	-	-	-	-	-	-	I
P1	VDDIN33	USBHS	HHSDPA	-	DHSDP	-	-	-	-	-	O, PD
P2	VDDIN33	USBHS	HHSDMA	-	DHSDM	-	-	-	-	-	O, PD
N1	VDDIN33	USBHS	HHSDPB	-	-	-	-	-	-	-	O, PD
N2	VDDIN33	USBHS	HHSDMB	-	-	-	-	-	-	-	O, PD
N3	VDDIN33	USBHS	HHSDPC	-	-	-	-	-	-	-	O, PD
P3	VDDIN33	USBHS	HHSDMC	-	-	-	-	-	-	-	O, PD
T14	VDDDBU	GPIO	WKUP0	-	-	-	-	-	-	-	I, ST
U14	VDDDBU	GPIO	SHDN	-	-	-	-	-	-	-	O, PD
U16	VDDDBU	GPIO	JTAGSEL	-	-	-	-	-	-	-	I, PD
P9	VDDDBU	GPIO	TST	-	-	-	-	-	-	-	I, PD, ST
U13	VDDIOP0	GPIO	TCK	-	-	-	-	-	-	-	I, ST
T13	VDDIOP0	GPIO	TDI	-	-	-	-	-	-	-	I, ST
T17	VDDIOP0	GPIO	TDO	-	-	-	-	-	-	-	O
U15	VDDIOP0	GPIO	TMS	-	-	-	-	-	-	-	I, ST
T15	VDDIOP0	GPIO	RTCK	-	-	-	-	-	-	-	O
P5	VDDIOP0	GPIO	NRST	-	-	-	-	-	-	-	I, PU, ST
U5	VDDDBU	CLOCK	XIN32	-	-	-	-	-	-	-	I
U4	VDDDBU	CLOCK	XOUT32	-	-	-	-	-	-	-	O
L1	VDDIN33	CLOCK	XIN	-	-	-	-	-	-	-	I
L2	VDDIN33	CLOCK	XOUT	-	-	-	-	-	-	-	O
H1	VDDMIPI	analog	MIPI_DN0	I/O	-	-	-	-	-	-	HiZ
H2	VDDMIPI	analog	MIPI_DP0	I/O	-	-	-	-	-	-	HiZ
J1	VDDMIPI	analog	MIPI_DN1	I/O	-	-	-	-	-	-	HiZ
J2	VDDMIPI	analog	MIPI_DP1	I/O	-	-	-	-	-	-	HiZ
K1	VDDMIPI	analog	MIPI_DN2	I/O	-	-	-	-	-	-	HiZ
K2	VDDMIPI	analog	MIPI_DP2	I/O	-	-	-	-	-	-	HiZ
L3	VDDMIPI	analog	MIPI_DN3	I/O	-	-	-	-	-	-	HiZ
L4	VDDMIPI	analog	MIPI_DP3	I/O	-	-	-	-	-	-	HiZ
K3	VDDMIPI	analog	MIPI_CLKN	O	-	-	-	-	-	-	HiZ
K4	VDDMIPI	analog	MIPI_CLKP	O	-	-	-	-	-	-	HiZ
H5	VDDMIPI	analog	MIPI_REXT	I	-	-	-	-	-	-	I

6. Electrical Characteristics

Electrical characteristics, schematics, procedures and recommendations are the same as those given in the SAM9X7 Series data sheet (see [Reference Documents](#)).

- The VDDQ and VDD power inputs described in the DDR3L SDRAM data sheets are connected to the SAM9X75 SiP balls called “DDRM_VDD”. Therefore, the requirements placed on VDDQ and VDD power inputs in the “Absolute Maximum Ratings” and “Recommended DC Operating Conditions” sections of these data sheets apply to the DDRM_VDD power inputs.
- The VDDIN25 input powers the LVDS PLL of the device. It must be connected to VDDOUT25 on the PCB. From an Absolute Maximum Ratings perspective, VDDIN25 has the same specification as VDDLVD5.

6.1 Recommended Thermal Operating Conditions

Table 6-1. Recommended Thermal Operating Conditions

Symbol	Parameter	Min	Max	Unit
T _A	Ambient temperature range	-40	85	°C
T _{J_MPU}	Junction temperature range	-40	125	°C
T _{J_DDRx}		-40	125	°C

Table 6-2. BGA243 Package Thermal Characteristics⁽¹⁾⁽²⁾⁽³⁾

Symbol	Parameter	Typ	Unit
R _{JA}	Junction-to-ambient thermal resistance	26	°C/W

Notes:

1. $R_{JA} = (T_{J_MPU} - T_A) / P_{TOT}$, where T_A is the ambient temperature and P_{TOT} is the power consumption of both the processor and the embedded DDR memory. The DDR3L SDRAM junction temperature is always lower than the MPU junction temperature.
2. According to the JEDEC JESD51-2 standard, with 2s2p board and 0 m/s air flow.
3. These values are not directly applicable to the board where the device is mounted. As per JEDEC standards, these parameters do not characterize the package itself but rather the package together with the PCB (four layers or more) and other environmental factors, such as still air. For example, in still air JEDEC-defined R_{JA} measurements, almost 70% of the power generated by the chip is dissipated from the test board, not from the package surfaces.

6.2 Power Sequences

The DDR SDRAM power rail (DDRM_VDD) must be connected to VDDIOM on the PCB. Refer to the section “Recommended Power Supply Sequencing” in the SAM9X7 Series data sheet (see [Reference Documents](#)).

6.3 Device Power Consumption in Applicative Use Cases

[Table 6-4](#) provides the processor power consumption in the following conditions:

- f_{CPU_CLK} = 800 MHz
- f_{MCK} = 266 MHz
- I & D caches are enabled.
- Use cases run on Linux[®].
- Current consumptions are measured as shown in [Figure 6-1](#). Note that external component current consumptions are not counted.
- Ambient temperature: 25°C

The measurements are provided for typical SAM9X75D1G and SAM9X75D2G devices.

Figure 6-1. Current Measurement for Applicative Use Cases (DDR3L Example)

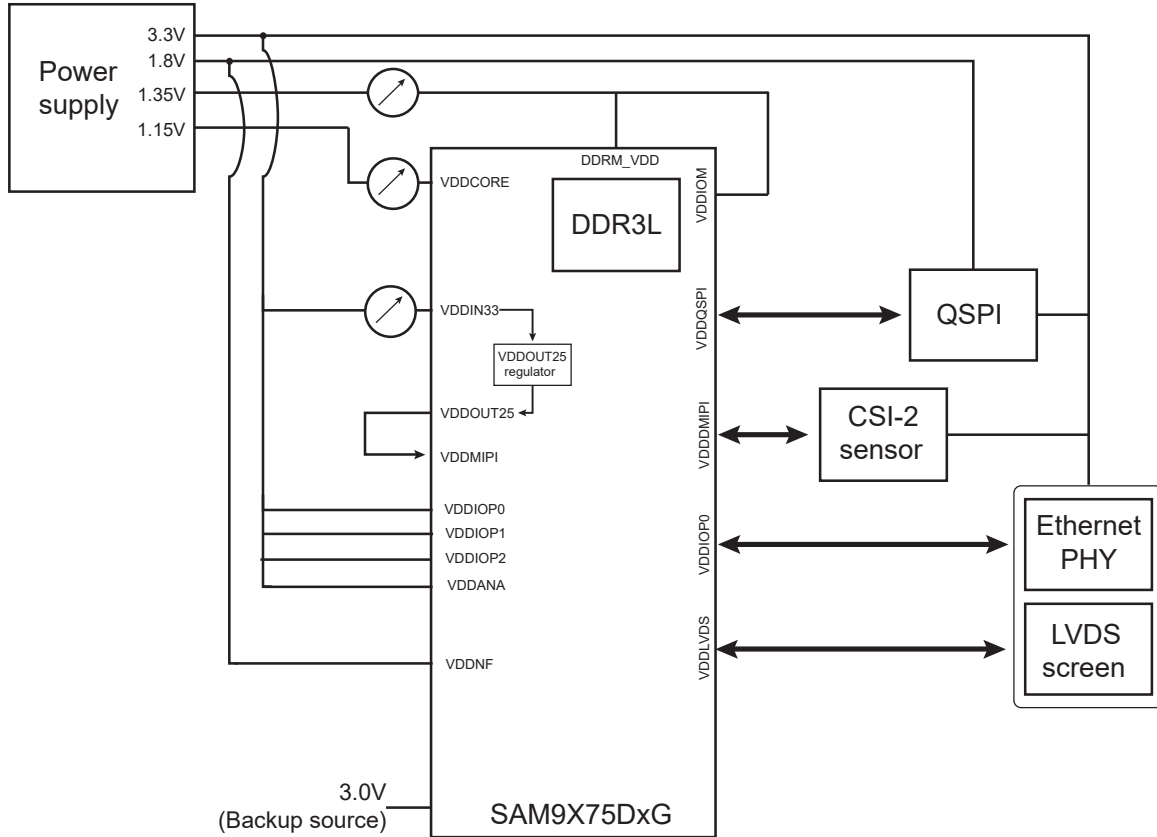


Table 6-3. Use Case Definition

Use Case	Description
1	After Linux boot root prompt
2	Running 2D graphics benchmark with EGT monitor (800x480 DSI panel @ 46 fps) - 22% CPU usage
3	Run Bonnie++ on USB mass storage
4	SAM9X70 running as iPerf server
5	Image sensor video recording with QVGA resolution - 10 fps

Table 6-4. Power Consumption (mW) in Applicative Use Cases

Use Case	VDDCORE	VDDIOM+	VDDIN33	Total
	1.15V	DDR3L_VDD 1.35V	3.3V	
1	135	41	165	341
2	165	55	125	345
3	190	84	115	390
4	165	95	165	425
5	170	61	330	561

6.4 SDRAM Power Consumption in Idle and Ultra-Low Power (ULP0, ULP1) Modes with SDRAM in Self-Refresh

For a complete description of how to enter and exit ULP0 or ULP1 mode, refer to the SAM9X7 Series data sheet (see [Reference Documents](#)).

Table 6-5. Typical Current Consumption in Idle, ULP0 or ULP1 Mode on VDDIOM and DDRM_VDD

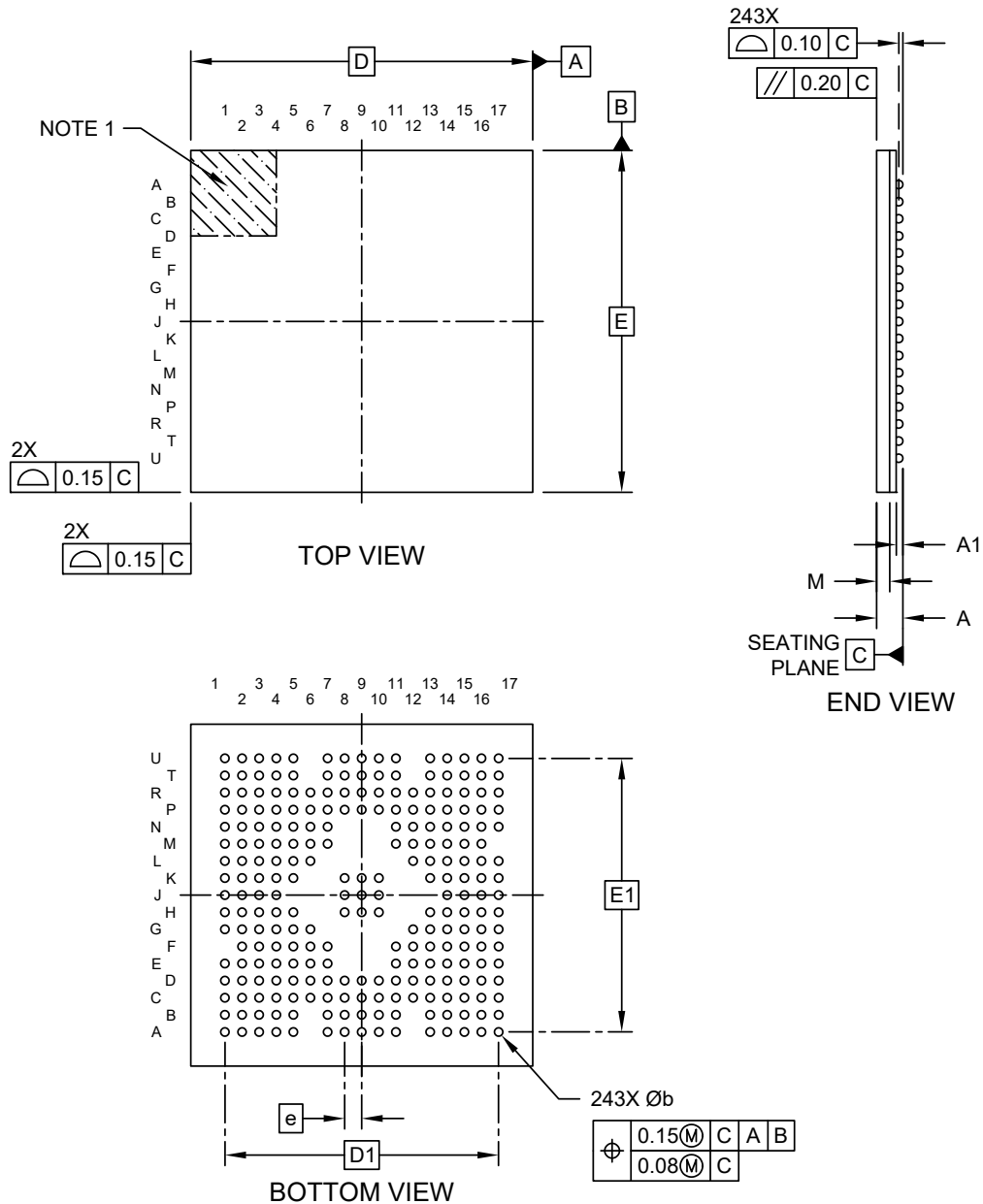
VDDIOM DDRM_VDD (V)	T _A =-40°C	T _A = 25°C	T _A = 50°C	T _A = 70°C	T _A =85°C	Unit
1.35	6	6	6	7	7	mA

7. Mechanical Characteristics

7.1 243-Ball TFBGA Mechanical Characteristics

243-Ball Thin Fine-Pitch Ball Grid Array (4TB) - 16x16x1.23 mm Body [TFBGA]

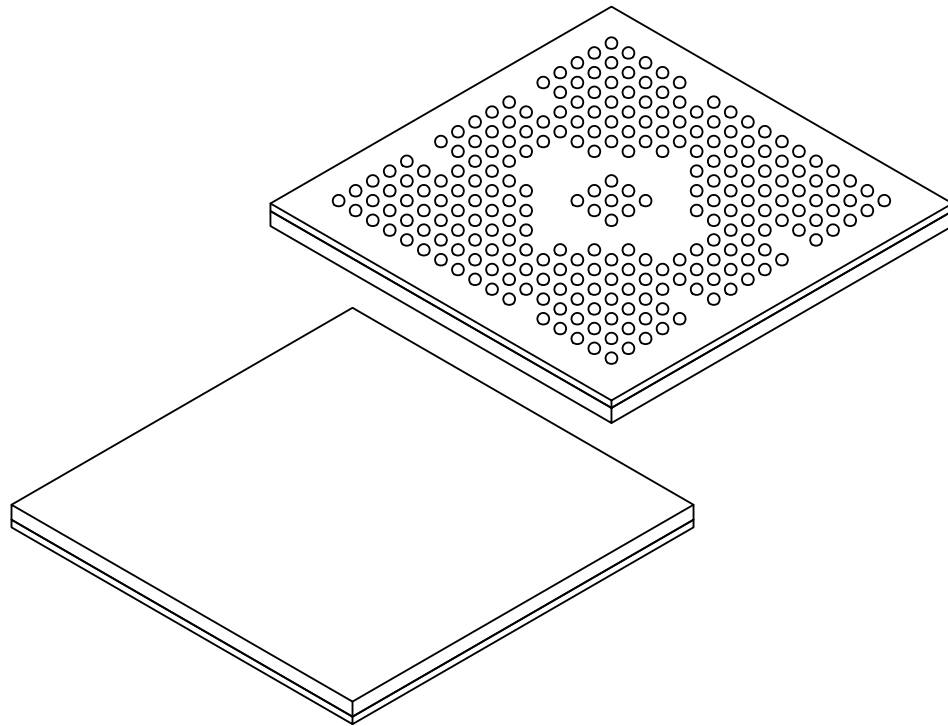
Note: For the most current package drawings, please see the Microchip Packaging Specification located at <http://www.microchip.com/packaging>



Microchip Technology Drawing C04-21556 Rev B Sheet 1 of 2

243-Ball Thin Fine-Pitch Ball Grid Array (4TB) - 16x16x1.23 mm Body [TFBGA]

Note: For the most current package drawings, please see the Microchip Packaging Specification located at <http://www.microchip.com/packaging>



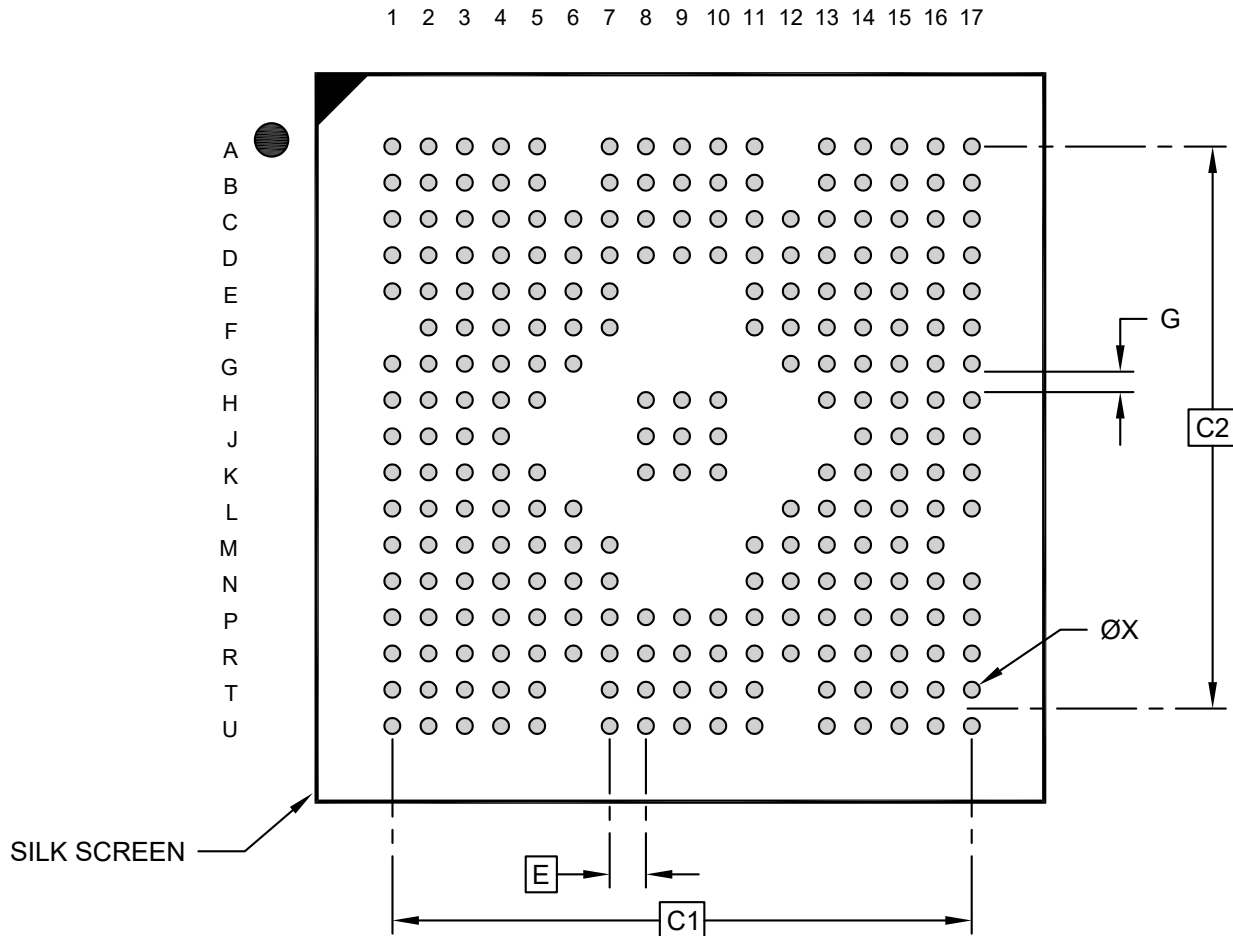
Dimension Limits	Units	MILLIMETERS		
		MIN	NOM	MAX
Number of Terminals	N	243		
Pitch	e	0.80 BSC		
Overall Height	A	–	–	1.23
Ball Height	A1	–	0.21	0.312
Mold Thickness	M	0.51	0.56	0.61
Overall Length	D	16.00 BSC		
Ball Array Length	D2	12.80 BSC		
Overall Width	E	16.00 BSC		
Ball Array Width	E2	12.80 BSC		
Ball Diameter	b	0.35	0.40	0.45

Notes:

1. Terminal A1 visual index feature may vary, but must be located within the hatched area.
2. Package is saw singulated
3. Dimensioning and tolerancing per ASME Y14.5M
 - BSC: Basic Dimension. Theoretically exact value shown without tolerances.
 - REF: Reference Dimension, usually without tolerance, for information purposes only.

243-Ball Thin Fine-Pitch Ball Grid Array (4TB) - 16x16x1.23 mm Body [TFBGA]

Note: For the most current package drawings, please see the Microchip Packaging Specification located at <http://www.microchip.com/packaging>



RECOMMENDED LAND PATTERN

Dimension Limits	Units	MILLIMETERS		
		MIN	NOM	MAX
Contact Pitch	E	0.80 BSC		
Contact Pad Spacing	C1	12.80 BSC		
Contact Pad Spacing	C2	12.80 BSC		
Contact Pad Width (X243)	X			0.35
Contact Pad to Contact Pad	G	0.45		

Notes:

1. Dimensioning and tolerancing per ASME Y14.5M

BSC: Basic Dimension. Theoretically exact value shown without tolerances.

Microchip Technology Drawing C04-23556 Rev B

Table 7-1. 243-ball TFBGA Package Characteristics

Moisture sensitivity level	MSL3
----------------------------	------

Table 7-2. Device and 243-ball TFBGA Package Weight

520	mg
-----	----

Table 7-3. Package Reference

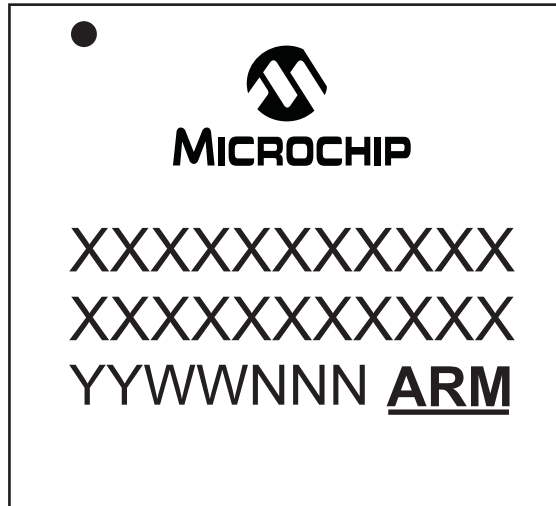
JEDEC drawing reference	NA
J-STD-609 classification	e8

Table 7-4. 243-ball TFBGA Package Information

Ball land	0.450 mm
Nominal ball diameter	0.400 mm
Solder mask opening	0.350 mm
Solder mask definition	Solder Mask Defined (SMD)
Solder	SAC105

8. Marking

Top marking follows the scheme below:



with possible values:

Line	Description	Values
1	Company logo	Microchip logo
2	Company name	Microchip
3	Device name	SAM9X75D1G SAM9X75D2G
4	Temperature code/Packaging code, Jedec symbol	I/4PB
5	Lot traceability, Arm logo	YYWWNNN ARM

9. Ordering Information

For details on ordering codes, see [Product Identification System](#).

Ordering Code	Memory Type	Memory Size	Package	Carrier Type	Ambient Temperature Range
SAM9X75D1G-I/4TB	DDR3L SDRAM	1 Gbit	TFBGA243	Tray	-40°C to +85°C
SAM9X75D1GT-I/4TB				Tape and Reel	
SAM9X75D2G-I/4TB		2 Gbits		Tray	
SAM9X75D2GT-I/4TB				Tape and Reel	

10. Revision History

10.1 DS60001827B - 11/2023

Changes

Various updates, including in document title and [Configuration Summary](#)

10.2 DS60001827A - 09/2023

Changes

First issue.

Microchip Information

The Microchip Website

Microchip provides online support via our website at www.microchip.com/. This website is used to make files and information easily available to customers. Some of the content available includes:

- **Product Support** – Data sheets and errata, application notes and sample programs, design resources, user's guides and hardware support documents, latest software releases and archived software
- **General Technical Support** – Frequently Asked Questions (FAQs), technical support requests, online discussion groups, Microchip design partner program member listing
- **Business of Microchip** – Product selector and ordering guides, latest Microchip press releases, listing of seminars and events, listings of Microchip sales offices, distributors and factory representatives

Product Change Notification Service

Microchip's product change notification service helps keep customers current on Microchip products. Subscribers will receive email notification whenever there are changes, updates, revisions or errata related to a specified product family or development tool of interest.

To register, go to www.microchip.com/pcn and follow the registration instructions.

Customer Support

Users of Microchip products can receive assistance through several channels:

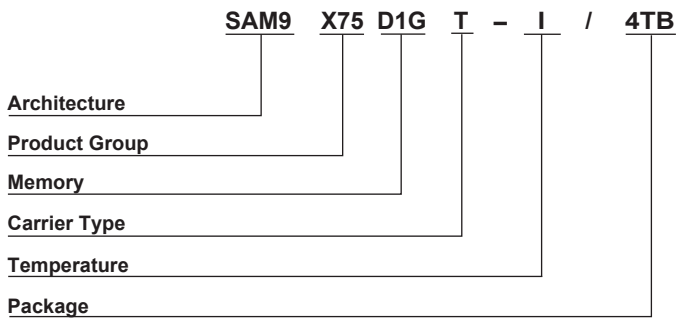
- Distributor or Representative
- Local Sales Office
- Embedded Solutions Engineer (ESE)
- Technical Support

Customers should contact their distributor, representative or ESE for support. Local sales offices are also available to help customers. A listing of sales offices and locations is included in this document.

Technical support is available through the website at: www.microchip.com/support

Product Identification System

To order or obtain information, e.g., on pricing or delivery, refer to the factory or the listed sales office.



Architecture:	SAM9	= ARM926EJ-S Arm Thumb microprocessor
Product Group:	X75	= General purpose microprocessor
Memory Type and Size:	D1G	= 1-Gbit DDR3L SDRAM
	D2G	= 2-Gbit DDR3L SDRAM
Carrier Type:	Blank	= Standard packaging (tray)
	T	= Tape and reel
Ambient Temperature Range:	I	= -40°C to +85°C (industrial)
Package:	4TB	= TFBGA243

Example:

- SAM9X75D1GT-I/4TB = ARM926EJ-S Arm Thumb microprocessor, 1-Gbit DDR3L SDRAM, tape and reel packaging, industrial temperature range, 243-ball TFBGA package

Notes:

1. The Tape and Reel identifier only appears in the catalog part number description. This identifier is used for ordering purposes and is not printed on the device package. Check with your Microchip Sales Office for package availability with the Tape and Reel option.
2. Small form-factor packaging options may be available. Please check www.microchip.com/packaging for small-form factor package availability, or contact your local Sales Office.

Microchip Devices Code Protection Feature

Note the following details of the code protection feature on Microchip products:

- Microchip products meet the specifications contained in their particular Microchip Data Sheet.
- Microchip believes that its family of products is secure when used in the intended manner, within operating specifications, and under normal conditions.
- Microchip values and aggressively protects its intellectual property rights. Attempts to breach the code protection features of Microchip product is strictly prohibited and may violate the Digital Millennium Copyright Act.
- Neither Microchip nor any other semiconductor manufacturer can guarantee the security of its code. Code protection does not mean that we are guaranteeing the product is “unbreakable”. Code protection is constantly evolving. Microchip is committed to continuously improving the code protection features of our products.

Legal Notice

This publication and the information herein may be used only with Microchip products, including to design, test, and integrate Microchip products with your application. Use of this information in any other manner violates these terms. Information regarding device applications is provided only for your convenience and may be superseded by updates. It is your responsibility to ensure

that your application meets with your specifications. Contact your local Microchip sales office for additional support or, obtain additional support at www.microchip.com/en-us/support/design-help/client-support-services.

THIS INFORMATION IS PROVIDED BY MICROCHIP "AS IS". MICROCHIP MAKES NO REPRESENTATIONS OR WARRANTIES OF ANY KIND WHETHER EXPRESS OR IMPLIED, WRITTEN OR ORAL, STATUTORY OR OTHERWISE, RELATED TO THE INFORMATION INCLUDING BUT NOT LIMITED TO ANY IMPLIED WARRANTIES OF NON-INFRINGEMENT, MERCHANTABILITY, AND FITNESS FOR A PARTICULAR PURPOSE, OR WARRANTIES RELATED TO ITS CONDITION, QUALITY, OR PERFORMANCE.

IN NO EVENT WILL MICROCHIP BE LIABLE FOR ANY INDIRECT, SPECIAL, PUNITIVE, INCIDENTAL, OR CONSEQUENTIAL LOSS, DAMAGE, COST, OR EXPENSE OF ANY KIND WHATSOEVER RELATED TO THE INFORMATION OR ITS USE, HOWEVER CAUSED, EVEN IF MICROCHIP HAS BEEN ADVISED OF THE POSSIBILITY OR THE DAMAGES ARE FORESEEABLE. TO THE FULLEST EXTENT ALLOWED BY LAW, MICROCHIP'S TOTAL LIABILITY ON ALL CLAIMS IN ANY WAY RELATED TO THE INFORMATION OR ITS USE WILL NOT EXCEED THE AMOUNT OF FEES, IF ANY, THAT YOU HAVE PAID DIRECTLY TO MICROCHIP FOR THE INFORMATION.

Use of Microchip devices in life support and/or safety applications is entirely at the buyer's risk, and the buyer agrees to defend, indemnify and hold harmless Microchip from any and all damages, claims, suits, or expenses resulting from such use. No licenses are conveyed, implicitly or otherwise, under any Microchip intellectual property rights unless otherwise stated.

Trademarks

The Microchip name and logo, the Microchip logo, Adaptec, AVR, AVR logo, AVR Freaks, BesTime, BitCloud, CryptoMemory, CryptoRF, dsPIC, flexPWR, HELDO, IGLOO, JukeBlox, KeeLoq, Kleer, LANCheck, LinkMD, maXStylus, maXTouch, MediaLB, megaAVR, Microsemi, Microsemi logo, MOST, MOST logo, MPLAB, OptoLyzer, PIC, picoPower, PICSTART, PIC32 logo, PolarFire, Prochip Designer, QTouch, SAM-BA, SenGenuity, SpyNIC, SST, SST Logo, SuperFlash, Symmetricom, SyncServer, Tachyon, TimeSource, tinyAVR, UNI/O, Vectron, and XMEGA are registered trademarks of Microchip Technology Incorporated in the U.S.A. and other countries.

AgileSwitch, ClockWorks, The Embedded Control Solutions Company, EtherSynch, Flashtec, Hyper Speed Control, HyperLight Load, Libero, motorBench, mTouch, Powermite 3, Precision Edge, ProASIC, ProASIC Plus, ProASIC Plus logo, Quiet-Wire, SmartFusion, SyncWorld, TimeCesium, TimeHub, TimePictra, TimeProvider, and ZL are registered trademarks of Microchip Technology Incorporated in the U.S.A.

Adjacent Key Suppression, AKS, Analog-for-the-Digital Age, Any Capacitor, AnyIn, AnyOut, Augmented Switching, BlueSky, BodyCom, Clockstudio, CodeGuard, CryptoAuthentication, CryptoAutomotive, CryptoCompanion, CryptoController, dsPICDEM, dsPICDEM.net, Dynamic Average Matching, DAM, ECAN, Espresso T1S, EtherGREEN, EyeOpen, GridTime, IdealBridge, IGaT, In-Circuit Serial Programming, ICSP, INICnet, Intelligent Paralleling, IntelliMOS, Inter-Chip Connectivity, JitterBlocker, Knob-on-Display, MarginLink, maxCrypto, maxView, memBrain, Mindi, MiWi, MPASM, MPF, MPLAB Certified logo, MPLIB, MPLINK, mSiC, MultiTRAK, NetDetach, Omniscient Code Generation, PICDEM, PICDEM.net, PICkit, PICtail, Power MOS IV, Power MOS 7, PowerSmart, PureSilicon, QMatrix, REAL ICE, Ripple Blocker, RTAX, RTG4, SAM-ICE, Serial Quad I/O, simpleMAP, SimpliPHY, SmartBuffer, SmartHLS, SMART-I.S., storClad, SQI, SuperSwitcher, SuperSwitcher II, Switchtec, SynchroPHY, Total Endurance, Trusted Time, TSHARC, Turing, USBCheck, VariSense, VectorBlox, VeriPHY, ViewSpan, WiperLock, XpressConnect, and ZENA are trademarks of Microchip Technology Incorporated in the U.S.A. and other countries.

SQTP is a service mark of Microchip Technology Incorporated in the U.S.A.

The Adaptec logo, Frequency on Demand, Silicon Storage Technology, and Symmcom are registered trademarks of Microchip Technology Inc. in other countries.

GestIC is a registered trademark of Microchip Technology Germany II GmbH & Co. KG, a subsidiary of Microchip Technology Inc., in other countries.

All other trademarks mentioned herein are property of their respective companies.

© 2023, Microchip Technology Incorporated and its subsidiaries. All Rights Reserved.

ISBN: 978-1-6683-3387-7

AMBA, Arm, Arm7, Arm7TDMI, Arm9, Arm11, Artisan, big.LITTLE, Cordio, CoreLink, CoreSight, Cortex, DesignStart, DynamIQ, Jazelle, Keil, Mali, Mbed, Mbed Enabled, NEON, POP, RealView, SecurCore, Socrates, Thumb, TrustZone, ULINK, ULINK2, ULINK-ME, ULINK-PLUS, ULINKpro, μ Vision, Versatile are trademarks or registered trademarks of Arm Limited (or its subsidiaries) in the US and/or elsewhere.

Quality Management System

For information regarding Microchip's Quality Management Systems, please visit www.microchip.com/quality.

Worldwide Sales and Service

AMERICAS	ASIA/PACIFIC	ASIA/PACIFIC	EUROPE
<p>Corporate Office 2355 West Chandler Blvd. Chandler, AZ 85224-6199 Tel: 480-792-7200 Fax: 480-792-7277 Technical Support: www.microchip.com/support Web Address: www.microchip.com</p> <p>Atlanta Duluth, GA Tel: 678-957-9614 Fax: 678-957-1455</p> <p>Austin, TX Tel: 512-257-3370</p> <p>Boston Westborough, MA Tel: 774-760-0087 Fax: 774-760-0088</p> <p>Chicago Itasca, IL Tel: 630-285-0071 Fax: 630-285-0075</p> <p>Dallas Addison, TX Tel: 972-818-7423 Fax: 972-818-2924</p> <p>Detroit Novi, MI Tel: 248-848-4000</p> <p>Houston, TX Tel: 281-894-5983</p> <p>Indianapolis Noblesville, IN Tel: 317-773-8323 Fax: 317-773-5453 Tel: 317-536-2380</p> <p>Los Angeles Mission Viejo, CA Tel: 949-462-9523 Fax: 949-462-9608 Tel: 951-273-7800</p> <p>Raleigh, NC Tel: 919-844-7510</p> <p>New York, NY Tel: 631-435-6000</p> <p>San Jose, CA Tel: 408-735-9110 Tel: 408-436-4270</p> <p>Canada - Toronto Tel: 905-695-1980 Fax: 905-695-2078</p>	<p>Australia - Sydney Tel: 61-2-9868-6733</p> <p>China - Beijing Tel: 86-10-8569-7000</p> <p>China - Chengdu Tel: 86-28-8665-5511</p> <p>China - Chongqing Tel: 86-23-8980-9588</p> <p>China - Dongguan Tel: 86-769-8702-9880</p> <p>China - Guangzhou Tel: 86-20-8755-8029</p> <p>China - Hangzhou Tel: 86-571-8792-8115</p> <p>China - Hong Kong SAR Tel: 852-2943-5100</p> <p>China - Nanjing Tel: 86-25-8473-2460</p> <p>China - Qingdao Tel: 86-532-8502-7355</p> <p>China - Shanghai Tel: 86-21-3326-8000</p> <p>China - Shenyang Tel: 86-24-2334-2829</p> <p>China - Shenzhen Tel: 86-755-8864-2200</p> <p>China - Suzhou Tel: 86-186-6233-1526</p> <p>China - Wuhan Tel: 86-27-5980-5300</p> <p>China - Xian Tel: 86-29-8833-7252</p> <p>China - Xiamen Tel: 86-592-2388138</p> <p>China - Zhuhai Tel: 86-756-3210040</p>	<p>India - Bangalore Tel: 91-80-3090-4444</p> <p>India - New Delhi Tel: 91-11-4160-8631</p> <p>India - Pune Tel: 91-20-4121-0141</p> <p>Japan - Osaka Tel: 81-6-6152-7160</p> <p>Japan - Tokyo Tel: 81-3-6880-3770</p> <p>Korea - Daegu Tel: 82-53-744-4301</p> <p>Korea - Seoul Tel: 82-2-554-7200</p> <p>Malaysia - Kuala Lumpur Tel: 60-3-7651-7906</p> <p>Malaysia - Penang Tel: 60-4-227-8870</p> <p>Philippines - Manila Tel: 63-2-634-9065</p> <p>Singapore Tel: 65-6334-8870</p> <p>Taiwan - Hsin Chu Tel: 886-3-577-8366</p> <p>Taiwan - Kaohsiung Tel: 886-7-213-7830</p> <p>Taiwan - Taipei Tel: 886-2-2508-8600</p> <p>Thailand - Bangkok Tel: 66-2-694-1351</p> <p>Vietnam - Ho Chi Minh Tel: 84-28-5448-2100</p>	<p>Austria - Wels Tel: 43-7242-2244-39 Fax: 43-7242-2244-393</p> <p>Denmark - Copenhagen Tel: 45-4485-5910 Fax: 45-4485-2829</p> <p>Finland - Espoo Tel: 358-9-4520-820</p> <p>France - Paris Tel: 33-1-69-53-63-20 Fax: 33-1-69-30-90-79</p> <p>Germany - Garching Tel: 49-8931-9700</p> <p>Germany - Haan Tel: 49-2129-3766400</p> <p>Germany - Heilbronn Tel: 49-7131-72400</p> <p>Germany - Karlsruhe Tel: 49-721-625370</p> <p>Germany - Munich Tel: 49-89-627-144-0 Fax: 49-89-627-144-44</p> <p>Germany - Rosenheim Tel: 49-8031-354-560</p> <p>Israel - Ra'anana Tel: 972-9-744-7705</p> <p>Italy - Milan Tel: 39-0331-742611 Fax: 39-0331-466781</p> <p>Italy - Padova Tel: 39-049-7625286</p> <p>Netherlands - Drunen Tel: 31-416-690399 Fax: 31-416-690340</p> <p>Norway - Trondheim Tel: 47-72884388</p> <p>Poland - Warsaw Tel: 48-22-3325737</p> <p>Romania - Bucharest Tel: 40-21-407-87-50</p> <p>Spain - Madrid Tel: 34-91-708-08-90 Fax: 34-91-708-08-91</p> <p>Sweden - Gothenberg Tel: 46-31-704-60-40</p> <p>Sweden - Stockholm Tel: 46-8-5090-4654</p> <p>UK - Wokingham Tel: 44-118-921-5800 Fax: 44-118-921-5820</p>