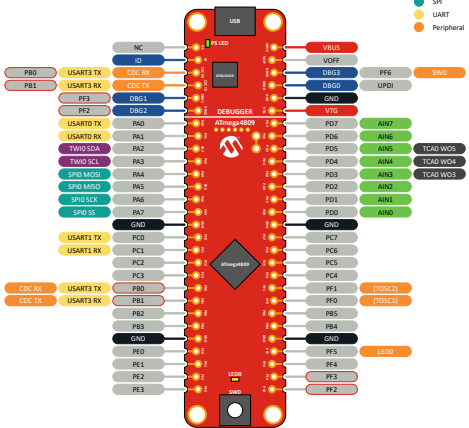


# ATmega4809

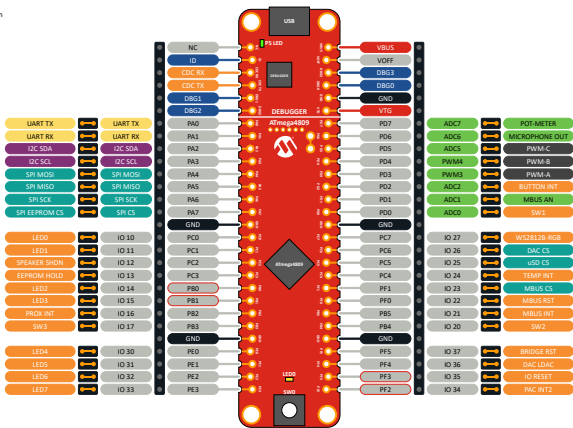
## Curiosity Nano

- Analog
- Debug
- I2C
- SPI
- UART
- Peripheral
- Port
- PWM
- I2C
- Power
- Ground
- Shared pin



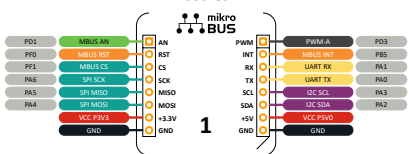
# Curiosity Nano Explorer

## Mapping



# mikroBUS™

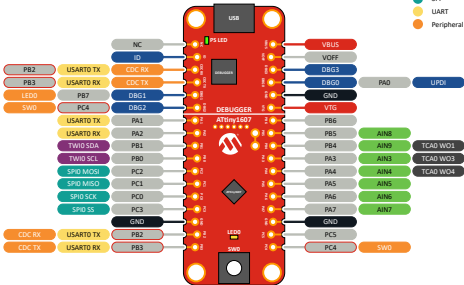
## Socket



# ATtiny1607

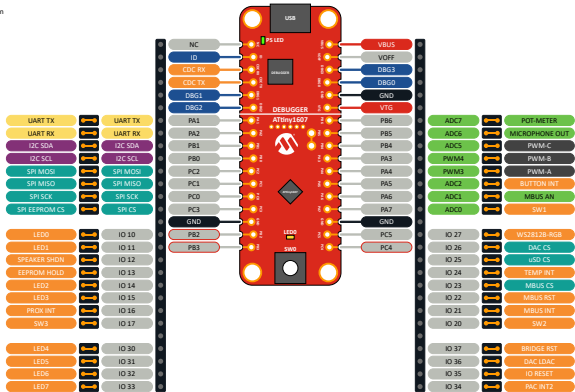
## Curiosity Nano

- Analog
- Port
- Debug
- I2C
- SPI
- UART
- Peripheral
- PWM
- Power
- Ground
- Shared pin



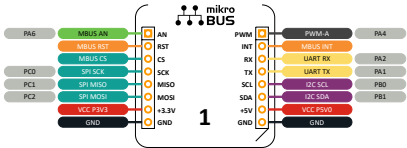
# Curiosity Nano Explorer

## Mapping



# mikroBUS™

## Socket



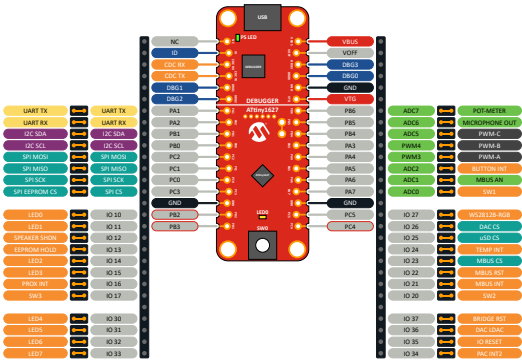
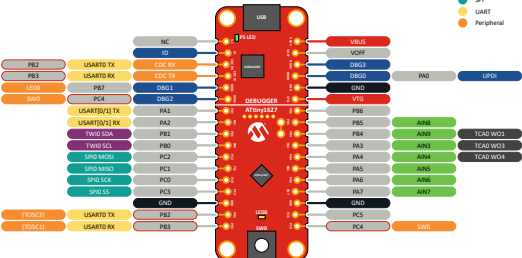
# ATtiny1627

## Curiosity Nano

- Analog
- Debug
- I2C
- SPI
- UART
- Peripheral
- Port
- PWM
- Power
- Ground
- Shared pin

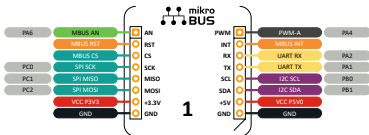
# Curiosity Nano Explorer

## Mapping



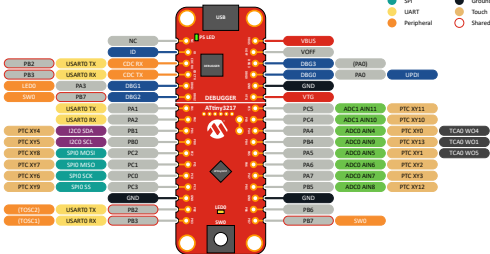
# mikroBUS™

## Socket



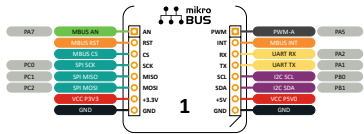
# ATtiny3217

## Curiosity Nano



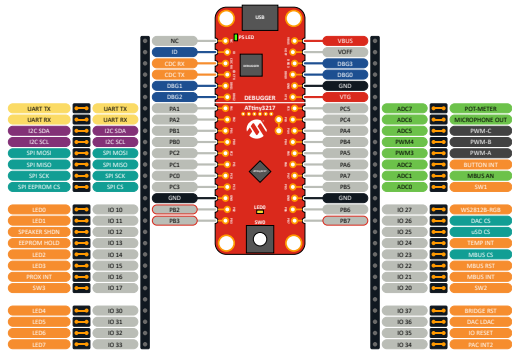
# mikroBUS™

## Socket

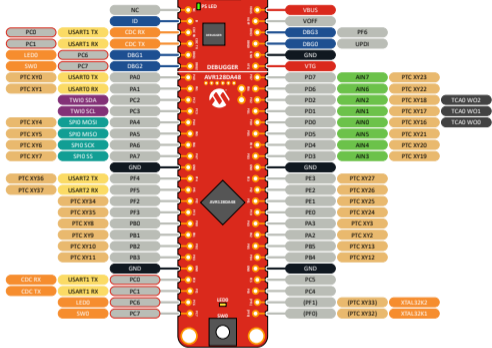


# Curiosity Nano Explorer

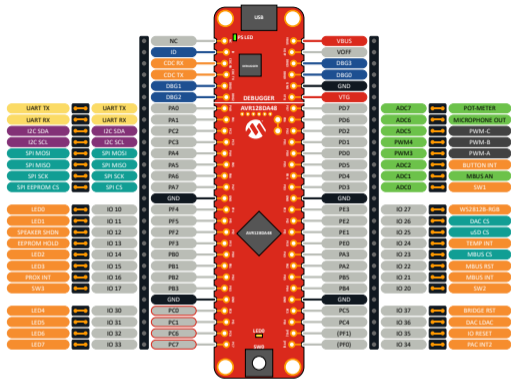
## Mapping



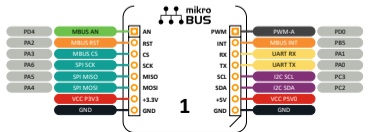
# AVR128DA48 Curiosity Nano



# Curiosity Nano Explorer Mapping

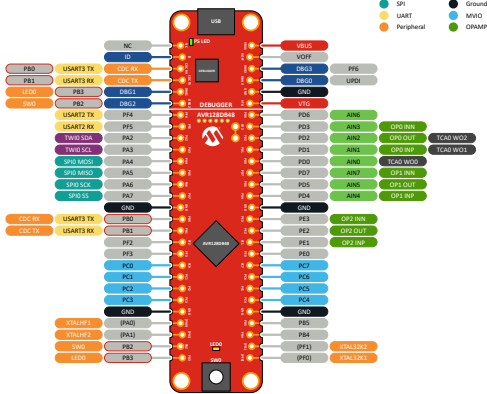


## mikroBUS™ Socket



# AVR128DB48

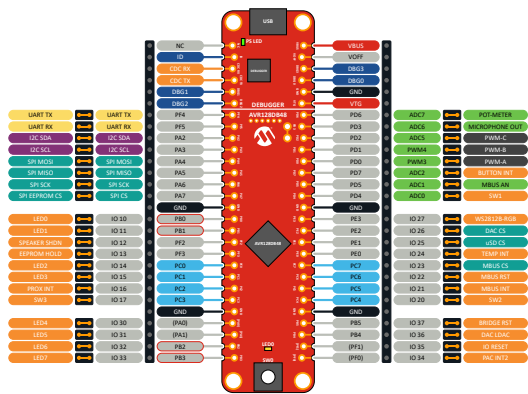
## Curiosity Nano



# Curiosity Nano Explorer

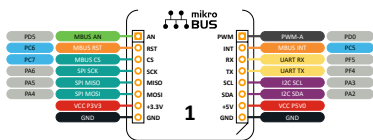
## Mapping

○ Shared pin



# mikroBUS™

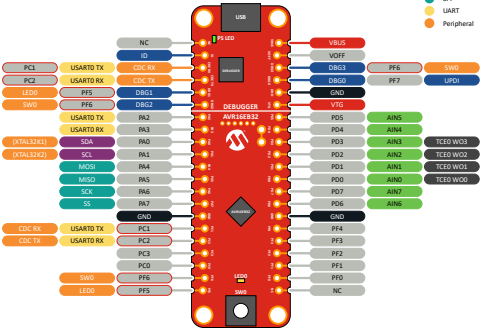
## Socket



# AVR16EB32

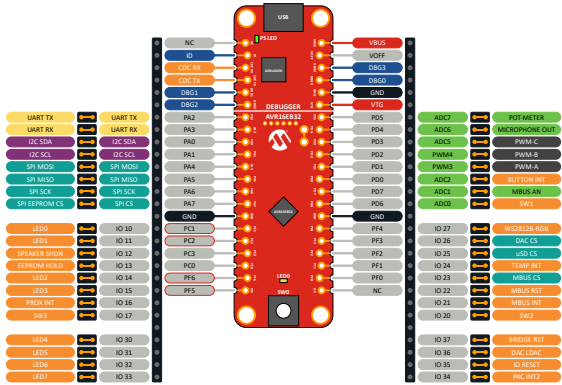
## Curiosity Nano

- Analog
- Debug
- I2C
- SPI
- UART
- Peripheral
- Port
- PWM
- Power
- Ground
- Shared pin



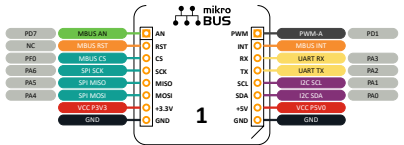
# Curiosity Nano Explorer

## Mapping



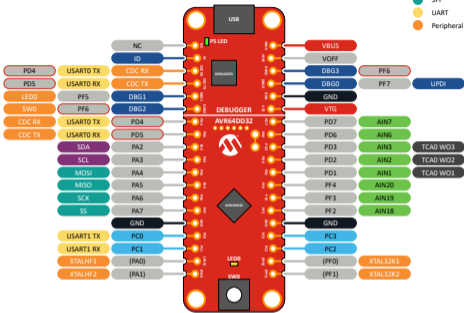
# mikroBUS™

## Socket



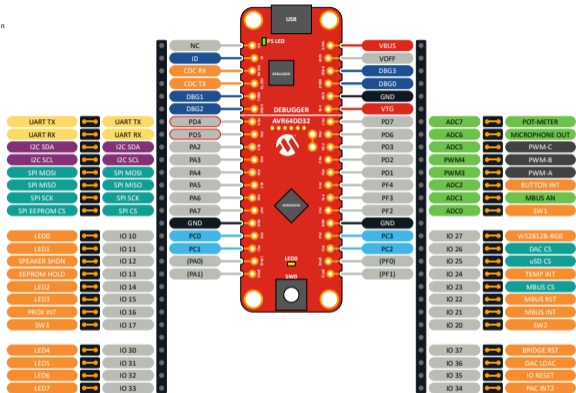
# AVR64DD32

## Curiosity Nano



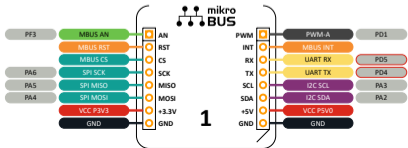
# Curiosity Nano Explorer

## Mapping



# mikroBUS™

## Socket

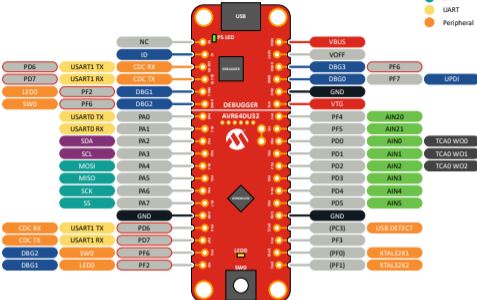




# AVR64DU32

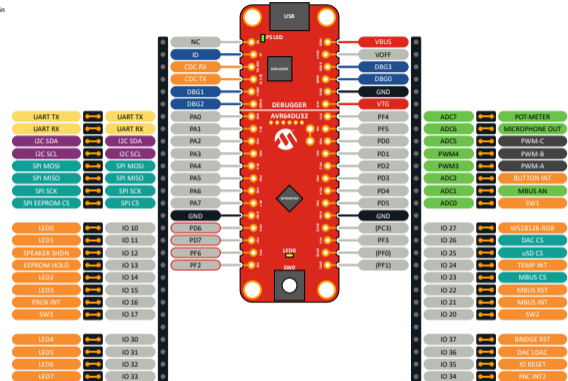
## Curiosity Nano

- Analog
  - Debug
  - I2C
  - SPI
  - UART
  - Peripheral
- Port
  - PWM
  - Power
  - Ground
  - Shared pin

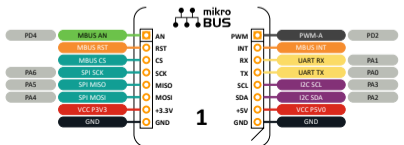


# Curiosity Nano Explorer

## Mapping



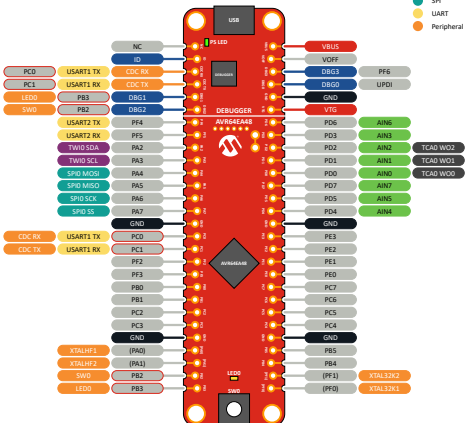
## mikroBUS™ Socket



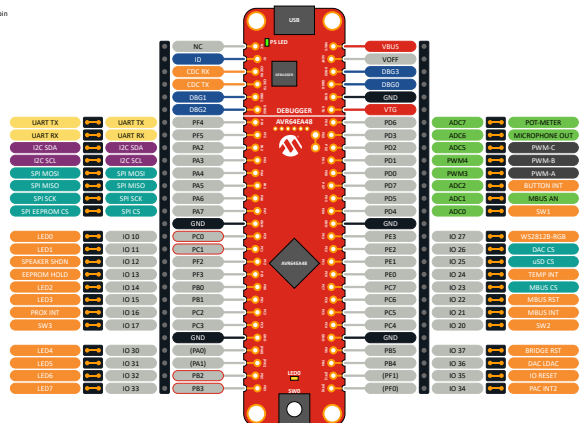
# AVR64EA48

## Curiosity Nano

- Analog
- Debug
- I2C
- SPI
- UART
- Port
- PWM
- I2C
- Ground
- Shared pin

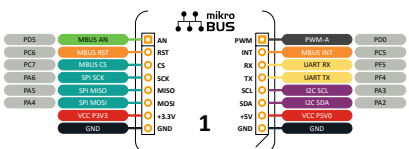


# Curiosity Nano Explorer Mapping



# mikroBUS™

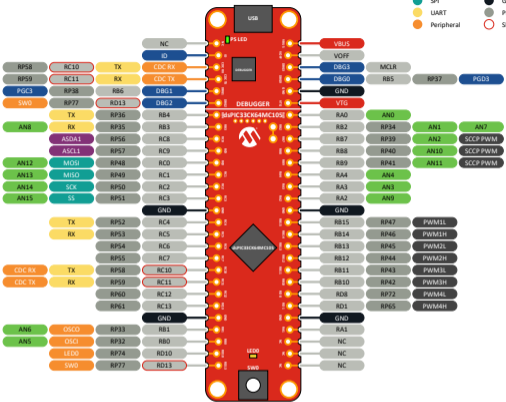
## Socket



# dsPIC33CK64MC105

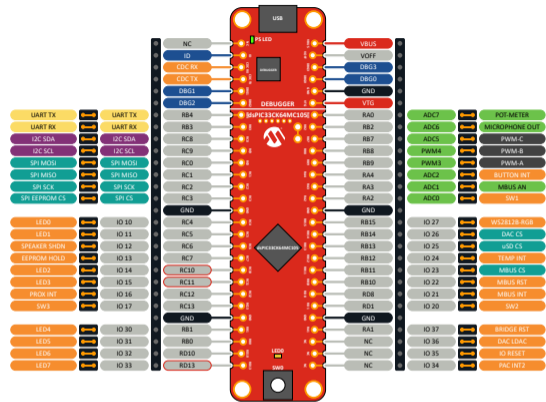
## Curiosity Nano

- Analog
- Debug
- I2C
- SPI
- UART
- Peripheral
- Port
- PWM
- Power
- Ground
- PPS
- Shared pin



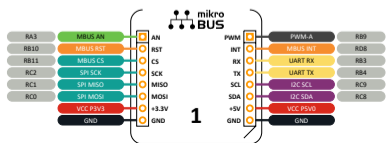
# Curiosity Nano Explorer Mapping

## Mapping



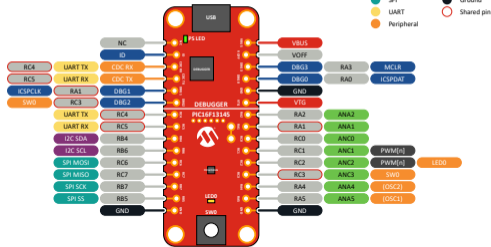
# mikroBUS™

## Socket



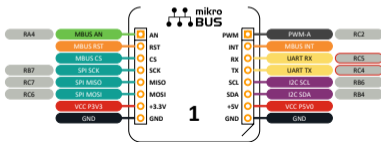
# PIC16F13145

## Curiosity Nano



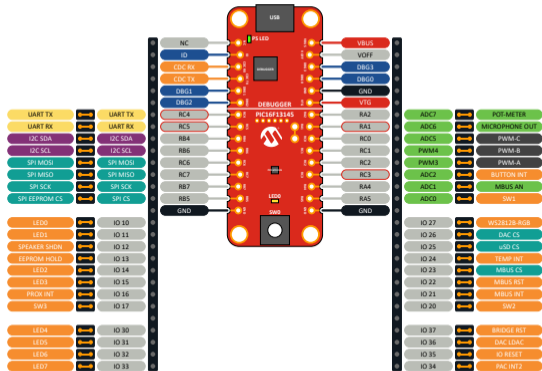
# mikroBUS™

## Socket



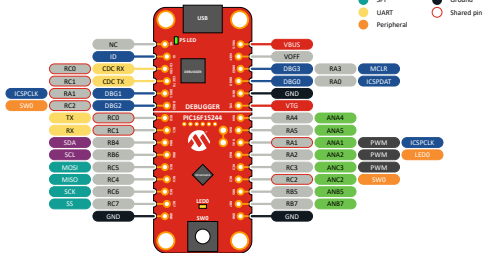
# Curiosity Nano Explorer

## Mapping



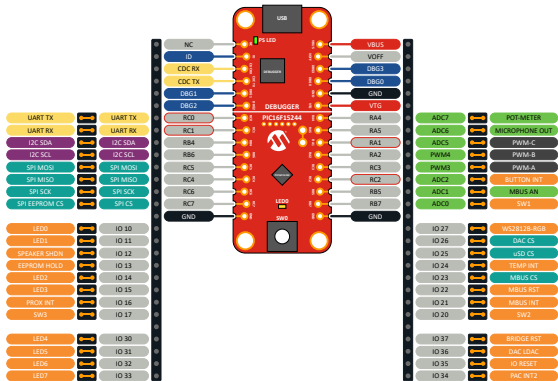
# PIC16F15244

## Curiosity Nano



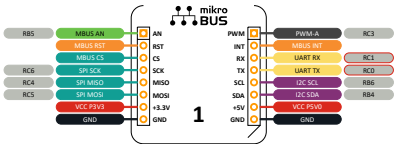
# Curiosity Nano Explorer

## Mapping



# mikroBUS™

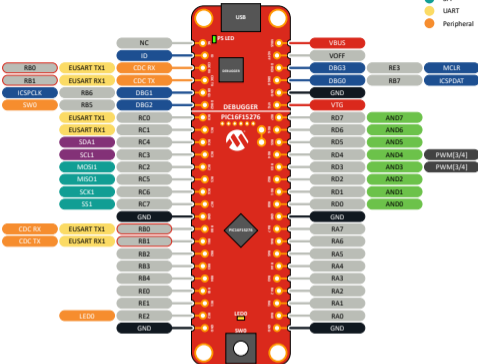
## Socket



# PIC16F15276

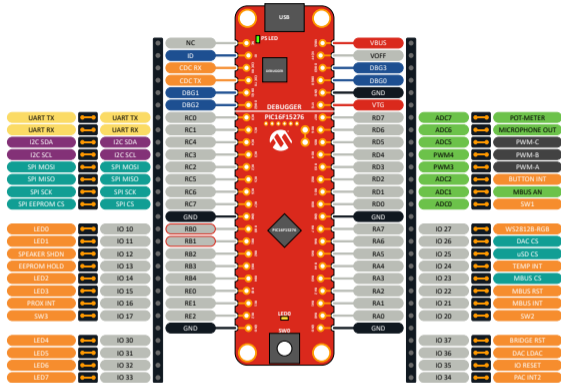
## Curiosity Nano

- Analog
- Debug
- I2C
- SPI
- UART
- Peripheral
- Port
- PWM
- Power
- Ground
- Shared pin



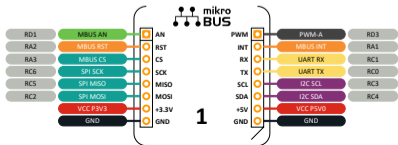
# Curiosity Nano Explorer

## Mapping



# mikroBUS™

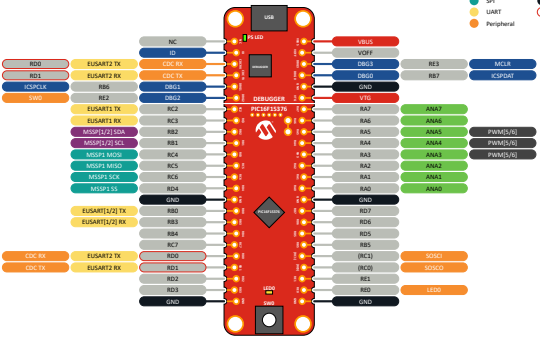
## Socket



# PIC16F15376

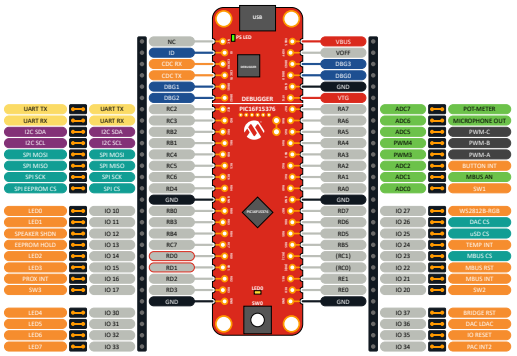
## Curiosity Nano

- Analog
- Debug
- I2C
- SPI
- UART
- Peripheral
- Port
- PWM
- Power
- Ground
- Shared pin



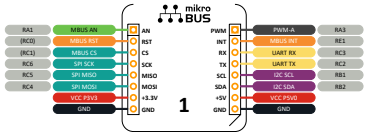
# Curiosity Nano Explorer

## Mapping



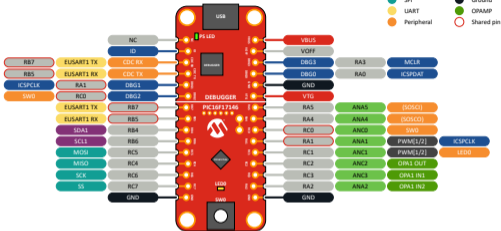
# mikroBUS™

## Socket



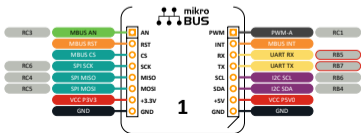
# PIC16F17146

## Curiosity Nano



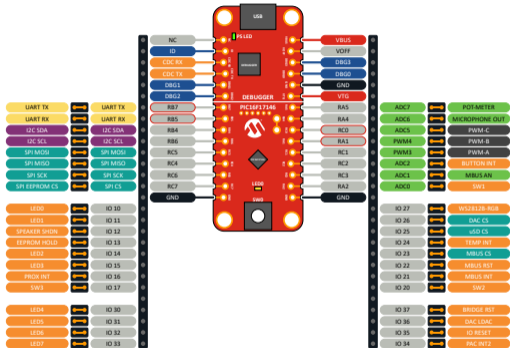
## mikroBUS™

### Socket



# Curiosity Nano Explorer

## Mapping

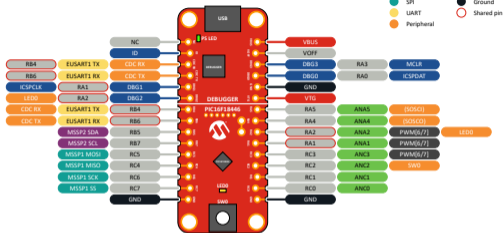






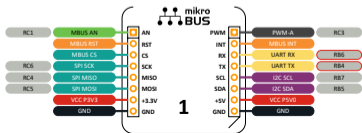
# PIC16F18446

## Curiosity Nano



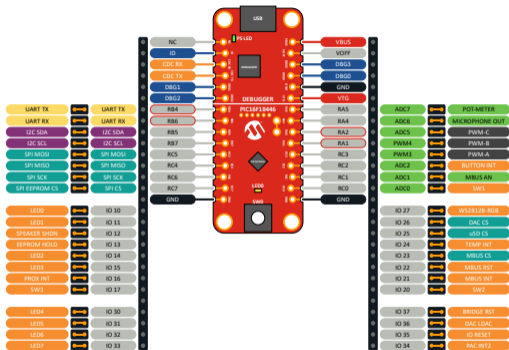
# mikroBUS™

## Socket



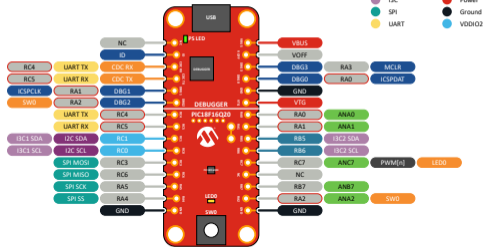
# Curiosity Nano Explorer

## Mapping



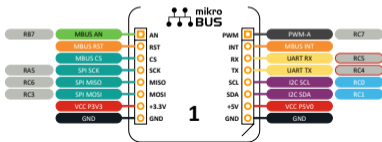
# PIC18F16Q20

## Curiosity Nano



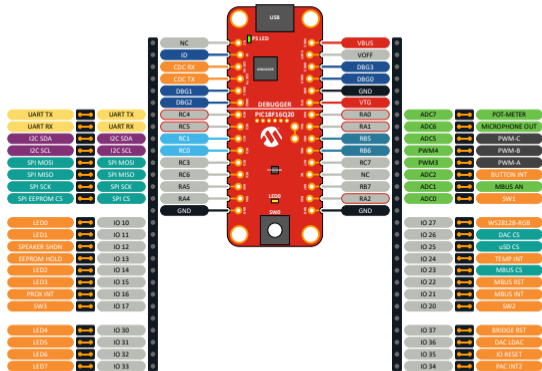
# mikroBUS™

## Socket



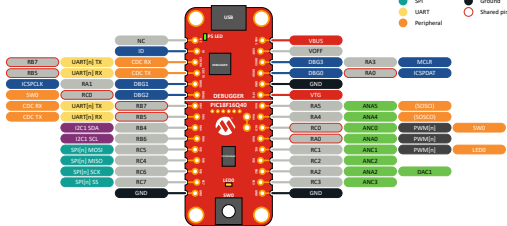
# Curiosity Nano Explorer

## Mapping



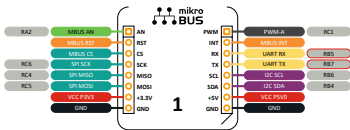
# PIC18F16Q40

## Curiosity Nano



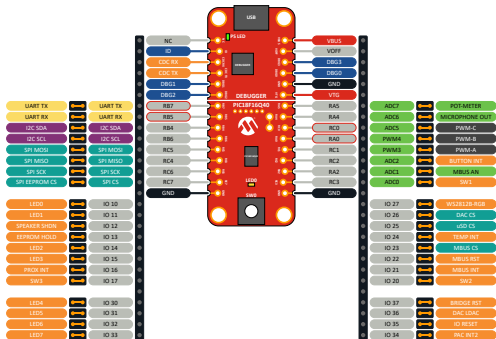
# mikroBUS™

## Socket



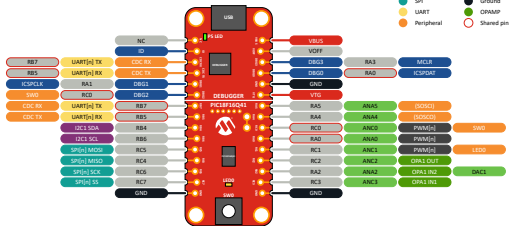
# Curiosity Nano Explorer

## Mapping



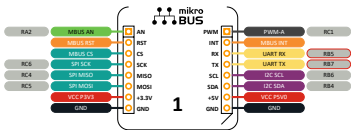
# PIC18F16Q41

## Curiosity Nano



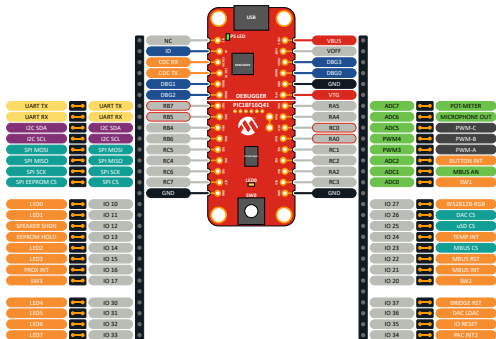
# mikroBUS™

## Socket



# Curiosity Nano Explorer

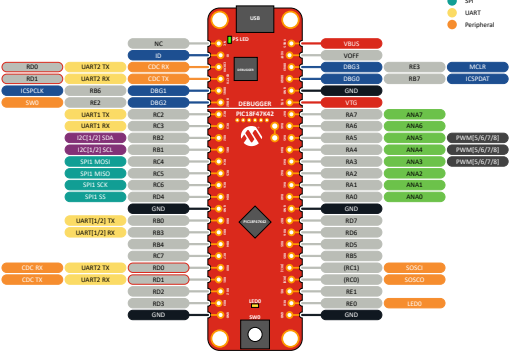
## Mapping



# PIC18F47K42

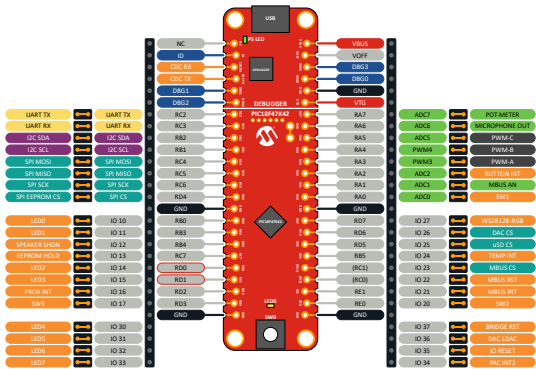
## Curiosity Nano

- Analog
- Debug
- I2C
- SPI
- UART
- Peripheral
- Port
- PWM
- Power
- Ground
- Shared pin



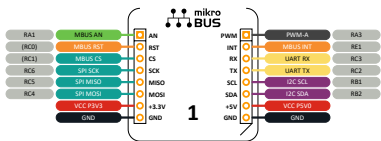
# Curiosity Nano Explorer

## Mapping



# mikroBUS™

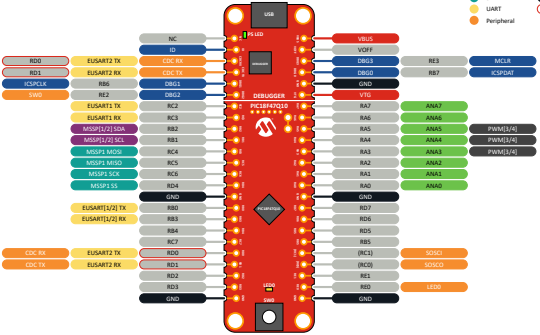
## Socket



# PIC18F47Q10

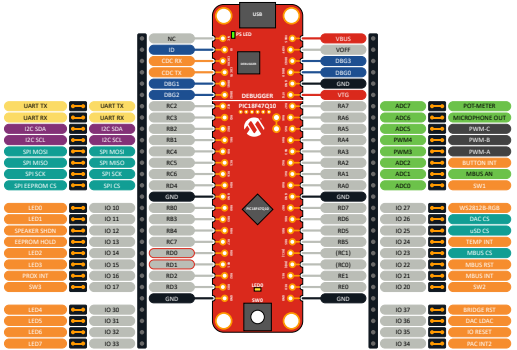
## Curiosity Nano

- Analog
- Debug
- I2C
- SPI
- UART
- Peripheral
- Port
- PWM
- Power
- Ground
- Shared pin



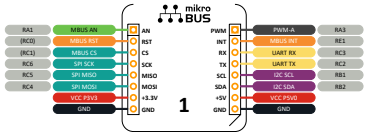
# Curiosity Nano Explorer Mapping

## Mapping



# mikroBUS™

## Socket





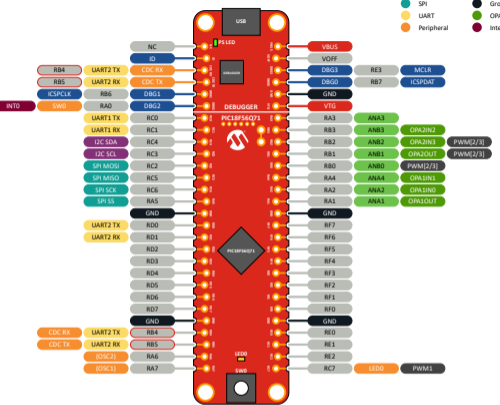


# PIC18F56Q71

Curiosity Nano

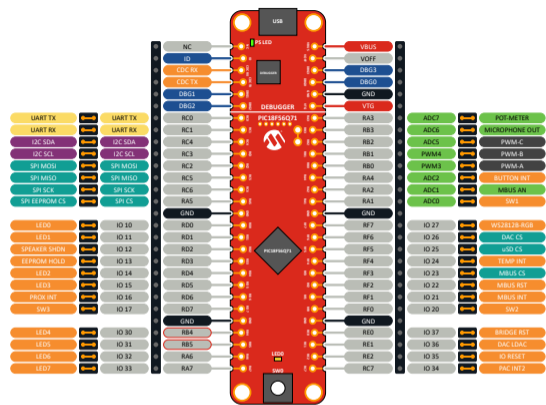
- Analog
- Debug
- I2C
- SPI
- UART
- Peripheral
- Port
- PWM
- Power
- Ground
- OPAMP
- Interrupt

○ Shared pin



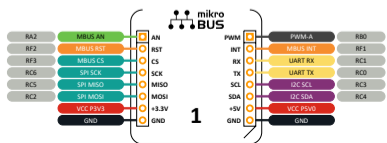
# Curiosity Nano Explorer

Mapping



# mikroBUS™

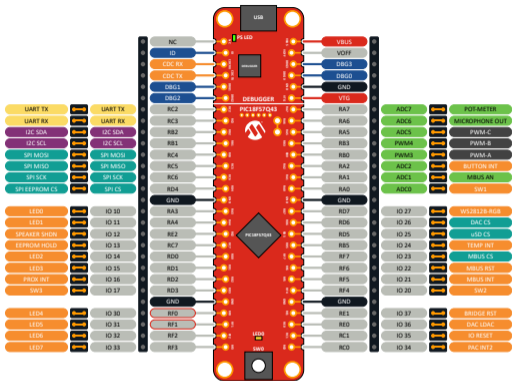
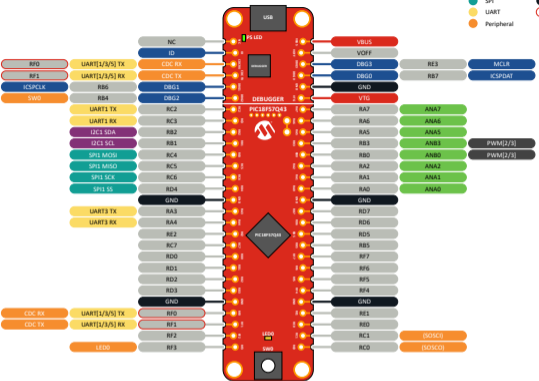
Socket



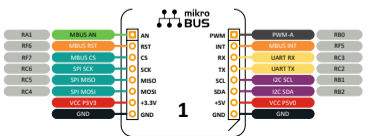
# PIC18F57Q43 Curiosity Nano

- Analog
- Debug
- I2C
- SPI
- UART
- Port
- PWM
- Power
- Ground
- Shared pin

# Curiosity Nano Explorer Mapping



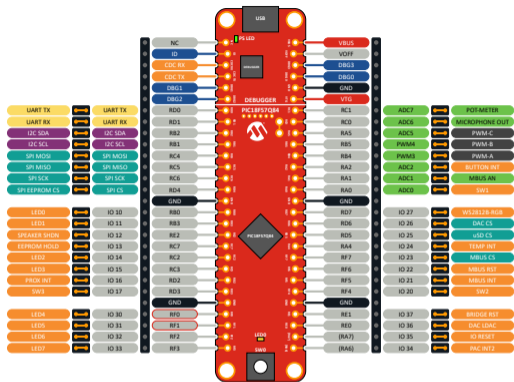
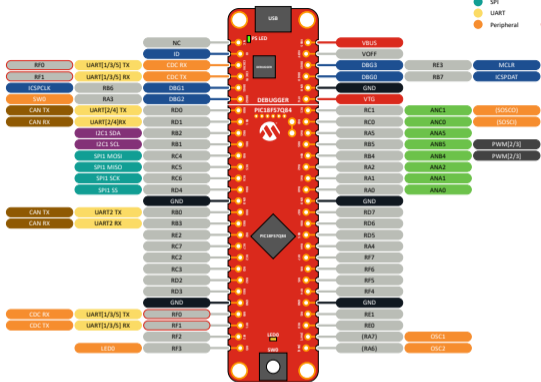
## mikroBUS™ Socket



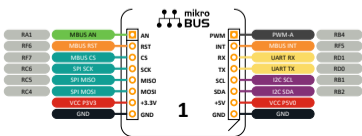
# PIC18F57Q84 Curiosity Nano

- Analog
- Debug
- I2C
- SPI
- UART
- Peripheral
- Port
- PWM
- Power
- Ground
- CAN
- Shared pin

# Curiosity Nano Explorer Mapping



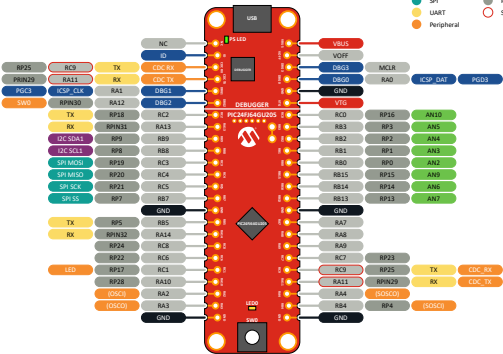
## mikroBUS™ Socket



# PIC24FJ64GU205

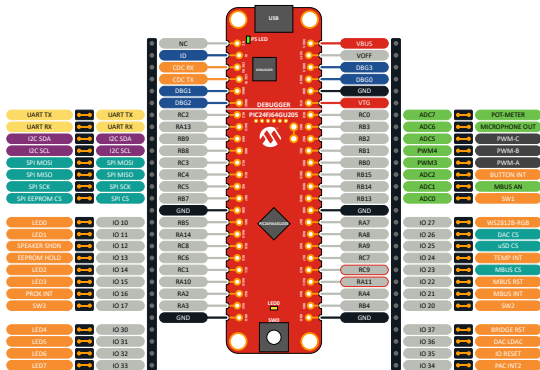
## Curiosity Nano

- Analog
- Debug
- I2C
- SPI
- UART
- Peripheral
- Port
- Power
- Ground
- PPS
- Shared pin



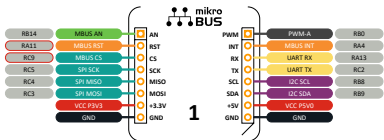
# Curiosity Nano Explorer

## Mapping



# mikroBUS™

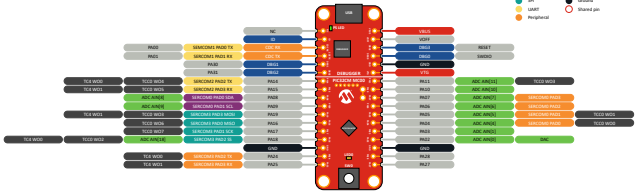
## Socket



# PIC32CM MC00

## Curiosity Nano

- Analog
- Debug
- I2C
- SPI
- UART
- Peripheral
- Port
- PWM
- Power
- Ground
- Shared pin



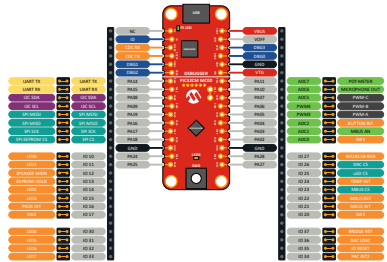
## mikroBUS™

### Socket



# Curiosity Nano Explorer

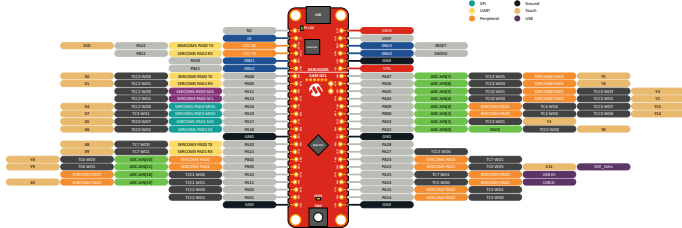
## Mapping



# SAM D21

Curiosity Nano

- Analog
- Debug
- I2C
- SPI
- UART
- Peripheral
- Pull
- Power
- Ground
- Touch
- USB
- Shared pin

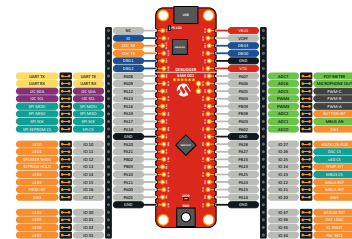


## mikroBUS™ Socket



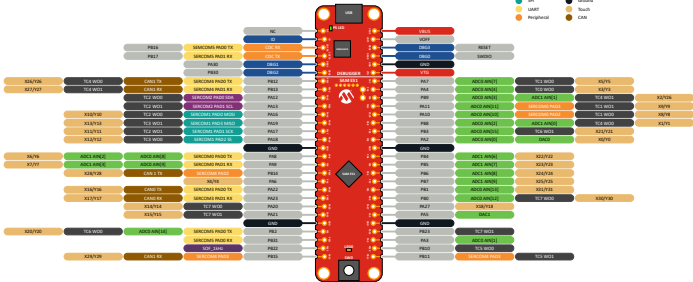
# Curiosity Nano Explorer

Mapping

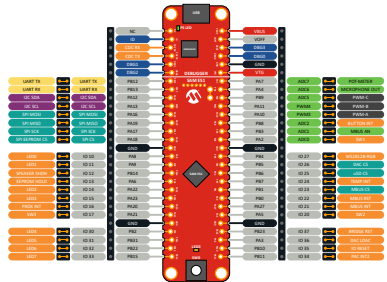


# SAM E51 Curiosity Nano

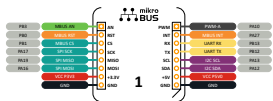
- Analog
- Debug
- I2C
- SPI
- UART
- Peripheral
- Port
- PWM
- Power
- Ground
- Touch
- CAN
- USB
- Shared pin



# Curiosity Nano Explorer Mapping



## mikroBUS™ Socket



# Mouser Electronics

Authorized Distributor

Click to View Pricing, Inventory, Delivery & Lifecycle Information:

[Microchip:](#)

[EV58G97A](#)