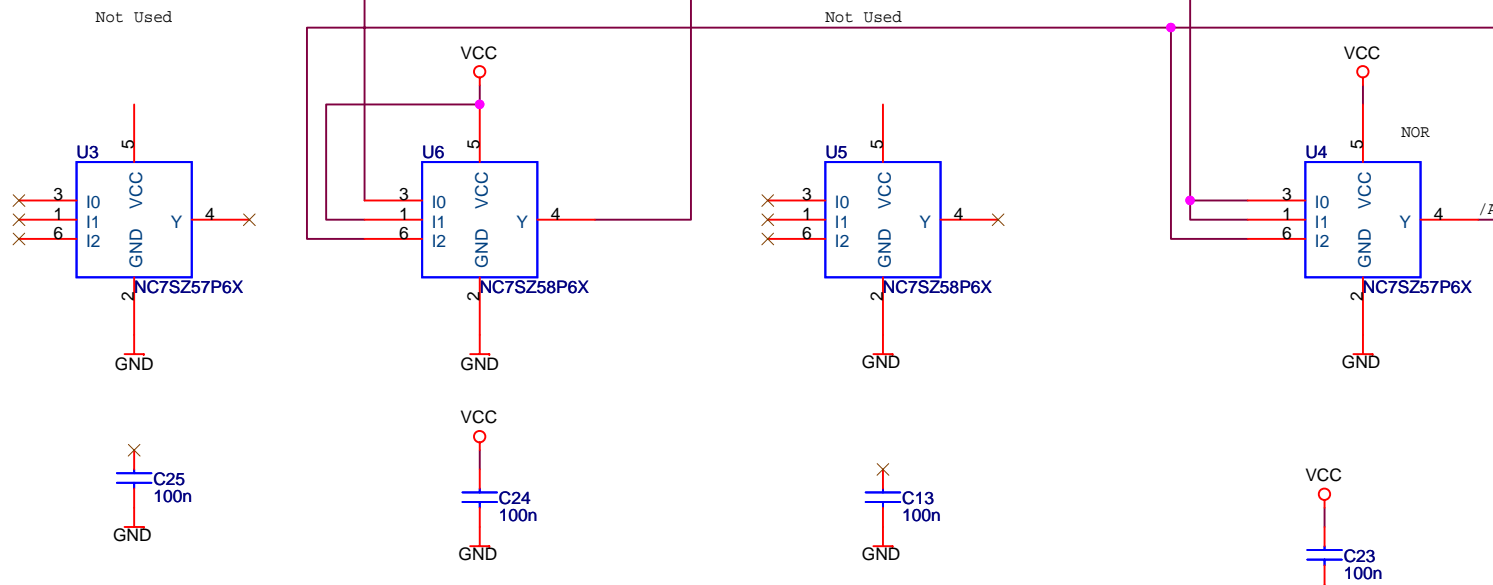
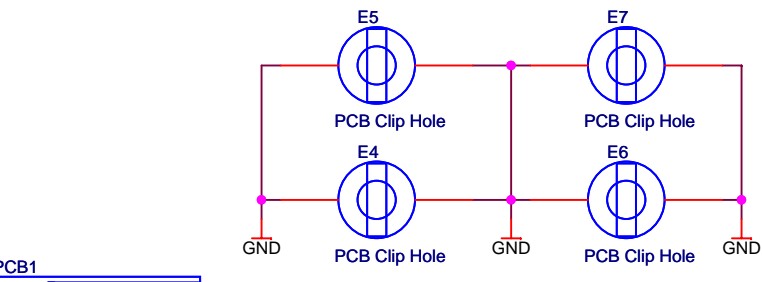
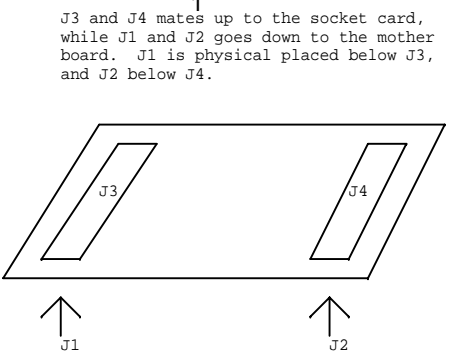
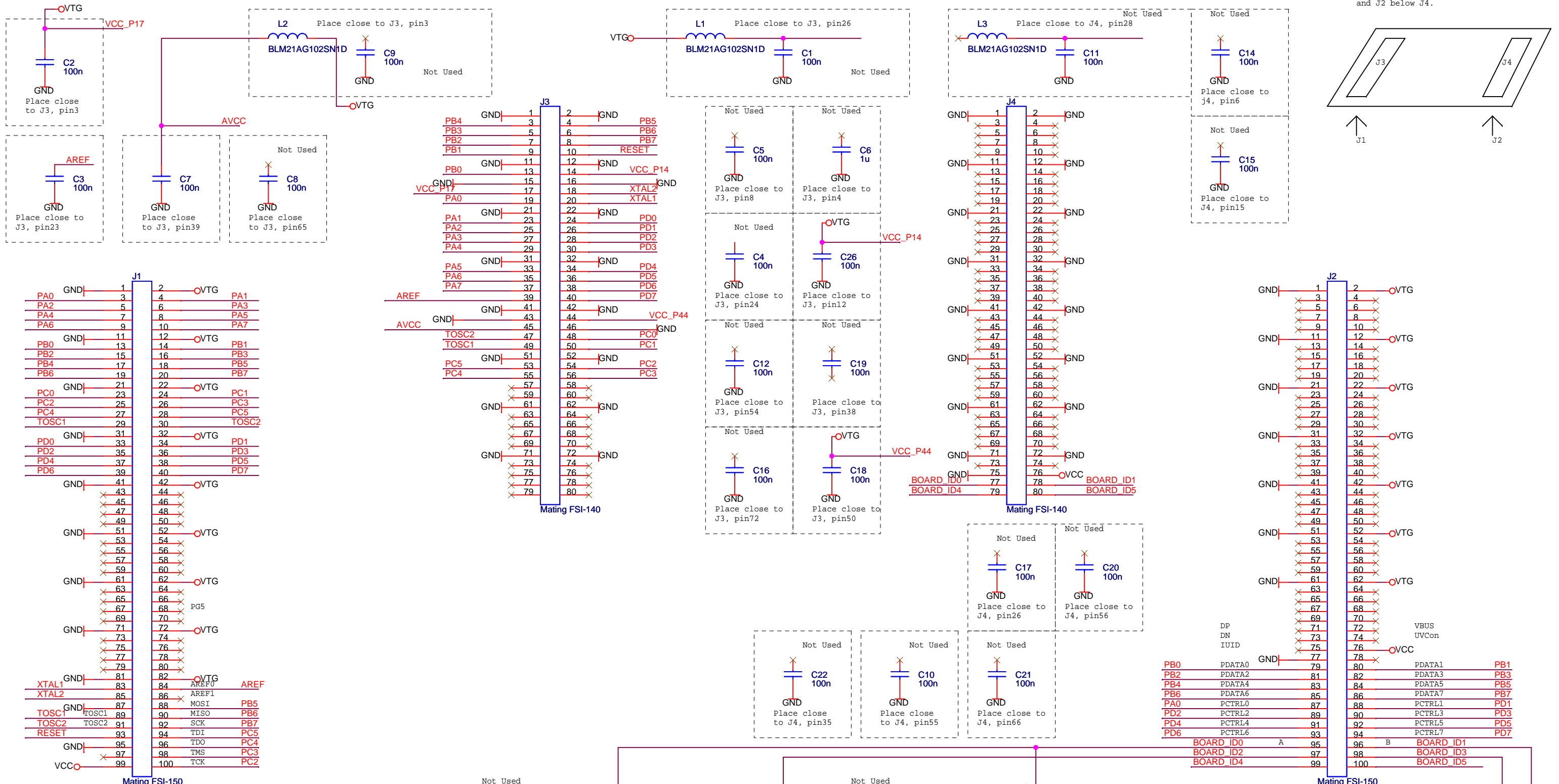


STK600-RC044M-31 (qfp version of RC040M-5)



DP	PDATA0	PDATA1	PB1
DN	PDATA2	PDATA3	PB3
IUID	PDATA4	PDATA5	PB5
	PDATA6	PDATA7	PB7
	PCTRL0	PCTRL1	PD1
	PCTRL2	PCTRL3	PD3
	PCTRL4	PCTRL5	PD5
	PCTRL6	PCTRL7	PD7
BOARD_ID0	A	BOARD_ID1	
BOARD_ID2	B	BOARD_ID3	
BOARD_ID4		BOARD_ID5	
	99		

Board id 0x29, id2: A/B id3: A XOR B

Mouser Electronics

Authorized Distributor

Click to View Pricing, Inventory, Delivery & Lifecycle Information:

[Microchip:](#)

[ATSTK600-RC31](#)