

32-Kbit SPI Serial EEPROM with 128-Bit Serial Number and Enhanced Write Protection

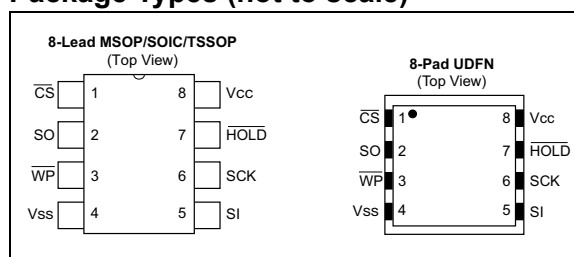
Features

- 32-Kbit Serial EEPROM:
 - 4,096 x 8 bit organization
 - Page size of 32 bytes
 - Byte or sequential reads
 - Byte or page writes
 - Self-timed write cycle (4 ms maximum)
- Security Register:
 - Preprogrammed 128-bit serial number
 - 32-byte user-programmable, lockable ID page
- Built-in Error Correction Code (ECC) Logic:
 - ECC Status bit via the STATUS register
- Undervoltage Lockout Detection
- JEDEC® SPI Manufacturer Read ID Support
- High-Speed Clock Frequency:
 - 20 MHz at $V_{CC} \geq 4.5V$
 - 10 MHz at $V_{CC} \geq 2.5V$
 - 5 MHz at $V_{CC} \geq 1.7V$
- Legacy Write Protection Mode:
 - Block protection functionality (quarter, half or entire memory array)
- Enhanced Write Protection Mode:
 - User-definable memory partitions
 - Each partition can be set independently and has unique protection behavior
- Low-Power CMOS Technology:
 - Voltage range: 1.7V to 5.5V
 - Write current: 5.0 mA at 5.5V, 20 MHz
 - Read current: 3.0 mA at 4.5V, 10 MHz
 - Standby current: 1.0 μA at 5.5V (I-Temp.)
- High Reliability:
 - More than one million erase/write cycles
 - Built-in ECC logic for increased reliability
 - Data retention: >200 years
 - ESD protection: >4000V
- Temperature Ranges:
 - Industrial (I): -40°C to +85°C
 - Extended (E): -40°C to +125°C
 - Extended (H): -40°C to +150°C

Packages

- 8-Lead MSOP
- 8-Lead SOIC
- 8-Lead TSSOP
- 8-Pad UDFN

Package Types (not to scale)



Pin Function Table

Name	Function
\overline{CS}	Chip Select Input
SO	Serial Data Output
\overline{WP}	Write-Protect Pin
Vss	Ground
SI	Serial Data Input
SCK	Serial Clock Input
\overline{HOLD}	Hold Input
Vcc	Supply Voltage

25CS320

General Description

The Microchip Technology Inc. 25CS320 provides 32 Kbits of Serial EEPROM utilizing the Serial Peripheral Interface (SPI) compatible bus. The device is organized as 4,096 bytes of 8 bits each (4-Kbyte) and is optimized for use in consumer and industrial applications where reliable and dependable nonvolatile memory storage is essential. The 25CS320 is capable of operation across a broad voltage range (1.7V to 5.5V).

The bus signals required are a clock input (SCK) plus separate data in (SI) and data out (SO) lines. Access to the device is controlled through a Chip Select ($\overline{\text{CS}}$) input. Communication to the device can be paused via the $\overline{\text{HOLD}}$ pin. While the device is paused, transitions on its inputs will be ignored, with the exception of Chip Select, allowing the host to service higher priority interrupts.

The 25CS320 features a nonvolatile Security register independent of the 32-Kbit main memory array. The first half of the Security register is read-only and contains a factory-programmed, globally unique, 128-bit serial number in the first 16 bytes. The 128-bit serial number is unique across the entire CS series of Serial EEPROM products and eliminates the time-consuming step of performing and ensuring serialization of a product on a manufacturing line. The 128-bit read-only serial number is followed by an additional 32 bytes of user-programmable EEPROM. The user-programmable section of the Security register can later be permanently write-protected via a software sequence.

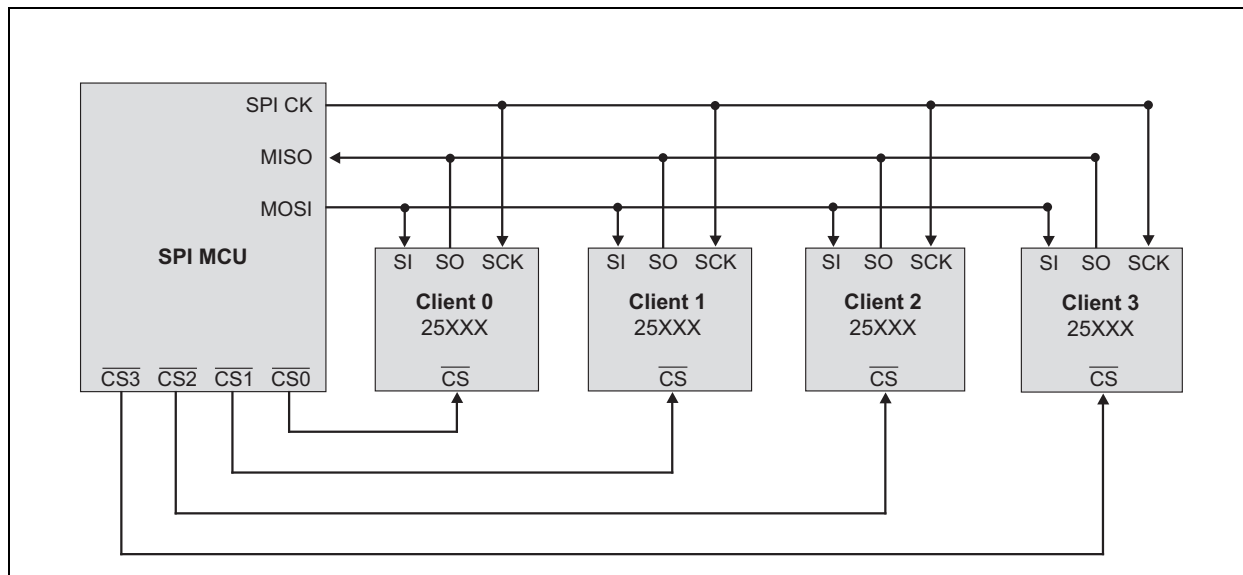
The 25CS320 features a configurable write protection scheme, which allows the user to select Legacy Write Protection mode or Enhanced Write Protection mode. Legacy Write Protection mode enables the Block Protection function via the STATUS register. Enhanced Write Protection mode segments the memory into independent partitions. Each partition can be configured to inhibit writing based on the status of the Memory Partition register setting.

To protect against brown-out events, an undervoltage lockout detection circuit inhibits all write sequences when VCC supply voltage drops below the set voltage level. The voltage level is configurable via the Undervoltage Lockout Detection (UVLO) register.

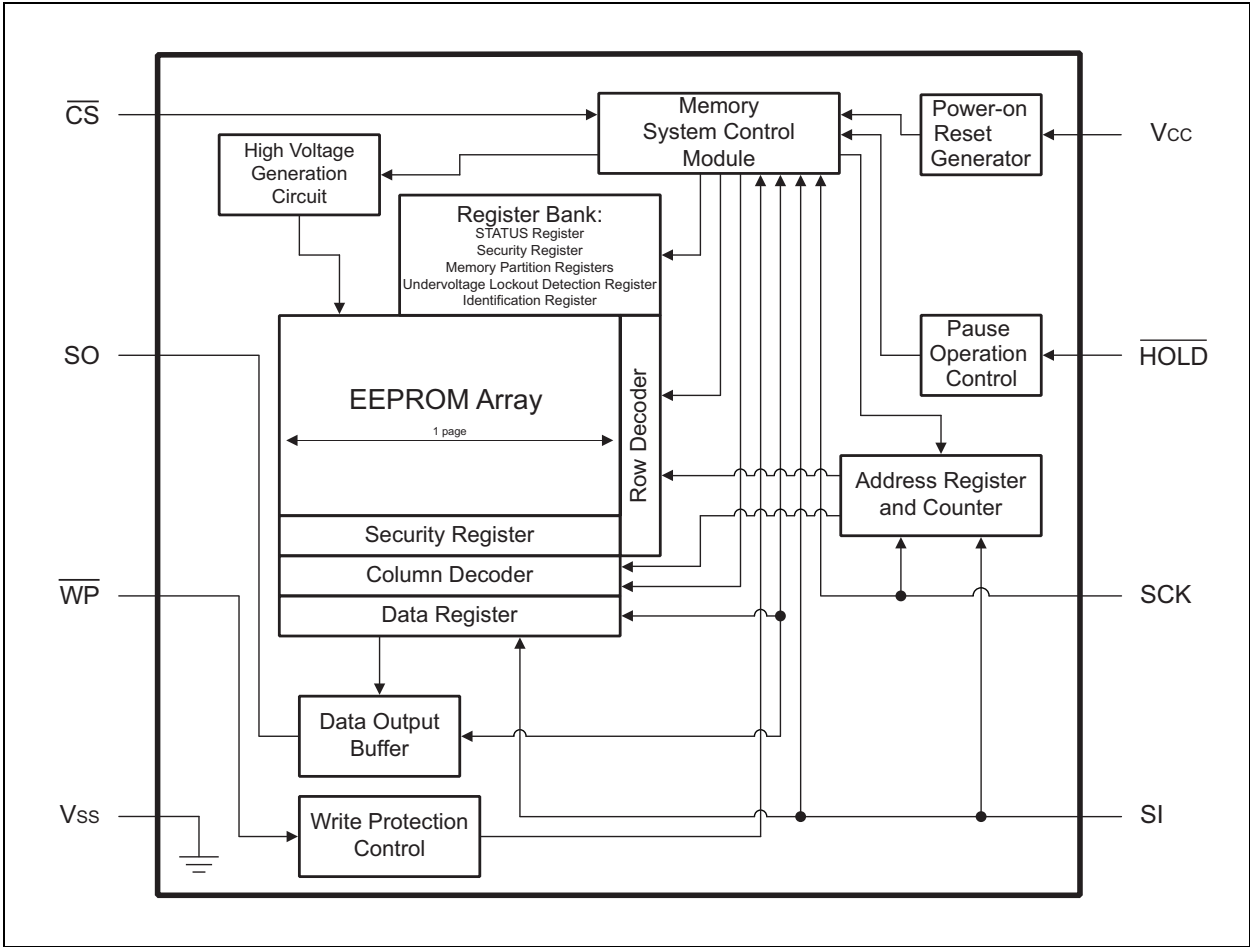
For added reliability, the 25CS320 utilizes a built-in Error Correction Code (ECC) scheme. This scheme can correct up to one incorrectly read bit within a four-byte readout. Additionally, the 25CS320 includes a flag in the STATUS register to report if any errors were detected and corrected in the most recent memory array read sequence.

The 25CS320 features an Identification register that contains identification information that can be read from the device. This enables the application to electronically query and identify the 25CS320 while it is in the system. The identification method and the instruction opcode comply with the JEDEC[®] standard for “Manufacturer and Device ID Read Methodology for SPI Compatible Serial Interface Memory Devices”. The type of information that can be read from the device includes the JEDEC[®] defined Manufacturer ID, the vendor-specific Device ID and the vendor-specific Extended Device Information (EDI).

Bus Connections for the 25CS320



Block Diagram



25CS320

1.0 ELECTRICAL CHARACTERISTICS

Absolute Maximum Ratings (†)

V _{CC}	6.25V
All inputs and outputs w.r.t. V _{SS}	0.6V to V _{CC} +1.0V
Storage temperature	-65°C to +155°C
Ambient temperature under bias.....	-40°C to +150°C ⁽¹⁾
ESD protection on all pins.....	4 kV

Note 1: AEC-Q100 reliability testing for devices intended to operate at +150°C is 1,000 hours. Any design in which the total operating time between +125°C and +150°C will be greater than 1,000 hours is not warranted without prior written approval from Microchip Technology Inc.

† **NOTICE:** Stresses above those listed under “Absolute Maximum Ratings” may cause permanent damage to the device. This is a stress rating only, and functional operation of the device at those or any other conditions above those indicated in the operational listings of this specification is not implied. Exposure to maximum rating conditions for extended periods may affect device reliability.

TABLE 1-1: DC CHARACTERISTICS

DC CHARACTERISTICS			Electrical Characteristics: Industrial (I): T _{AMB} = -40°C to +85°C V _{CC} = 1.7V to 5.5V Extended (E): T _{AMB} = -40°C to +125°C V _{CC} = 1.8V to 5.5V Extended (H): T _{AMB} = -40°C to +150°C V _{CC} = 2.5V to 5.5V				
Param. No.	Symbol	Characteristic	Min.	Typical	Max.	Units	Test Conditions
D001	V _{IH}	High-Level Input Voltage	V _{CC} x 0.7	—	V _{CC} + 1	V	
D002	V _{IL}	Low-Level Input Voltage	-0.6	—	V _{CC} x 0.3	V	
D003	V _{OL}	Low-Level Output Voltage	—	—	0.4	V	I _{OL} = 3.0 mA, V _{CC} = 4.5V
			—	—	0.2	V	I _{OL} = 1.0 mA, V _{CC} = 2.5V
D004	V _{OH}	High-Level Output Voltage	V _{CC} - 0.5	—	—	V	I _{OH} = -400 μA
D005	I _{LI}	Input Leakage Current	—	—	±1	μA	\overline{CS} = V _{CC} , V _{IN} = V _{SS} or V _{CC}
D006	I _{LO}	Output Leakage Current	—	—	±1	μA	\overline{CS} = V _{CC} , V _{OUT} = V _{SS} or V _{CC}
D007	C _{INT}	Internal Capacitance (all inputs and outputs)	—	—	7	pF	T _A = 25°C, F _{CLK} = 1.0 MHz, V _{CC} = 5.0V (Note 1)
D008	I _{CCREAD}	Operating Current	—	—	5	mA	V _{CC} = 5.5V, F _{CLK} = 20 MHz, SO = Open
			—	—	3	mA	V _{CC} = 4.5V, F _{CLK} = 10 MHz, SO = Open
			—	—	2	mA	V _{CC} = 2.5V, F _{CLK} = 5 MHz, SO = Open
D009	I _{CCWRITE}	Operating Current	—	—	5	mA	V _{CC} = 5.5V
			—	—	3	mA	V _{CC} = 2.5V

Note 1: This parameter is not 100% tested but is ensured by characterization.

TABLE 1-1: DC CHARACTERISTICS (CONTINUED)

DC CHARACTERISTICS (Continued)			Electrical Characteristics: Industrial (I): T _{AMB} = -40°C to +85°C V _{CC} = 1.7V to 5.5V Extended (E): T _{AMB} = -40°C to +125°C V _{CC} = 1.8V to 5.5V Extended (H): T _{AMB} = -40°C to +150°C V _{CC} = 2.5V to 5.5V				
Param. No.	Symbol	Characteristic	Min.	Typical	Max.	Units	Test Conditions
D010	I _{CCS}	Standby Current	—	—	10	μA	CS = V _{CC} = 5.5V, T _{AMB} = +150°C, V _{IN} = V _{CC} or V _{SS}
			—	—	5	μA	CS = V _{CC} = 5.5V, T _{AMB} = +125°C, V _{IN} = V _{CC} or V _{SS}
			—	—	1	μA	CS = V _{CC} = 5.5V, T _{AMB} = +85°C, V _{IN} = V _{CC} or V _{SS}
D011	V _{UVL}	Undervoltage Lockout Level (Note 1)	1.4	1.5	1.6	V	V _{UVL} [4:0] = 00000
			1.5	1.6	1.7	V	V _{UVL} [4:0] = 00001
			1.6	1.7	1.8	V	V _{UVL} [4:0] = 00010
			1.7	1.8	1.9	V	V _{UVL} [4:0] = 00011
			1.8	1.9	2.0	V	V _{UVL} [4:0] = 00100
			1.9	2.0	2.1	V	V _{UVL} [4:0] = 00101
			2.0	2.1	2.2	V	V _{UVL} [4:0] = 00110
			2.1	2.2	2.3	V	V _{UVL} [4:0] = 00111
			2.2	2.3	2.4	V	V _{UVL} [4:0] = 01000
			2.3	2.4	2.5	V	V _{UVL} [4:0] = 01001
			2.4	2.5	2.6	V	V _{UVL} [4:0] = 01010
			2.5	2.6	2.7	V	V _{UVL} [4:0] = 01011
			2.5	2.7	2.9	V	V _{UVL} [4:0] = 01100
			2.6	2.8	3.0	V	V _{UVL} [4:0] = 01101
			2.7	2.9	3.1	V	V _{UVL} [4:0] = 01110
			2.8	3.0	3.2	V	V _{UVL} [4:0] = 01111
			2.9	3.1	3.3	V	V _{UVL} [4:0] = 10000
			3.0	3.2	3.4	V	V _{UVL} [4:0] = 10001
			3.1	3.3	3.5	V	V _{UVL} [4:0] = 10010
			3.2	3.4	3.6	V	V _{UVL} [4:0] = 10011
			3.3	3.5	3.7	V	V _{UVL} [4:0] = 10100
			3.4	3.6	3.8	V	V _{UVL} [4:0] = 10101
			3.5	3.7	3.9	V	V _{UVL} [4:0] = 10110
			3.6	3.8	4.0	V	V _{UVL} [4:0] = 10111
3.7	3.9	4.1	V	V _{UVL} [4:0] = 11000			
3.8	4.0	4.2	V	V _{UVL} [4:0] = 11001			
3.9	4.1	4.3	V	V _{UVL} [4:0] = 11010			
4.0	4.2	4.4	V	V _{UVL} [4:0] = 11011			
4.1	4.3	4.5	V	V _{UVL} [4:0] = 11100			
4.2	4.4	4.6	V	V _{UVL} [4:0] = 11101			
4.3	4.5	4.7	V	V _{UVL} [4:0] = 11110			
4.4	4.6	4.8	V	V _{UVL} [4:0] = 11111			

Note 1: This parameter is not 100% tested but is ensured by characterization.

25CS320

TABLE 1-2: AC CHARACTERISTICS

AC CHARACTERISTICS			Electrical Characteristics: Industrial (I): T _{AMB} = -40°C to +85°C V _{CC} = 1.7V to 5.5V Extended (E): T _{AMB} = -40°C to +125°C V _{CC} = 1.8V to 5.5V Extended (H): T _{AMB} = -40°C to +150°C V _{CC} = 2.5V to 5.5V			
Param. No.	Symbol	Characteristic	Min.	Max.	Units	Test Conditions
1	FCLK	Clock Frequency	—	20	MHz	V _{CC} ≥ 4.5V, T _{AMB} ≤ +125°C
			—	10	MHz	V _{CC} ≥ 2.5V
			—	5	MHz	V _{CC} ≥ 1.7V
2	T _{CSS}	$\overline{\text{CS}}$ Setup Time	25	—	ns	V _{CC} ≥ 4.5V, T _{AMB} ≤ +125°C
			50	—	ns	V _{CC} ≥ 2.5V
			100	—	ns	V _{CC} ≥ 1.7V
3	T _{CSH}	$\overline{\text{CS}}$ Hold Time	25	—	ns	V _{CC} ≥ 4.5V, T _{AMB} ≤ +125°C
			50	—	ns	V _{CC} ≥ 2.5V
			100	—	ns	V _{CC} ≥ 1.7V
4	T _{CSD}	CS Disable Time	50	—	ns	
5	T _{SU}	Data Setup Time	5	—	ns	V _{CC} ≥ 4.5V, T _{AMB} ≤ +125°C
			10	—	ns	V _{CC} ≥ 2.5V
			20	—	ns	V _{CC} ≥ 1.7V
6	T _{HD}	Data Hold Time	5	—	ns	V _{CC} ≥ 4.5V, T _{AMB} ≤ +125°C
			10	—	ns	V _{CC} ≥ 2.5V
			20	—	ns	V _{CC} ≥ 1.7V
7	T _R	CLK Rise Time	—	2	μs	Note 1
8	T _F	CLK Fall Time	—	2	μs	Note 1
9	T _{HI}	Clock High Time	20	—	ns	V _{CC} ≥ 4.5V, T _{AMB} ≤ +125°C
			40	—	ns	V _{CC} ≥ 2.5V
			80	—	ns	V _{CC} ≥ 1.7V
10	T _{LO}	Clock Low Time	20	—	ns	V _{CC} ≥ 4.5V, T _{AMB} ≤ +125°C
			40	—	ns	V _{CC} ≥ 2.5V
			80	—	ns	V _{CC} ≥ 1.7V
11	T _{CLD}	Clock Delay Time	50	—	ns	
12	T _{CLE}	Clock Enable Time	50	—	ns	
13	T _V	Output Valid from Clock Low	—	20	ns	V _{CC} ≥ 4.5V, T _{AMB} ≤ +125°C
			—	40	ns	V _{CC} ≥ 2.5V
			—	80	ns	V _{CC} ≥ 1.7V
14	T _{HO}	Output Hold Time	0	—	ns	Note 1
15	T _{DIS}	Output Disable Time	—	20	ns	V _{CC} ≥ 4.5V, T _{AMB} ≤ 125°C (Note 1)
			—	40	ns	V _{CC} ≥ 2.5V (Note 1)
			—	80	ns	V _{CC} ≥ 1.7V (Note 1)
16	T _{HS}	$\overline{\text{HOLD}}$ Setup Time	5	—	ns	V _{CC} ≥ 4.5V, T _{AMB} ≤ +125°C
			10	—	ns	V _{CC} ≥ 2.5V
			20	—	ns	V _{CC} ≥ 1.7V

Note 1: This parameter is not 100% tested but is ensured by characterization.

2: T_{WC} begins on the rising edge of $\overline{\text{CS}}$ after a valid write sequence and ends when the internal write cycle is complete.

TABLE 1-2: AC CHARACTERISTICS (CONTINUED)

AC CHARACTERISTICS			Electrical Characteristics: Industrial (I): T _{AMB} = -40°C to +85°C V _{CC} = 1.7V to 5.5V Extended (E): T _{AMB} = -40°C to +125°C V _{CC} = 1.8V to 5.5V Extended (H): T _{AMB} = -40°C to +150°C V _{CC} = 2.5V to 5.5V			
Param. No.	Symbol	Characteristic	Min.	Max.	Units	Test Conditions
17	T _{HH}	$\overline{\text{HOLD}}$ Hold Time	5	—	ns	V _{CC} ≥ 4.5V, T _{AMB} ≤ +125°C
			10	—	ns	V _{CC} ≥ 2.5V
			20	—	ns	V _{CC} ≥ 1.7V
18	T _{HZ}	$\overline{\text{HOLD}}$ Low to Output High Z	—	30	ns	V _{CC} ≥ 4.5V, T _{AMB} ≤ +125°C (Note 1)
			—	60	ns	V _{CC} ≥ 2.5V (Note 1)
			—	160	ns	V _{CC} ≥ 1.7V (Note 1)
19	T _{HV}	$\overline{\text{HOLD}}$ High to Output Valid	—	30	ns	V _{CC} ≥ 4.5V, T _{AMB} ≤ +125°C
			—	60	ns	V _{CC} ≥ 2.5V
			—	160	ns	V _{CC} ≥ 1.7V
20	T _{UVL}	UVLO Detection Time	30	—	μs	
21	T _{WC}	Internal Write Cycle Time	—	4	ms	Note 2

Note 1: This parameter is not 100% tested but is ensured by characterization.

2: T_{WC} begins on the rising edge of $\overline{\text{CS}}$ after a valid write sequence and ends when the internal write cycle is complete.

FIGURE 1-1: INPUT TEST WAVEFORMS AND MEASUREMENT LEVELS

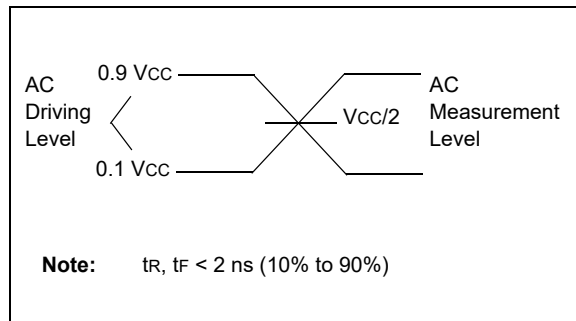
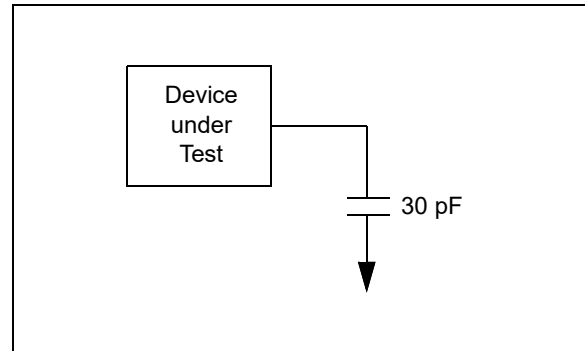


FIGURE 1-2: OUTPUT TEST LOAD



25CS320

FIGURE 1-3: SERIAL INPUT TIMING

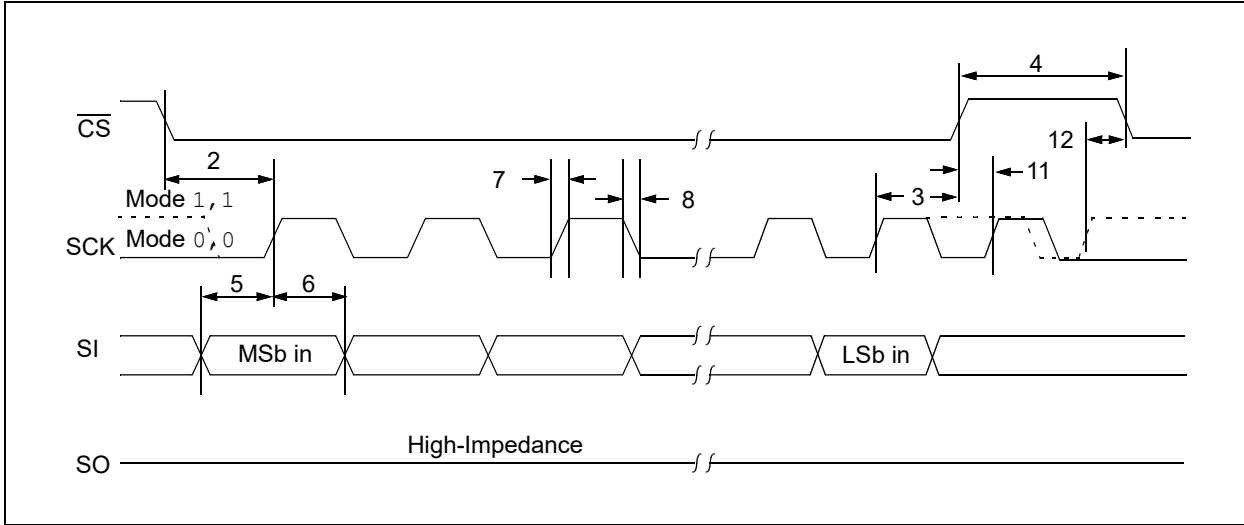


FIGURE 1-4: SERIAL OUTPUT TIMING

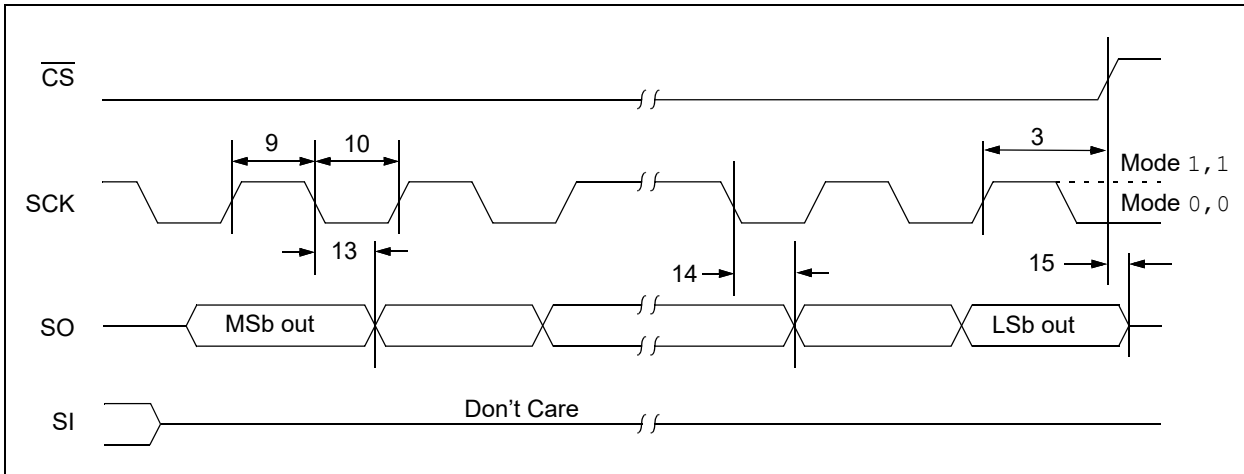


FIGURE 1-5: HOLD TIMING

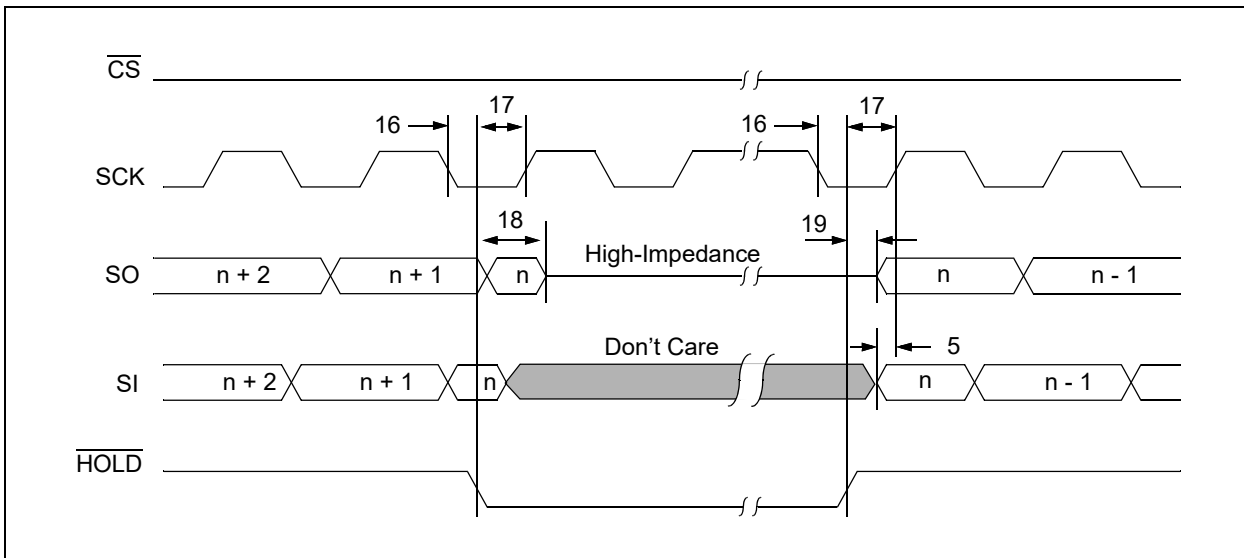


TABLE 1-3: EEPROM CELL PERFORMANCE CHARACTERISTICS

Operation	Test Condition	Min.	Max.	Units
Write Endurance ^(1,2)	TA = +25°C	4,000,000	—	Write Cycles
	TA = +85°C	1,200,000	—	
	TA = +125°C	600,000	—	
	TA = +150°C	400,000	—	
Data Retention ⁽¹⁾	TA = +55°C	200	—	Years

Note 1: Performance is determined through characterization and the qualification process.

- 2:** Due to the memory array architecture, the write cycle endurance is specified for write sequences in groups of four data bytes. The beginning of any 4-byte boundaries can be determined by multiplying any integer (N) by four (i.e., 4*N). The end address can be found by adding three to the beginning value (i.e., 4*N+3). See [Section 8.2 “Error Correction Code \(ECC\) Architecture”](#) for more details on this implementation.

1.1 Power-Up Requirements and Default Conditions

During a power-up sequence, the VCC supplied to the 25CS320 should monotonically rise from VSS to the minimum VCC level, as specified in [Table 1-1](#), with a slew rate no faster than 0.1 V/μs.

1.1.1 DEVICE POWER-ON RESET

TABLE 1-4: POWER-UP CONDITIONS

Symbol	Parameter	Min.	Max.	Units
TVCSL	Minimum VCC to Chip Select Low Time	100	—	μs
VPOR	Power-on Reset Threshold Voltage	—	1.5	V
TPOFF	Minimum time at VCC = 0V between power cycles	1	—	ms

To prevent spurious events from happening during a power-up sequence, the 25CS320 includes a Power-on Reset (POR) circuit. Upon power-up, the device will not respond to any instructions until the VCC level crosses the internal voltage threshold (VPOR) that brings the device out of Reset and into Standby mode.

Microchip recommends that \overline{CS} follows the rise of VCC at power-up through the use of a pull-up resistor. The system designer must ensure that no instruction is sent to the device and \overline{CS} is driven high until the VCC supply reaches a stable value greater than the minimum VCC level. Once VCC has surpassed the minimum level, the SPI host must wait at least TVCSL before asserting the CS pin. See [Table 1-4](#) for the values associated with these power-up parameters.

If an event occurs in the system where the VCC level supplied to the 25CS320 drops below the maximum VPOR level specified, it is recommended that a full power cycle sequence be performed by first driving the VCC pin to VSS, waiting at least the minimum TPOFF time and then performing a new power-up sequence in compliance with the requirements defined in this section.

25CS320

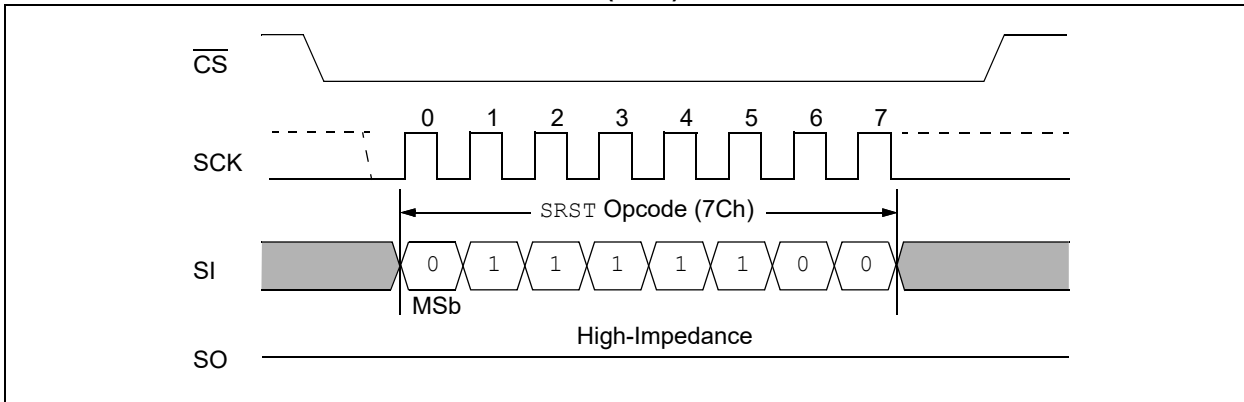
1.1.2 SOFTWARE DEVICE RESET

The 25CS320 includes a Software Device Reset ($SRST$) instruction that gives the user the opportunity to reset the device to its power-on default behavior ([Section 1.2 “Device Default State”](#)) without the need to power cycle the device. To execute this Reset, the \overline{CS} pin must first be driven low to select the device, and then a 7Ch opcode is clocked in on the SI pin.

Then the \overline{CS} pin can be driven high and the Reset mechanism will engage. The Reset will have internally completed by the time the minimum T_{CSD} time is satisfied.

Note: The $SRST$ instruction cannot interrupt the device while it is in a Busy state ([Section 6.1.4 “Ready/Busy Status Latch”](#)).

FIGURE 1-6: SOFTWARE DEVICE RESET ($SRST$) INSTRUCTION



1.2 Device Default State

1.2.1 POWER-UP DEFAULT STATE

The 25CS320 default state upon power-up consists of:

- Standby power mode (\overline{CS} = HIGH)
- A high-to-low-level transition on \overline{CS} , which is required to enter active state
- Write Enable Latch (WEL) bit in the STATUS register = 0
- Error Correction State Latch (ECS) bit in the STATUS register = 0
- Partition Register Write Enable Latch (PREL) bit in the STATUS register = 0
- Write Lockout State (WLS) bit in the STATUS register = 0
- Ready/Busy ($\overline{RDY}/\overline{BUSY}$) bit in the STATUS register = 0, indicating the device is ready to accept a new instruction

1.2.2 DEVICE FACTORY DEFAULT CONDITION

The 25CS320 is shipped to the customer with the EEPROM array set to an all FFh data pattern (logic '1' state).

The Security register contains a preprogrammed, 128-bit serial number in the lower 16 bytes. The user-programmable portion (lockable ID page) is unlocked and is set to logic '1', resulting in 32 bytes of FFh data.

In the various device registers, the following nonvolatile bits are set:

- Write Protection Enable (WPEN) bit in the STATUS register is set to logic '0' to allow writing to the STATUS register (see [Table 1-5](#)).
- Block Write-Protect (BP[1:0]) bits in the STATUS register are logic '0', indicating no write protection set when in Legacy mode (see [Table 1-5](#)).
- Write Protection Mode (WPM) bit in the STATUS register is set to logic '0', indicating the device is set to Legacy Write Protection mode (see [Table 1-6](#)).
- Freeze Memory Protection Configuration (FMPC) bit in the STATUS register is set to logic '0', indicating the Memory Partition Registers (MPRs) and the Write Protection Mode (WPM) bit are not locked and can be changed (see [Table 1-6](#)).
- Protect Address Boundary Protection (PABP) bit in the STATUS register is set to logic '0', indicating the partition endpoint address value in each MPR can be modified (see [Table 1-6](#)).
- Memory Partition Registers (MPR0-MPR3) are set to 00h, indicating that the entire 32-Kbit memory can be written to (see [Table 1-7](#)).
- Undervoltage Lockout Detection (UVLO) register is set to 00h, indicating that the UVLO function is not enabled and the undervoltage lockout detection level (V_{UVL}) is set to the minimum level (see [Table 1-8](#)).

TABLE 1-5: STATUS REGISTER BITS – BYTE 0 (FACTORY DEFAULT)

Bit 7	Bit 6	Bit 5	Bit 4	Bit 3	Bit 2	Bit 1	Bit 0
WPEN	Reserved	Reserved	Reserved	BP1	BP0	WEL ⁽¹⁾	$\overline{RDY}/\overline{BUSY}$ ⁽¹⁾
0	0	0	0	0	0	0	0

Note 1: These bits are volatile and are reset to this value upon power-up.

TABLE 1-6: STATUS REGISTER BITS – BYTE 1 (FACTORY DEFAULT)

Bit 7	Bit 6	Bit 5	Bit 4	Bit 3	Bit 2	Bit 1	Bit 0
WPM	ECS ⁽¹⁾	FMPC	PREL ⁽¹⁾	PABP	WLS ⁽¹⁾	Reserved	$\overline{RDY}/\overline{BUSY}$ ⁽¹⁾
0	0	0	0	0	0	0	0

Note 1: These bits are volatile and are reset to this value upon power-up.

25CS320

TABLE 1-7: MEMORY PARTITION REGISTER (FACTORY DEFAULT)

MPR No.	Bit 7	Bit 6	Bit 5	Bit 4	Bit 3	Bit 2	Bit 1	Bit 0
	Partition Behavior		Partition Endpoint Address					
			A11	A10	A9	A8	A7	A6
MPR0	0	0	0	0	0	0	0	0
MPR1	0	0	0	0	0	0	0	0
MPR2	0	0	0	0	0	0	0	0
MPR3	0	0	0	0	0	0	0	0

TABLE 1-8: UNDERVOLTAGE LOCKOUT DETECTION REGISTER (FACTORY DEFAULT)

Bit 7	Bit 6	Bit 5	Bit 4	Bit 3	Bit 2	Bit 1	Bit 0
Reserved	Reserved	UVLOEN	VUVL4	VUVL3	VUVL2	VUVL1	VUVL0
0	0	0	0	0	0	0	0

2.0 PIN DESCRIPTIONS

The descriptions of the pins are listed in [Table 2-1](#).

TABLE 2-1: PIN FUNCTION TABLE

Name	8-Lead MSOP	8-Lead SOIC	8-Lead TSSOP	8-Pad UDFN	Function
$\overline{\text{CS}}$	1	1	1	1	Chip Select Input
SO	2	2	2	2	Serial Data Output
$\overline{\text{WP}}$	3	3	3	3	Write-Protect
Vss	4	4	4	4	Ground
SI	5	5	5	5	Serial Data Input
SCK	6	6	6	6	Serial Clock Input
$\overline{\text{HOLD}}$	7	7	7	7	Hold Input
Vcc	8	8	8	8	Device Power Supply

2.1 Chip Select ($\overline{\text{CS}}$)

Asserting the $\overline{\text{CS}}$ pin selects the device. When the $\overline{\text{CS}}$ pin is deasserted, the device will be deselected and placed in Standby mode, and the SO pin will be in a high-impedance state. When the device is deselected, data will not be accepted on the SI pin.

A high-to-low transition on the $\overline{\text{CS}}$ pin is required to start a sequence and a low-to-high transition is required to end a sequence. For write sequences, the device will not enter Standby mode until the completion of the self-timed internal write cycle.

2.2 Serial Data Output (SO)

The SO pin is used to shift data out from the device. Data on the SO pin are always clocked out on the falling edge of SCK. The SO pin is in a high-impedance state whenever the device is deselected ($\overline{\text{CS}}$ is deasserted) as well as when the Hold function is engaged.

2.3 Write-Protect Pin ($\overline{\text{WP}}$)

The Write-Protect ($\overline{\text{WP}}$) pin can be used to protect the STATUS register and memory array contents via the Block Protection modes when Legacy Write Protection mode is enabled.

When Enhanced Write Protection mode is enabled, the $\overline{\text{WP}}$ pin can be used to protect any memory zone in accordance with how its corresponding Memory Partition registers are programmed.

2.4 Serial Data Input (SI)

Instructions, addresses and data are latched by the 25CS320 on the rising edge of the Serial Clock (SCK) line via the Serial Data Input (SI) pin.

2.5 Serial Clock (SCK)

The Serial Clock (SCK) pin is used to provide a clock signal to the device and is used to synchronize the flow of data to and from the device. Instructions, addresses and data present on SI pin are always latched in on the rising edge of SCK, while output data on the SO pin are always clocked out on the falling edge of SCK.

2.6 Hold ($\overline{\text{HOLD}}$)

When the device is selected and a serial communication sequence is underway, $\overline{\text{HOLD}}$ can be used to pause the communication with the host device without resetting the serial sequence.

25CS320

3.0 MEMORY ORGANIZATION

3.1 EEPROM Organization

The 25CS320 is internally organized as 128 pages of 32 bytes each.

3.2 Device Registers

The 25CS320 contains five types of registers that modulate device operation and/or report on the current status of the device. These registers are:

- STATUS register
- Security register
- Memory Partition registers (four total)
- Undervoltage Lockout Detection (UVLO) register
- Identification register

3.2.1 STATUS REGISTER

The STATUS register is a 16-bit combination of volatile and nonvolatile bits. It is used to modify the write protection functions as well as store various aspects of the current status of the device. Details about the STATUS register are covered in [Section 6.0 “STATUS Register”](#).

3.2.2 SECURITY REGISTER

The Security register is split into a read-only section and a user-programmable, lockable ID page section. The read-only section contains a preprogrammed, globally unique, 128-bit serial number.

The user-programmable (lockable ID page) section of the Security register is ideal for applications that need to irreversibly protect critical or sensitive application data from ever being altered. See [Section 9.0 “Security Register”](#) for more details about the Security register.

3.2.3 MEMORY PARTITION REGISTERS

The 25CS320 is equipped with four Memory Partition registers. Each register is an 8-bit nonvolatile register, which can be programmed with an ending address for the partition as well as determine the behavior of that partition. The partition protection can be set to one of four levels:

- Unprotected
- Software write-protected
- Hardware write-protected by the \overline{WP} pin
- Software write-protected with locked memory partition register

A complete description of the Memory Partition register function can be found in [Section 10.0 “Memory Partition Functionality”](#).

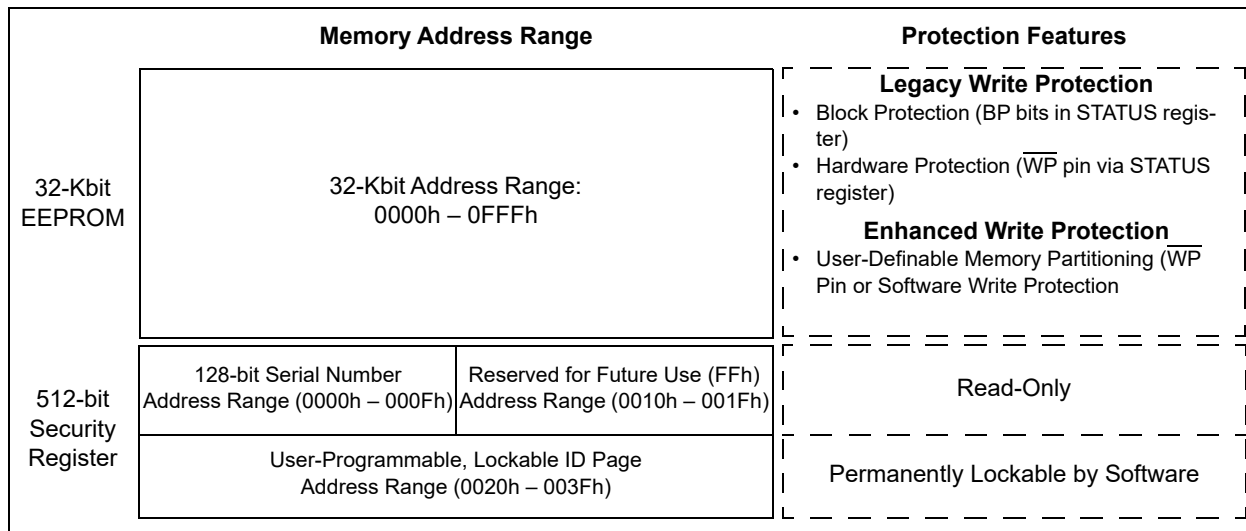
3.2.4 UNDERVOLTAGE LOCKOUT REGISTER

The Undervoltage Lockout Detection (UVLO) register is an 8-bit nonvolatile register that can be used to modify the threshold of the undervoltage detection circuit. Information on this function can be found in [Section 11.0 “Programmable UnderVoltage Lockout”](#).

3.2.5 IDENTIFICATION REGISTER

The Identification register is a 40-bit nonvolatile, read-only register that contains device identification data in compliance with the JEDEC® standard for “Manufacturer and Device ID Read Methodology for SPI Compatible Serial Interface Memory Devices.” The contents and format of the Identification register can be reviewed in [Section 12.0 “Identification Register”](#).

FIGURE 3-1: MEMORY ORGANIZATION



4.0 FUNCTIONAL DESCRIPTION

4.1 Device Operation

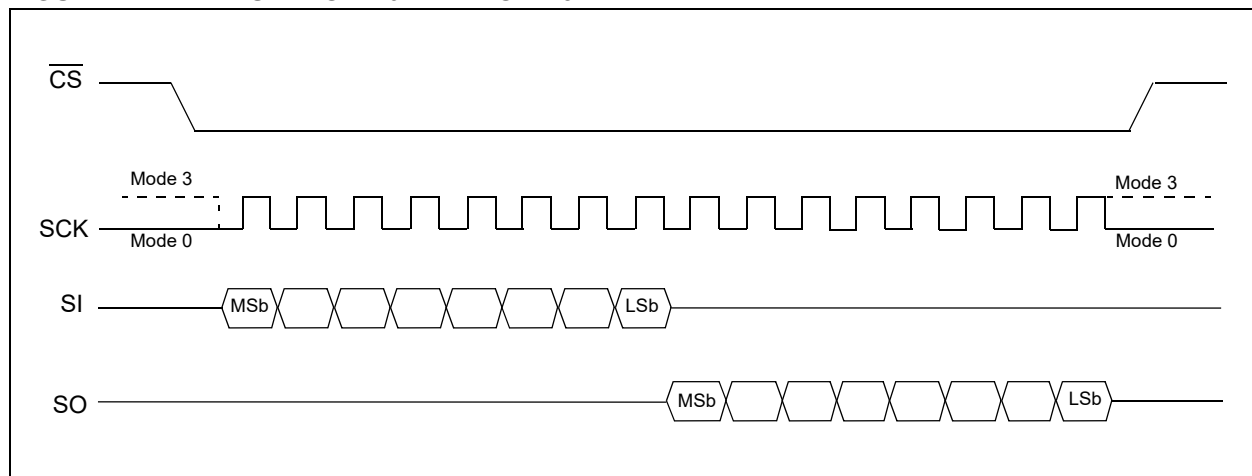
The 25CS320 is controlled by a set of instructions that are sent from a host controller, commonly referred to as the SPI host. The SPI host communicates with the 25CS320 via the SPI bus, which is comprised of four signal lines:

- Chip Select (\overline{CS})
- Serial Clock (SCK)
- Serial Input (SI)
- Serial Output (SO)

The SPI protocol defines a total of four modes of operation (Mode 0, 1, 2 or 3) with each mode differing in respect to the SCK polarity and phase and how the polarity and phase control the flow of data on the SPI bus. The 25CS320 supports the two most common modes, SPI Modes 0 and 3. With SPI Modes 0 and 3, data are always latched in on the rising edge of SCK and always output on the falling edge of SCK. The only difference between SPI Modes 0 and 3 is the polarity of the SCK signal when in the inactive state (when the SPI host is in Standby mode and not transferring any data). SPI Mode 0 is defined as a low SCK while \overline{CS} is not asserted (high), and SPI Mode 3 has SCK high in the inactive state. The SCK Idle state must match when the \overline{CS} is deasserted both before and after the communication sequence in SPI Mode 0 and 3.

The figures in this document depict Mode 0 with a solid line on SCK while \overline{CS} is inactive and Mode 3 with a dotted line.

FIGURE 4-1: SPI MODE 0 AND MODE 3



4.2 Interfacing the 25CS320 on the SPI Bus

Communication to and from the 25CS320 must be initiated by the SPI host device. The SPI host device must generate the serial clock for the 25CS320 on the SCK pin. The 25CS320 always operates as a client due to the fact that the Serial Clock pin (SCK) is always an input.

4.2.1 SELECTING THE DEVICE

The 25CS320 is selected when the \overline{CS} pin is low. When the device is not selected, data will not be accepted via the SI pin, and the SO pin will remain in a high-impedance state.

4.2.2 SENDING DATA TO THE DEVICE

The 25CS320 uses the Serial Data Input (SI) pin to receive information. All instructions, addresses and data input bytes are clocked into the device with the Most Significant bit (MSb) first. The SI pin begins sampling on the first rising edge of the SCK line after the \overline{CS} has been asserted.

4.2.3 RECEIVING DATA FROM THE DEVICE

Data output from the device is transmitted on the Serial Data Output (SO) pin with the MSb output first. The SO data are latched on the falling edge of the first SCK clock cycle after the instruction and address bytes, if necessary, have been clocked into the device.

25CS320

4.3 Device Opcodes

4.3.1 SERIAL OPCODE

After the device is selected by driving \overline{CS} low, the first byte sent must be the opcode that defines the sequence to be performed.

The 25CS320 utilizes an 8-bit instruction register. The list of instructions and their operation codes or opcodes are contained in [Table 4-1](#). All instructions, addresses and data are transferred with the MSb first and are initiated with a high-to-low \overline{CS} transition.

TABLE 4-1: INSTRUCTION SET FOR 25CS320

Instruction	Instruction Description	Opcode	Address Bytes	Data Bytes	Reference Section	
STATUS Register Instructions						
RDSR	Read STATUS Register	05h	0000 0101	0	1 or 2	6.2
WRBP	Write Ready/Busy Poll	08h	0000 1000	0	1	6.1.4.1
WREN	Set Write Enable Latch (WEL)	06h	0000 0110	0	0	5.1
WRDI	Reset Write Enable Latch (WEL)	04h	0000 0100	0	0	5.2
WRSR	Write STATUS Register	01h	0000 0001	0	1 or 2	6.3
EEPROM and Security Register Instructions						
READ	Read from EEPROM Array	03h	0000 0011	2	1+	7.1
WRITE	Write to EEPROM Array (1 to 32 bytes)	02h	0000 0010	2	1+	8.0
RDEX	Read from the Security Register	83h	1000 0011	2	1+	9.1
WREX	Write to the Security Register	82h	1000 0010	2	1+	9.2
LOCK	Lock the Security Register (permanent)	82h	1000 0010	2	1	9.2.1
CHLK	Check Lock Status of Security Register	83h	1000 0011	2	1	9.2.2
Memory Partition Register Instructions						
RMPR	Read Contents of Memory Partition Registers	31h	0011 0001	2	1	10.3
PRWE	Set Memory Partition Write Enable Latch	07h	0000 0111	0	0	10.2.1
PRWD	Reset Memory Partition Write Enable Latch	0Ah	0000 1010	0	0	10.2.2
WMPR	Write Memory Partition Registers	32h	0011 0010	2	1	10.2.3
PPAB	Protect Partition Address Boundaries	34h	0011 0100	2	1	10.1.3
FRZR	Freeze Memory Protection Configuration (permanent)	37h	0011 0111	2	1	4.5.4
Identification Register Instructions						
SPID	Read the SPI Manufacturer ID Data	9Fh	1001 1111	0	5	12.1
Undervoltage Lockout Register Instructions						
RUVL	Read the Undervoltage Lockout Register	15h	0001 0101	0	1	11.2.1
WUVL	Write Undervoltage Lockout Register	11h	0001 0001	0	1	11.2.2
Device Reset Instruction						
SRST	Software Device Reset	7Ch	0111 1100	0	0	1.1.2

4.4 Hold Function

The $\overline{\text{HOLD}}$ pin is used to pause the serial communication with the device without having to stop or reset the clock sequence. Hold mode, however, does not have an effect on the internal write cycle. Therefore, if a write cycle is in progress, asserting the $\overline{\text{HOLD}}$ pin will not pause the operation, and the write cycle will continue until it is finished.

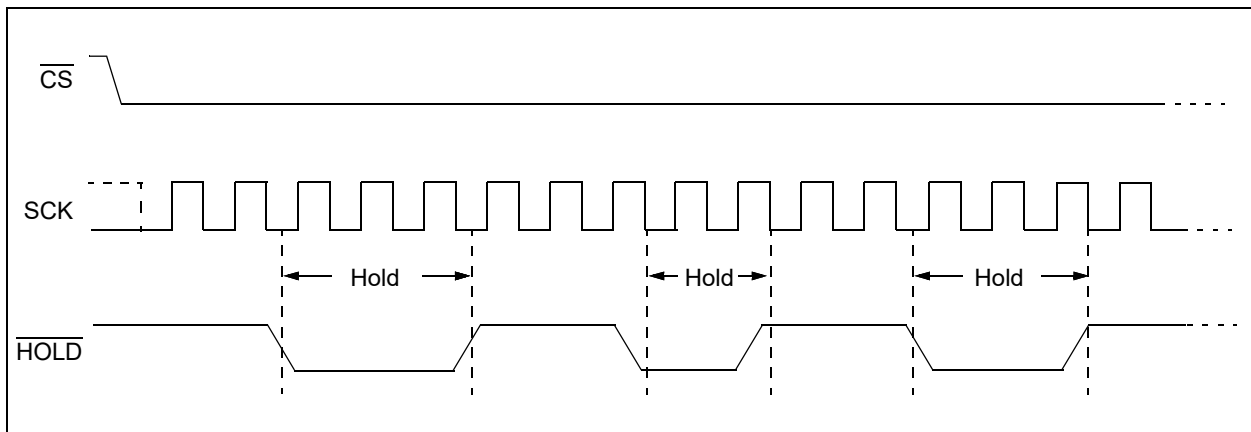
Hold mode can only be entered while the $\overline{\text{CS}}$ pin is asserted. Hold mode is activated by asserting the $\overline{\text{HOLD}}$ pin during the SCK low pulse. If the $\overline{\text{HOLD}}$ pin is asserted during the SCK high pulse, then Hold mode will not be started until the beginning of the next SCK low pulse. The device will remain in Hold mode as long as the $\overline{\text{HOLD}}$ and $\overline{\text{CS}}$ pins are asserted.

While in Hold mode, the SO pin will be in a high-impedance state. In addition, both the SI pin and the SCK pin will be ignored. The $\overline{\text{WP}}$ pin, however, can still be asserted or deasserted while in Hold mode.

To end Hold mode and resume serial communication, the $\overline{\text{HOLD}}$ pin must be deasserted during the SCK low pulse. If the $\overline{\text{HOLD}}$ pin is deasserted during the SCK high pulse, then Hold mode will not end until the beginning of the next SCK low pulse.

If the $\overline{\text{CS}}$ pin is deasserted while the $\overline{\text{HOLD}}$ pin is still asserted, then any sequence that may have been started will be aborted.

FIGURE 4-2: HOLD MODE



4.5 Write Protection

The 25CS320 write protection schemes are first controlled by the state of the Write Protection Mode (WPM) bit in the STATUS register (bit 7, byte 1). The device can be set for either Legacy Write Protection mode or Enhanced Write Protection mode by the state of the WPM bit.

The write protection mode can be made permanent by executing the `FRZR` instruction. This can be done in *both* Legacy Write Protection mode and Enhanced Write Protection mode. Refer to [Section 4.5.4 “Freeze Memory Protection Configuration \(FRZR\)”](#) for details.

4.5.1 LEGACY WRITE PROTECTION MODE

In Legacy Write Protection mode (factory default), the EEPROM array can only be programmed in accordance with how the Block Protect bits in the STATUS register are programmed. Refer to [Section 6.1.2 “Block Write-Protect Bits”](#) for details.

Additionally, the contents of the STATUS register can be protected by enabling the Write-Protect Enable (WPEN) bit in the STATUS register.

When the WPEN function is enabled, the STATUS register contents will be protected when the $\overline{\text{WP}}$ pin is asserted (low). Details about the WPEN function are provided in [Section 6.1.1 “Write-Protect Enable Bit”](#).

4.5.2 ENHANCED WRITE PROTECTION MODE

In Enhanced Write Protection mode, the EEPROM protection is determined by the contents of the Memory Partition Registers (MPRs). Each MPR can be programmed to specify the ending address of a given partition as well as to set the desired protection behavior of that partition.

Full details about the Memory Partition Registers can be found in [Section 10.0 “Memory Partition Functionality”](#).

Note: If Enhanced Write Protection mode is disabled, the MPRs will be ignored, regardless of their configured behavior.

4.5.3 WRITE-PROTECT PIN FUNCTION

While in both Legacy Write Protection mode and Enhanced Write Protection mode, writing to the STATUS register and the Memory Partition registers can be inhibited by enabling the WPEN bit in the STATUS register. When the WPEN function is enabled, the contents of these registers will be protected when the $\overline{\text{WP}}$ pin is asserted (low). In order for these registers to be protected, the $\overline{\text{WP}}$ pin must be asserted for the entire $\overline{\text{CS}}$ valid time. Details about the WPEN function are provided in [Section 6.1.1 “Write-Protect Enable Bit”](#).

If the internal write cycle has already been initiated, the $\overline{\text{WP}}$ pin going low will have no effect on any write sequence.

The $\overline{\text{WP}}$ pin function is blocked when the WPEN bit in the STATUS register is a logic '0'. This will allow the user to install the 25CS320 device in a system with the WP pin tied to Vss and still be able to write to the STATUS register. All $\overline{\text{WP}}$ pin functions are enabled when the WPEN bit is set to a logic '1'.

4.5.4 FREEZE MEMORY PROTECTION CONFIGURATION (FRZR)

The current state of the Memory Partition registers and write protection mode can be permanently frozen so that no further modifications of their contents are possible. This is accomplished by the use of the Freeze Memory Protection Configuration (FRZR) instruction. For additional information on the Memory Partition registers, refer to [Section 10.0 “Memory Partition Functionality”](#).

Note: The Write-Protect Enable (WPEN) and Block Protection (BP[1:0]) bits are not affected by the FRZR instruction.

Before a FRZR instruction can be issued, a WREN instruction must first be issued to set the WEL bit in the STATUS register to a logic '1', followed by a PRWE instruction to set the PREL bit to a logic '1'.

Once these two steps are complete, the FRZR instruction can be sent to the device.

Note: The FRZR instruction will be ignored if the WPEN bit (bit 7, byte 0) of the STATUS register is set to a logic '1' and the WP pin is asserted.

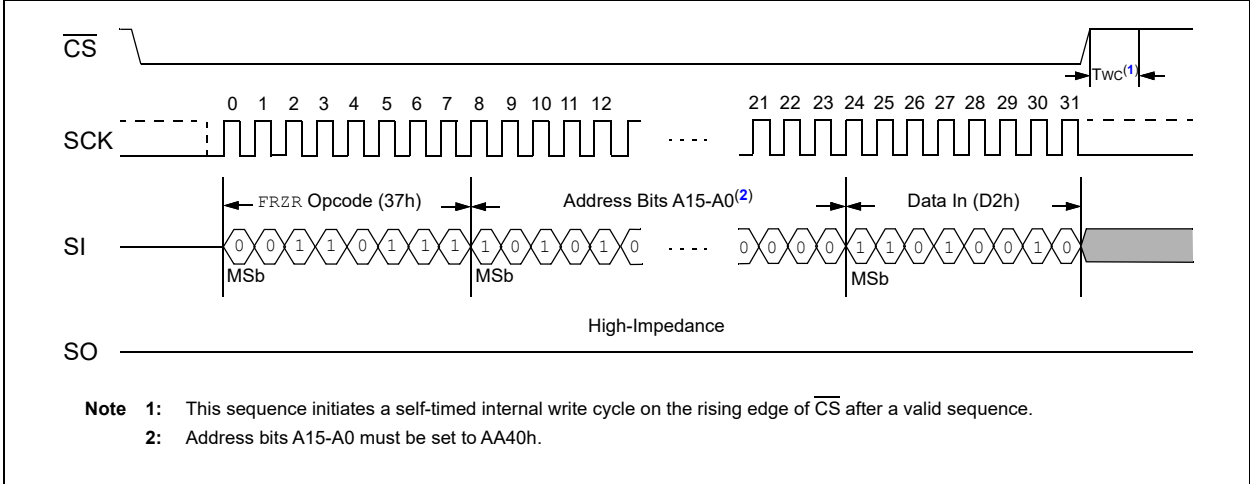
To freeze the state of the Memory Protection Configuration with the FRZR instruction, the $\overline{\text{CS}}$ pin must be driven low, followed by sending an opcode of 37h to the device on the SI line. Next, an address of AA40h is sent, followed by a confirmation data byte of D2h. Upon deasserting the $\overline{\text{CS}}$ pin, the device will begin a self-timed internal write cycle to set the FMPC bit and will freeze all four Memory Partition Registers and the Write Protection Mode (WPM) bit in the STATUS register.

Note: Once the Memory Partition Registers and WPM bit have been frozen, it will be impossible to change their state.

Once the write cycle is completed, the PREL bit and WEL bit in the STATUS register will be reset back to the logic '0' state, the WPM STATUS register bit (bit 7, byte 1) will be permanently set to its current state and the FMPC STATUS register bit (bit 5, byte 1) will be permanently set to a logic '1' to indicate that the Memory Protection Configuration has been frozen. If the registers and WPM bit have already been frozen, any attempt to issue the FRZR instruction will be ignored. The device will return to the Idle state once the $\overline{\text{CS}}$ pin has been deasserted.

Note: If the $\overline{\text{CS}}$ pin is deasserted before the end of the 32-bit sequence, the sequence will be aborted and no write cycle will take place.

FIGURE 4-3: FREEZE MEMORY PROTECTION CONFIGURATION (FRZR) SEQUENCE



5.0 WRITE ENABLE AND DISABLE

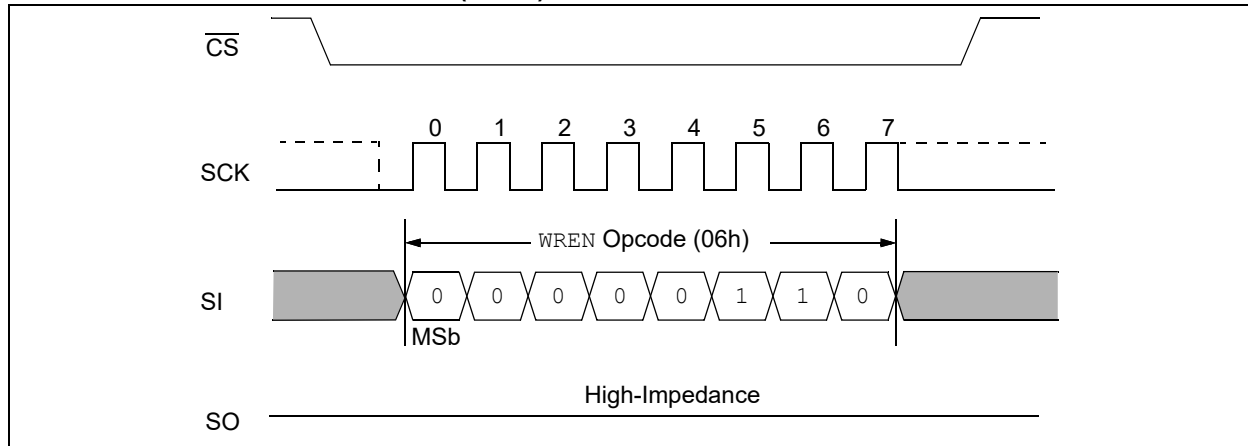
5.1 Write Enable Instruction (WREN)

The Write Enable Latch (WEL) bit of the STATUS register must be set to a logic '1' prior to each WRSR, WRITE, WREX, LOCK, PPWE, WMPR, PPAB, FRZR and WUVL instructions. Some of these sequences need further instructions prior to being executed and are noted in their corresponding section. The WEL bit is set to a logic '1' by sending a WREN (06h) instruction to the 25CS320. First, the CS pin is driven low to select the device and then a 06h instruction is clocked in on the SI pin. Then the CS pin is driven high. The WEL bit will be immediately updated in the STATUS register to a logic '1'.

The WEL bit will be reset to a logic '0' in the following circumstances:

- Upon power-up, as the power-on default condition is in the Write Disable state ([Section 1.2.2 “Device Factory Default Condition”](#))
- Upon the successful completion of any write sequence (WRITE, WRSR, WREX, LOCK, WMPR, PPAB, FRZR, WUVL)
- Upon execution of a Write Disable (WRDI) instruction ([Section 5.2 “Write Disable \(WRDI\) Instruction”](#))
- Upon execution of a Software Device Reset (SRST) instruction

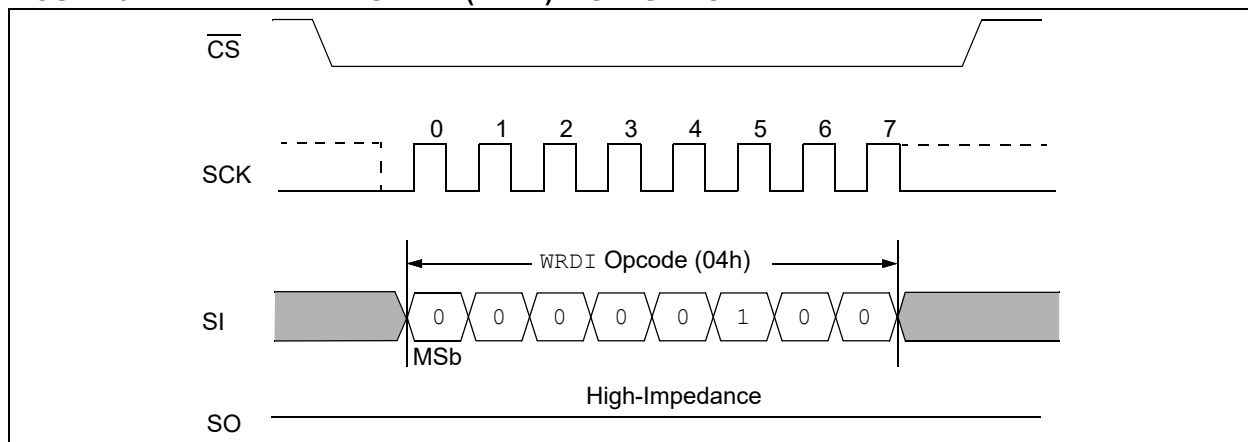
FIGURE 5-1: WRITE ENABLE (WREN) INSTRUCTION



5.2 Write Disable (WRDI) Instruction

To protect the device against inadvertent write sequences, the Write Disable (04h) instruction disables all programming modes by setting the WEL bit to a logic '0'. The WRDI instruction is independent of the WP pin state.

FIGURE 5-2: WRITE DISABLE (WRDI) INSTRUCTION



6.0 STATUS REGISTER

6.1 STATUS Register Bit Definition

The 25CS320 includes a 2-byte STATUS register, which is a combination of six nonvolatile bits of EEPROM and six volatile latches. The STATUS register bits modulate various features of the device, as shown in [Register 6-1](#) and [Register 6-2](#). These bits can be read or modified by specific instructions that are detailed in the subsequent sections.

REGISTER 6-1: STATUS REGISTER (BYTE 0)

R/W	U-0	U-0	U-0	R/W	R/W	R-0	R-0
WPEN	—	—	—	BP1	BP0	WEL	$\overline{\text{RDY/BSY}}$
bit 7							bit 0

Legend:

R = Readable bit	W = Writable bit	U = Unimplemented bit, read as '0'
-n = Value at POR	'1' = Bit is set	'0' = Bit is cleared
		x = Bit is unknown

- bit 7 **WPEN:** Write-Protect Enable
 1 = Write-Protect pin is enabled
 0 = Write-Protect pin is ignored
- bit 6-4 **Unimplemented:** Read as '0'
- bit 3-2 **BP[1:0]:** Block Protection (see [Table 6-2](#))
 00 = No array write protection
 01 = Upper quarter memory array protection
 10 = Upper half memory array protection
 11 = Entire memory array protection
- bit 1 **WEL:** Write Enable Latch
 1 = WREN instruction has been executed, and device is enabled for writing
 0 = Device is not write-enabled
- bit 0 **$\overline{\text{RDY/BSY}}$:** Ready/Busy Status Latch
 1 = Device is busy with an internal write cycle
 0 = Device is ready for a new sequence

25CS320

REGISTER 6-2: STATUS REGISTER (BYTE 1)

R/W	R-0	R	R-0	R	R-0	U-0	R-0
WPM	ECS	FMPC	PREL	PABP	WLS	—	RDY/BSY
bit 7							bit 0

Legend:

R = Readable bit	W = Writable bit	U = Unimplemented bit, read as '0'	
-n = Value at POR	'1' = Bit is set	'0' = Bit is cleared	x = Bit is unknown

- bit 7 **WPM:** Write Protection Mode⁽¹⁾
1 = Enhanced Write Protection mode selected
0 = Legacy Write Protection mode selected (factory default)
- bit 6 **ECS:** Error Correction State Latch
1 = The previous executed read sequence did require the Error Correction Code (ECC)
0 = The previous executed read sequence did not require the Error Correction Code (ECC)
- bit 5 **FMPC:** Freeze Memory Protection Configuration⁽²⁾
1 = Memory Partition registers and write protection mode are permanently frozen and cannot be modified
0 = Memory Partition registers and write protection mode are not frozen and are modifiable
- bit 4 **PREL:** Partition Register Write Enable Latch
1 = PRWE has been executed and WMPR, FRZR and PPAB instructions are enabled
0 = WMPR, FRZR and PPAB instructions are disabled
- bit 3 **PABP:** Partition Address Boundary Protection
1 = Partition Address Endpoints set in Memory Partition registers cannot be modified
0 = Partition Address Endpoints set in Memory Partition registers are modifiable
- bit 2 **WLS:** Write Lockout State
1 = The previous nonvolatile write sequence was blocked by the UVLO
0 = The previous nonvolatile write sequence was not blocked by the UVLO
- bit 1 **Unimplemented:** Read as '0'
- bit 0 **RDY/BSY:** Ready/Busy Status Latch
1 = Device is busy with an internal write cycle
0 = Device is ready for a new sequence

Note 1: If the FMPC bit is set to a logic '1', the WPM bit is read-only.

2: Once the FMPC bit has been set, it cannot be cleared.

6.1.1 WRITE-PROTECT ENABLE BIT

The Write-Protect Enable (WPEN) bit in the STATUS register (bit 7, byte 0) can be used in conjunction with the \overline{WP} pin to inhibit writing to the various registers within the device.

The device is hardware write-protected when *both* the \overline{WP} pin is low and the WPEN bit has been set to a logic '1'. The affected registers depend on the write protection mode selected.

The write protection mode is determined by the WPM bit in the STATUS register (bit 7, byte 1). Hardware write protection is disabled when *either* the \overline{WP} pin is deasserted (high) or the WPEN bit is a logic '0'.

Table 6-1 describes which registers will be protected from being modified. The $\overline{\text{WP}}$ pin must be asserted (low) to enable any protection capabilities.

TABLE 6-1: REGISTER BEHAVIOR IN LEGACY WRITE PROTECTION AND ENHANCED WRITE PROTECTION MODES

Write Protection Mode	$\overline{\text{WP}}$ Pin	WPEN Bit	STATUS Register	Memory Partition Registers	UVLO Register
Legacy or Enhanced	Low	0	Not Protected	Not Protected	Not Protected
	Low	1	Protected	Protected	Protected
	High	X	Not Protected	Not Protected	Not Protected

Note: When the WPEN bit is a logic '1', it cannot be changed back to a logic '0' as long as the $\overline{\text{WP}}$ pin is asserted (low).

When the device is hardware write-protected, the nonvolatile bits of the STATUS register (WPEN, BP1, BP0, WPM, FMPC, PABP) become read-only and the Write STATUS Register (WRSR), Freeze Memory Protection Configuration (FRZR), Protect Partition Address Boundaries (PPAB), Write Memory Partition Registers (WMPR), Lock the Security Register (LOCK) and Writing the Undervoltage Lockout Detector (WUVL) instructions will not be accepted.

6.1.2 BLOCK WRITE-PROTECT BITS

The 25CS320 contains four levels of EEPROM write protection using the Block Protection function. The nonvolatile Block Write-Protect bits (BP1, BP0) are located in bits three and two of the first STATUS register byte and define the region of the EEPROM and Security register that is to be treated as read-only. These values are only valid if the device has been set to Legacy Write Protection mode via the WPM STATUS register bit (byte 1, bit 7).

The four levels of array protection are:

- **Level 0** – No portion of the EEPROM is protected, while the lower 32 bytes of the Security register are read-only.
- **Level 1** – The upper quarter address range is write-protected, meaning the highest order 8-Kbits in the EEPROM are read-only. The lower 32 bytes of the Security register are read-only.
- **Level 2** – The upper half address range is write-protected, meaning the highest order 16-Kbits in the EEPROM are read-only. The lower 32 bytes of the Security register are read-only.
- **Level 3** – Both the EEPROM and Security register are write-protected, meaning all addresses are read-only.

The address ranges that are protected for each Block Write Protection level and corresponding STATUS register control bits are shown in Table 6-2.

TABLE 6-2: BLOCK WRITE-PROTECT BITS

Level	STATUS Register Byte 0 Bits [3:2]		Protected Address Range	
	BP1	BP0	Memory Region	25CS320
0	0	0	EEPROM	None
			Security Register	0000h-001Fh
1	0	1	EEPROM	0C00h-0FFFh
			Security Register	0000h-001Fh
2	1	0	EEPROM	0800h-0FFFh
			Security Register	0000h-001Fh
3	1	1	EEPROM	0000h-0FFFh
			Security Register	0000h-003Fh

Note: The Block Protection mechanism will only function with the WPM bit of the STATUS register (bit 7, byte 1) set to a logic '0', indicating Legacy Write Protection mode. If the WPM is set to logic '1', the device will respond in accordance with Enhanced Write Protection mode. For more details on Enhanced Write Protection mode, refer to [Section 10.1 "Enhanced Write Protection Mode"](#).

6.1.3 WRITE ENABLE LATCH

Enabling and disabling writing to any nonvolatile register, the EEPROM array, and the Security register is accomplished through the Write Enable ($WREN$) instruction, as shown in [Section 5.1 “Write Enable Instruction \(\$WREN\$ \)”](#), and the Write Disable ($WRDI$) instruction, as shown in [Section 5.2 “Write Disable \(\$WRDI\$ \) Instruction”](#). These functions change the state of the Write Enable Latch (WEL) bit (byte 0, bit 1) in the STATUS register.

6.1.4 $\overline{RDY}/\overline{BSY}$ STATUS LATCH

The $\overline{RDY}/\overline{BSY}$ Status Latch ($\overline{RDY}/\overline{BSY}$) is used to indicate whether the device is currently active in a nonvolatile write sequence. This bit is read-only and automatically updated by the device. This bit is provided in bit 0 of both STATUS register bytes.

A logic ‘1’ bit indicates that the device is currently busy performing a nonvolatile write sequence. During this time, only the Read STATUS Register ($RDSR$) and the Write Ready/Busy Poll ($WRBP$) instructions will be executed by the device.

A logic ‘0’ bit in this position indicates the device is ready to accept new instructions.

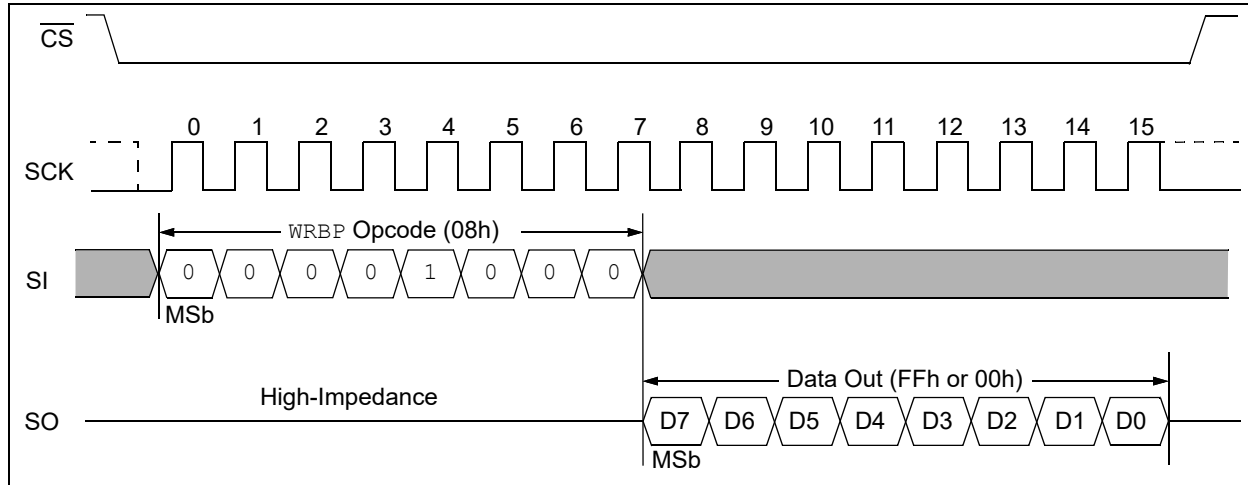
6.1.4.1 Write Ready/Busy Poll

The Write Ready/Busy Poll ($WRBP$) instruction provides direct access to the Ready/Busy STATUS register bit in an 8-bit format. The $WRBP$ instruction can be used after any nonvolatile write sequence as a means to check if the device has completed its internal write cycle.

This instruction will return an FFh value when the device is still busy completing the write cycle or a 00h value if the device is no longer in a write cycle.

Refer to [Section 8.3 “Polling Routine”](#) for a description on implementing a polling routine. Continuous reading of the $WRBP$ state is supported, and the value output by the device will be updated every eight bits.

FIGURE 6-1: WRITE READY/BUSY POLL ($WRBP$) SEQUENCE



6.1.5 WRITE PROTECTION MODE BIT

The 25CS320 write protection behavior is controlled by the nonvolatile Write Protection Mode (WPM) bit in the STATUS register. This bit is located in bit 7, byte 1 of the STATUS register. A logic '0' indicates the device is in Legacy Write Protection mode (factory default) whereas a logic '1' indicates the device is in Enhanced Write Protection mode.

The write protection modes control how the contents of the EEPROM and Security register as well as the various nonvolatile registers in the device can be inhibited from write sequences. An overview of the two protection modes can be found in [Section 4.5 “Write Protection”](#). Details on which nonvolatile registers are protected, in conjunction with the WP pin, can be found in [Section 6.1.1 “Write-Protect Enable Bit”](#).

The WPM bit in the STATUS register can only be modified using the WRSR instruction as described in [Section 6.3 “Write STATUS Register \(WRSR\)”](#).

The write protection mode can be made permanent by executing the FRZR instruction. This can be done in both Legacy Write Protection mode and Enhanced Write Protection mode. Refer to [Section 4.5.4 “Freeze Memory Protection Configuration \(FRZR\)”](#) for additional information.

6.1.6 ERROR CORRECTION STATE LATCH

The Error Correction State (ECS) bit indicates whether the on-chip Error Correction Code (ECC) logic scheme was invoked during the previous read sequence. For more information related to ECC, refer to [Section 8.2 “Error Correction Code \(ECC\) Architecture”](#).

The ECS bit will be set to logic '0' unless the previously executed read sequence required the use of the ECC logic scheme. When this occurs, the ECS bit will be set to logic '1'.

The ECS bit will continue to read a logic '1' until another read sequence occurs where the use of the ECC logic scheme is not required, a Power-on Reset (POR) event occurs or a Software Device Reset (SRST) instruction is sent to the 25CS320.

6.1.7 FREEZE MEMORY PROTECTION CONFIGURATION BIT

The Freeze Memory Protection Configuration (FMPC) bit resides in bit 5, byte 1 of the STATUS register. This bit is nonvolatile and One-Time-Programmable (OTP) with a factory default value of a logic '0'.

This bit can only be set to a logic '1' as a result of the Freeze Memory Protection Configuration (FRZR) instruction ([Section 4.5.4 “Freeze Memory Protection Configuration \(FRZR\)”](#)). This bit cannot be modified with a Write STATUS Register (WRSR) instruction.

Once this bit has been permanently set to a logic '1', the memory protection configuration cannot be changed.

6.1.8 PARTITION WRITE ENABLE LATCH

In addition to the WEL bit, enabling and disabling writing to the Memory Partition register is done by issuing the Set Memory Partition Write Enable Latch (PRWE), as shown in [Figure 10-3](#), and the Reset Memory Partition Write Enable Latch (PRWD), as shown in [Figure 10-4](#). These functions change the status of the PREL bit (byte 1, bit 4) in the STATUS register.

Note: The WEL bit must first be set before issuing the PRWE instruction, otherwise it is ignored.

6.1.9 PARTITION ADDRESS BOUNDARY PROTECTION BIT

The Partition Address Boundary Protection (PABP) bit is located in byte 1, bit 3 of the STATUS register. This bit can be read through an RDSR instruction but can only be set or cleared through a Protect Partition Address Boundary sequence (see [Section 10.1.3 “Protecting the Partition Endpoint Addresses”](#)). When programmed to a logic '1', the address range bits in the Memory Partition registers are read-only and cannot be modified, while the behavior bits can still be modified.

If the Freeze Memory Protection Configuration bit has been programmed to a logic '1', the address range and behavior bits are permanently read-only and cannot be modified, regardless of the state of the PABP bit.

6.1.10 WRITE LOCKOUT STATE BIT

The Write Lockout State (WLS) bit is located in byte 1, bit 2 of the STATUS register. This bit indicates whether the last write sequence was inhibited by the UVLO detection circuit (see [Section 11.0 “Programmable UnderVoltage Lockout”](#)). A logic '1' in this bit position indicates the previous write sequence was inhibited by UVLO. A logic '0' indicates the previous write sequence was not inhibited by UVLO.

The WLS bit will continue to read out a logic '1' until one of the following occurs:

- A Power-on Reset (POR) event occurs ([Section 1.1.1, Device Power-On Reset](#))
- A nonvolatile write op-code is sent to the device (WRITE, WRSR, WREX, LOCK, WMPR, PPAB, FRZR, WUVL)
- A Software Device Reset (SRST) instruction is executed

Note: The Write Lockout State (WLS) bit is only valid if the undervoltage lockout function is enabled.

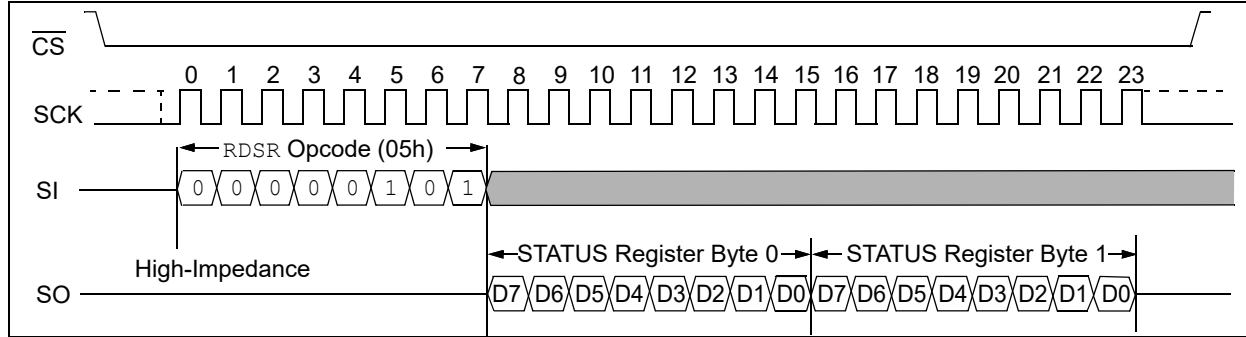
6.2 Read STATUS Register (RDSR)

The Read STATUS Register (RDSR) instruction provides access to the contents of the STATUS register. The STATUS register is read by asserting the CS pin and then by sending in a 05h opcode. The device will return the 16-bit STATUS register value on the SO pin.

The STATUS register can be continuously read for data by continuing to read beyond the first 16-bit value returned. The 25CS320 will update the value of the RDY/BSY, WEL and PREL bits in the STATUS register upon the completion of every eight bits, thereby allowing new STATUS register values to be read without having to issue a new RDSR instruction.

A new RDSR instruction needs to be initiated in order for the nonvolatile bits (WPEN, BP0, BP1 and WPM) in the STATUS register to be updated.

FIGURE 6-2: READ STATUS REGISTER (RDSR) SEQUENCE



6.3 Write STATUS Register (WRSR)

The Write STATUS Register (WRSR) instruction enables the SPI host to change selected bits of the STATUS register. Before a WRSR sequence can be initiated, a WREN instruction must be executed to set the WEL bit to logic '1'. Upon completion of a WREN instruction, a WRSR sequence can be executed.

The WRSR instruction will only modify:

- Byte 0: bit 7, bit 3 and bit 2
- Byte 1: bit 7

These modifiable bits are the Write-Protect Enable (WPEN) bit, the Block Protect (BP1, BP0) bits and the Write Protection Mode (WPM) bit.

These four bits are nonvolatile and have the same properties and functions as regular EEPROM bits. Their values are retained while power is removed from the device. While FMPC (byte 1, bit 5) and PABP (byte 1, bit 3) of the STATUS register are also nonvolatile bits, they are modified through dedicated instructions.

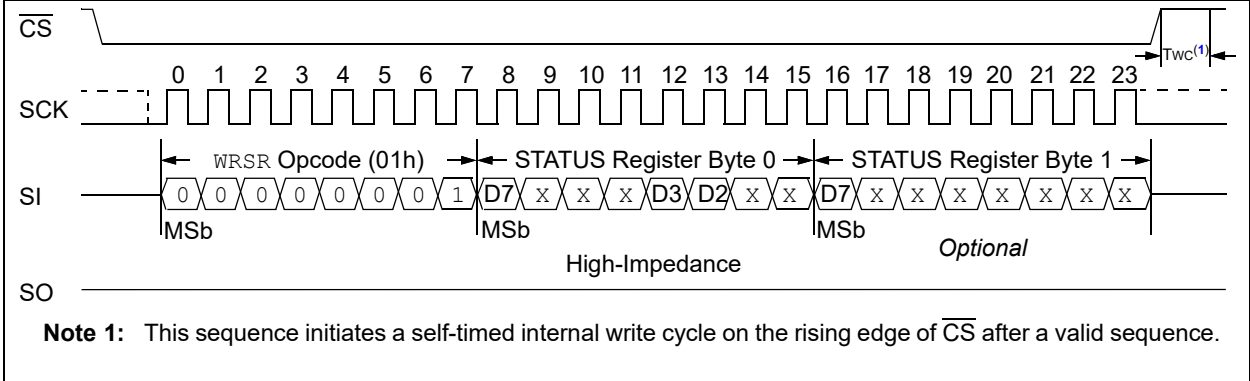
Refer to [Section 6.1.7 “Freeze Memory Protection Configuration Bit”](#) and [Section 10.1.3 “Protecting the Partition Endpoint Addresses”](#) for more details about these requirements.

When writing to the STATUS register, byte 0 must always be written. Byte 1 can optionally be written to utilize Enhanced Write Protection mode.

Note: If the CS pin is deasserted anywhere other than the end of an 8-bit byte boundary, the sequence will be aborted, and no write cycle will take place.

The 25CS320 will not respond to instructions other than a RDSR or a WRBP after a WRSR sequence until the self-timed internal write cycle has completed. When the write cycle has completed, the WEL bit in the STATUS register is reset to a logic '0'.

FIGURE 6-3: WRITE STATUS REGISTER (WRSR) SEQUENCE



7.0 READ SEQUENCES

7.1 Reading from the EEPROM

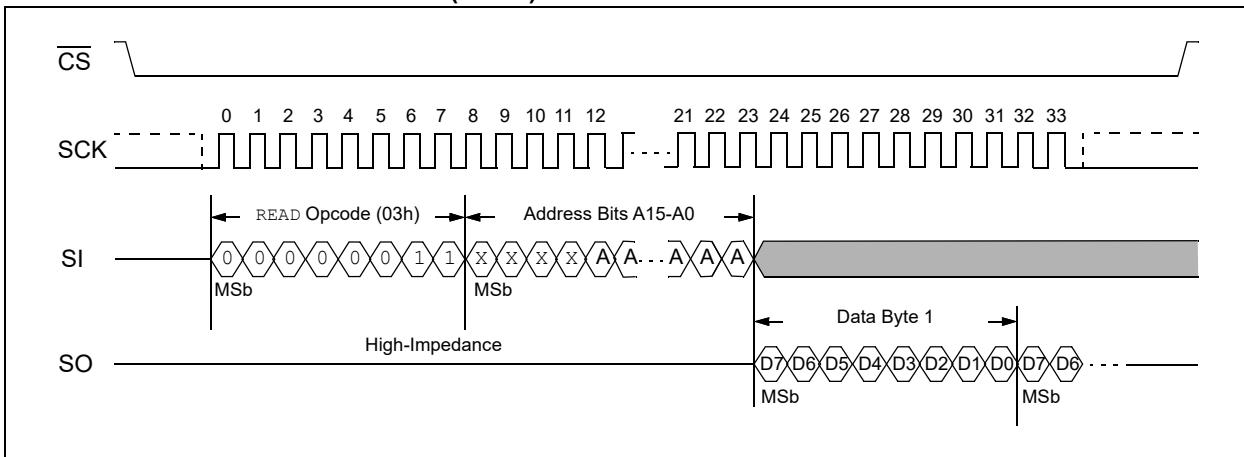
Reading the EEPROM contents can be done whenever the device is not in an internal write cycle, as indicated by the Ready/Busy bit of the STATUS register. To read the EEPROM, the \overline{CS} line is pulled low to select the device and the READ (03h) instruction is transmitted via the SI line, followed by the 16-bit address to be read. Address bits A15 through A12 are “don't care” bits because they do not fall within the addressable memory range.

Upon completion of the 16-bit address, any data on the SI line will be ignored. The data (D7–D0) at the specified address are then shifted out onto the SO line. If only one byte is to be read, the \overline{CS} line should be driven high after the data are clocked out.

The read sequence can be continued since the byte address is automatically incremented, and data will continue to be shifted out. When the highest address is reached, the address counter will roll over to the lowest address (0000h), allowing the entire memory to be read in one continuous read cycle, regardless of the starting address.

The read sequence can be terminated at any point in the sequence (drive \overline{CS} high).

FIGURE 7-1: READ EEPROM (READ) SEQUENCE



8.0 WRITE SEQUENCES

To program the EEPROM in the 25CS320, the device must be write-enabled via the Write Enable (*WREN*) instruction. If the device is not write-enabled, it will ignore the *WRITE* instruction and will return to the Standby state when \overline{CS} is brought high. The address of the memory location(s) to be programmed must be outside the protected address range(s) selected by the Block Write Protection level or the contents of the various Memory Partition registers. During an internal write cycle, all instructions will be ignored except the *RDSR* and the *WRBP* instructions.

8.1 Write Instruction Sequences

8.1.1 BYTE WRITE

Once a *WREN* instruction has been completed, a byte write sequence can be performed, as shown in Figure 8-1. After the \overline{CS} line is pulled low to select the device, the *WRITE* (02h) instruction is transmitted via the *SI* line, followed by the 16-bit address and the data (D7-D0) to be programmed.

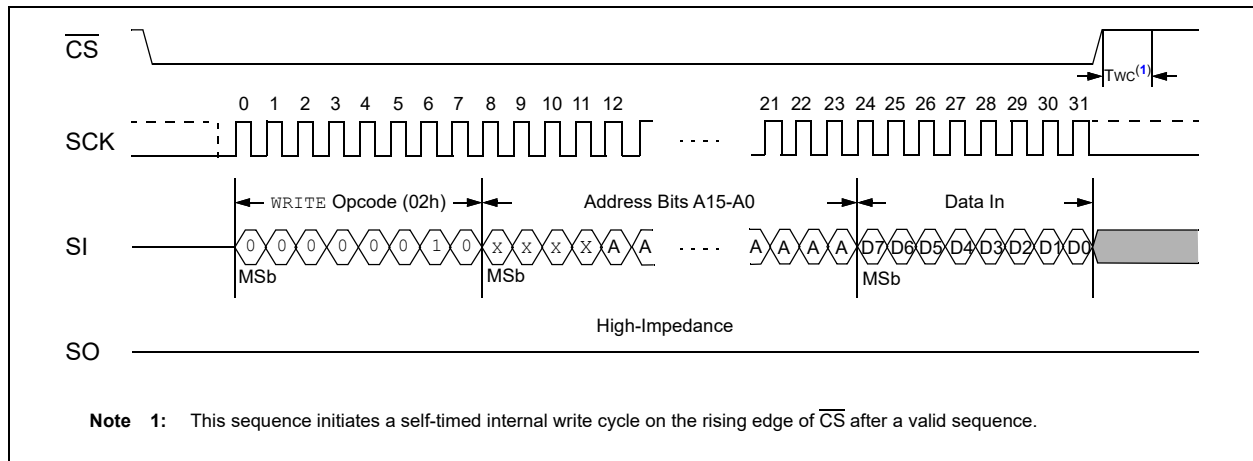
Address bits A15 through A12 are “don't care” bits because they do not fall within the addressable memory range.

Programming will start after the \overline{CS} pin is brought high. The low-to-high transition of the \overline{CS} pin must occur during the *SCK* low time (Mode 0) and *SCK* high time (Mode 3) immediately after clocking in the D0 (LSB) data bit.

Note: If the \overline{CS} pin is deasserted anywhere other than the end of an 8-bit byte boundary, the sequence will be aborted, and no write cycle will take place.

The 25CS320 is automatically returned to the Write Disable state (*STATUS* register bit *WEL* = 0) at the completion of a write cycle.

FIGURE 8-1: BYTE WRITE SEQUENCE



8.1.2 PAGE WRITE

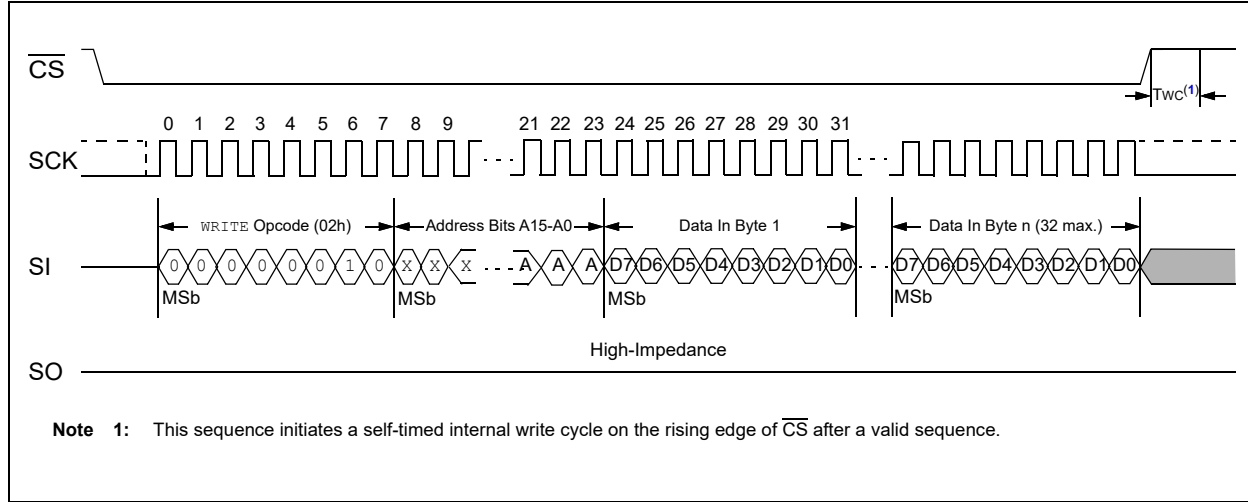
A page write sequence is the same as a byte write, however, allowing up to 32 bytes to be written in the same write cycle, provided that all bytes are in the same page of the memory array (where addresses A11 through A5 are the same). Partial page writes of less than 32 bytes are allowed. After each byte of data is received, the five lowest order address bits are internally incremented by one, and the remaining address bits will remain constant.

Upon completion of a write cycle, the 25CS320 automatically returns to the Write Disable state (*STATUS* register bit *WEL* = 0).

Note: If the \overline{CS} pin is deasserted anywhere other than the end of an 8-bit byte boundary, the sequence will be aborted, and no write cycle will take place.

If more bytes of data are transmitted than what will fit to the end of that memory page, the address counter will roll over to the beginning of the same page, and only the last 32 bytes of data received will be written to the device.

FIGURE 8-2: PAGE WRITE SEQUENCE



8.2 Error Correction Code (ECC) Architecture

The 25CS320 incorporates a built-in Error Correction Code (ECC) logic scheme. The EEPROM array is internally organized as a group of four connected bytes plus an additional six ECC parity bits of EEPROM. These 38 bits are referred to as the internal physical data word. During a read sequence, the ECC logic compares each 4-byte physical data word with its corresponding six ECC parity bits. If a single bit out of the 4-byte region happens to read incorrectly, the ECC logic will detect the bad bit and replace it with a correct value before the data are serially clocked out. This architecture significantly improves the reliability of the 25CS320 versus a device that does not utilize ECC.

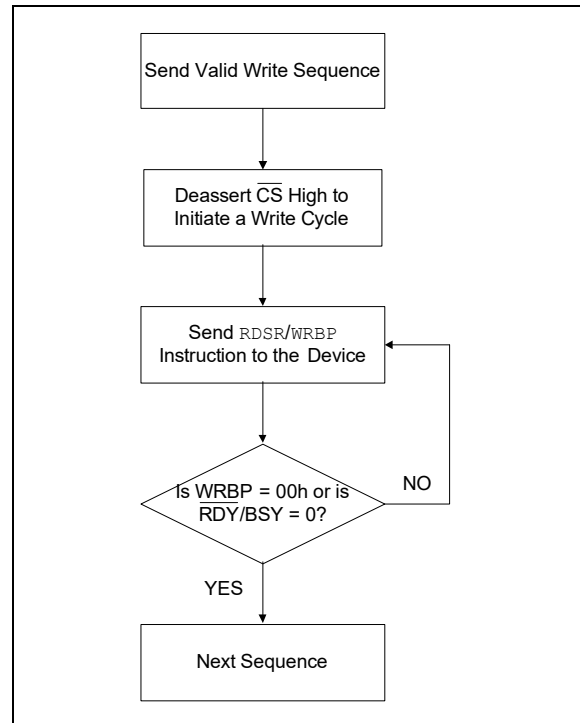
It is important to note that data are always physically written to the part at the internal physical data word level, regardless of the number of bytes written. Writing single bytes is still possible with the byte write sequence, but internally, the other three bytes within the 4-byte location where the single byte was written, along with the six ECC parity bits, will be updated. Due to this architecture, the 25CS320 EEPROM write endurance is rated at the internal physical data word level (4-byte word). The system designer needs to optimize the application writing algorithms to observe these internal word boundaries to maximize the endurance.

8.3 Polling Routine

A polling routine can be implemented to optimize time sensitive applications that would not prefer to wait the fixed maximum write cycle time (T_{wc}). This method allows the application to query whether the Serial EEPROM has completed the write sequence. This polling routine should be initiated once the internally timed write sequence has begun.

The polling routine is repeatedly sending Read STATUS Register (RDSR) or Write Ready/Busy Poll (WRBP) instructions to determine if the device has completed its self-timed internal write cycle (see Figure 8-3). If the $\overline{RDY/BSY}$ bit = 1 from RDSR or FFh from WRBP, the write cycle is still in progress. If $\overline{RDY/BSY}$ bit = 0 from RDSR or 00h from WRBP, this indicates the write cycle has ended. If the device is still in a busy state, repeated RDSR or WRBP instructions can be executed until the $\overline{RDY/BSY}$ bit = 0 or the WRBP instruction returns a 00h, signaling that the device is ready to execute a new instruction. Only the RDSR and WRBP instructions are enabled during the write cycle.

FIGURE 8-3: POLLING FLOW



9.0 SECURITY REGISTER

The Security register is segmented into one 32-byte read-only page and one 32-byte user-programmable, lockable ID page. The user-programmable, lockable ID page supports both byte write and page write sequences. The user-programmable, lockable ID page may be permanently locked at any time with the `LOCK` instruction. The Security register lock state can be verified at any time with `CHLK` instruction.

TABLE 9-1: SECURITY REGISTER ORGANIZATION

Security Register Byte Number									
0	1	...	30	31	32	33	...	62	63
Factory-Programmed (Read-Only) 0-15: Device Serial Number 16-31: Reserved for Future Use					User-Programmable (Lockable)				

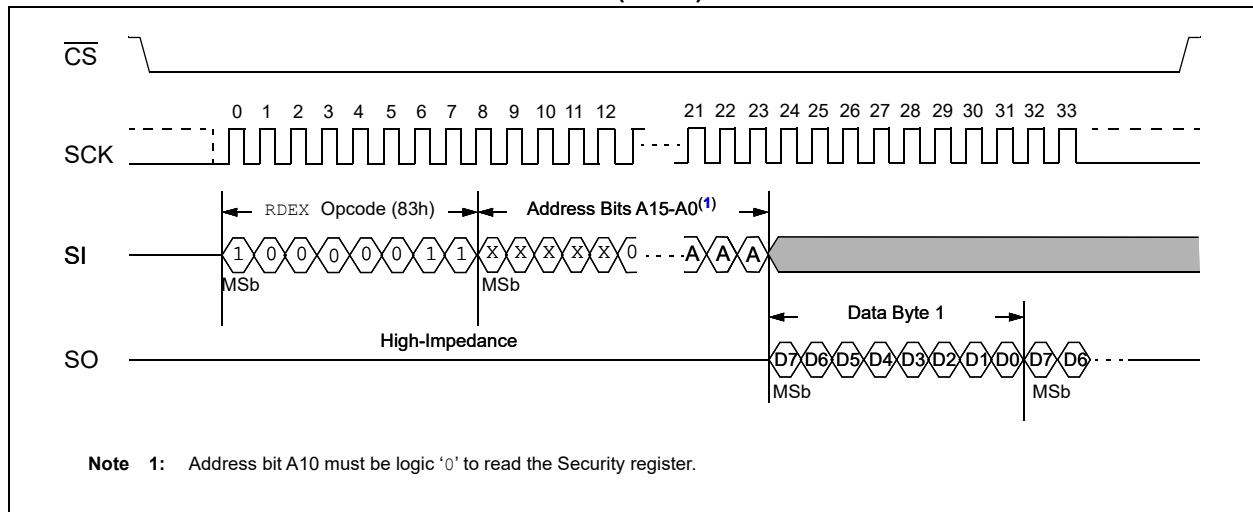
9.1 Reading from the Security Register

Reading the Security register contents from the 25CS320 follows a similar sequence to reading the EEPROM, but a different opcode and specific address data are required. To read the Security register, first drive the `CS` low to select the device, then send the `RDEX` (83h) instruction via the `SI` line, followed by the 16-bit address to be read.

Note: Address bits A15 through A6 are “don't care” bits, except A10, which must be a logic '0'.

Upon completion of the 16-bit address, any data on the `SI` line will be ignored. The data (D7-D0) at the specified address are then shifted out onto the `SO` line. If only one byte is to be read, the `CS` line should be driven high after the data comes out. The read sequence can be continued since the byte address is automatically incremented and data will continue to be shifted out. When the highest address is reached (003Fh), the address counter will roll over to the lowest address (0000h), allowing the entire Security register to be read in one continuous read cycle regardless of the starting address.

FIGURE 9-1: READ SECURITY REGISTER (RDEX) SEQUENCE



9.1.1 READING THE FACTORY-PROGRAMMED 128-BIT SERIAL NUMBER

The Security register contains a factory-programmed, globally unique, read-only 128-bit serial number. This serial number is unique across all varieties of Microchip CS series EEPROM and it is located in the lower 16 bytes of the Security register (bytes 0h-Fh). Reading the serial number is accomplished in the same way as the reading of any other data in the Security register.

Note: To ensure a unique number, the 128-bit serial number must be read from the starting address. Additionally, the entire serial number must be read to realize a completely unique value.

9.2 Writing to the Security Register

Executing a write sequence to the Security register is identical to the EEPROM, as described in [Section 8.1.1 “Byte Write”](#) and [Section 8.1.2 “Page Write”](#), with the exception that the `WREX` (82h) instruction is used while A10 must be a logic '0' and A5 must be a logic '1' to write the user-programmable, lockable ID page. In Legacy Write Protection mode, the Security register is write-protected when the BP[1:0] bits (bits 3-2, byte 0) of the STATUS register = 11. There is no dependency on the `WPEN` bit (bit 7, byte 0) of the STATUS register or the `WP` pin.

The user-programmable, lockable ID page of the Security register can also be permanently locked such that its contents also become read-only. This is accomplished with `LOCK` instruction. The `CHLK` instruction can determine if the device has been previously locked. If the Security register is locked, any subsequent `WREX` instructions will be ignored.

Note: If the `CS` pin is deasserted anywhere other than the end of an 8-bit byte boundary, the sequence will be aborted, and no write cycle will take place.

9.2.1 LOCKING THE SECURITY REGISTER

The upper 32 bytes of the Security register are shipped by Microchip in a user-programmable state. Once the desired data are written, the user-programmable, lockable ID page of the Security register can be permanently write-protected with the `LOCK` instruction.

Note: The `LOCK` instruction will be ignored if the `WPEN` bit (bit 7, byte 0) of the STATUS register is set to a logic '1' and the `WP` pin is asserted.

The `LOCK` instruction is irreversible and will permanently prevent all future write sequences to the upper 32 bytes of the Security register on the 25CS320, thereby rendering the entire 64-byte Security register read-only.

Note: Once the Security register has been locked, *it is not possible to unlock it.*

The `LOCK` instruction emulates a write sequence in that a `WREN` instruction must first be sent to set the `WEL` bit in the STATUS register to logic '1'. As shown in [Figure 9-4](#), the `LOCK` (82h) instruction is clocked in on the SI line, followed by a dummy address where bits A15 through A0 are “don't care” bits with the exception that bit A10 must be set to logic '1'. Finally, a confirmation data byte of `xxxxxx1xb` is sent and the self-timed internal write cycle will begin once the `CS` pin is driven high.

Note: If the `CS` pin is deasserted before the end of the 32-bit sequence, the sequence will be aborted and no write cycle will take place.

FIGURE 9-2: WRITE SECURITY REGISTER (WREX) BYTE WRITE SEQUENCE

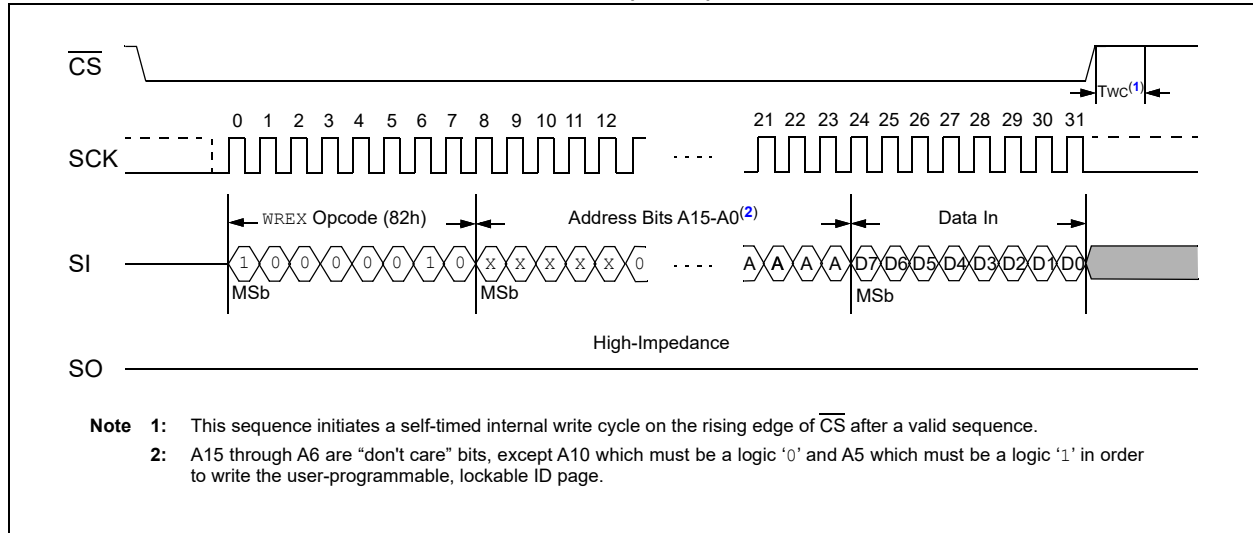


FIGURE 9-3: WRITE SECURITY REGISTER (WREX) PAGE WRITE SEQUENCE

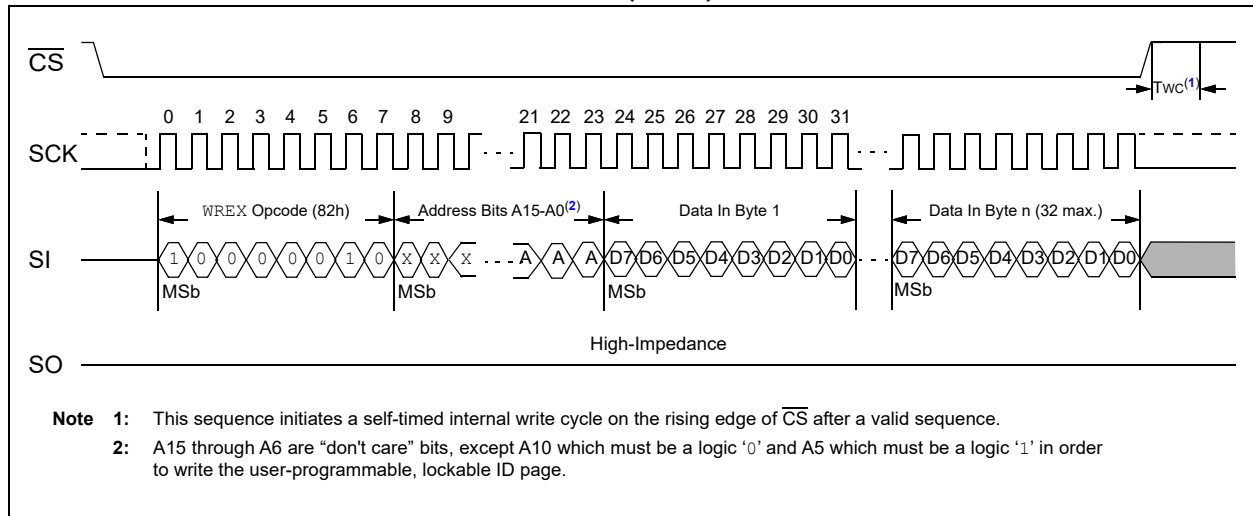
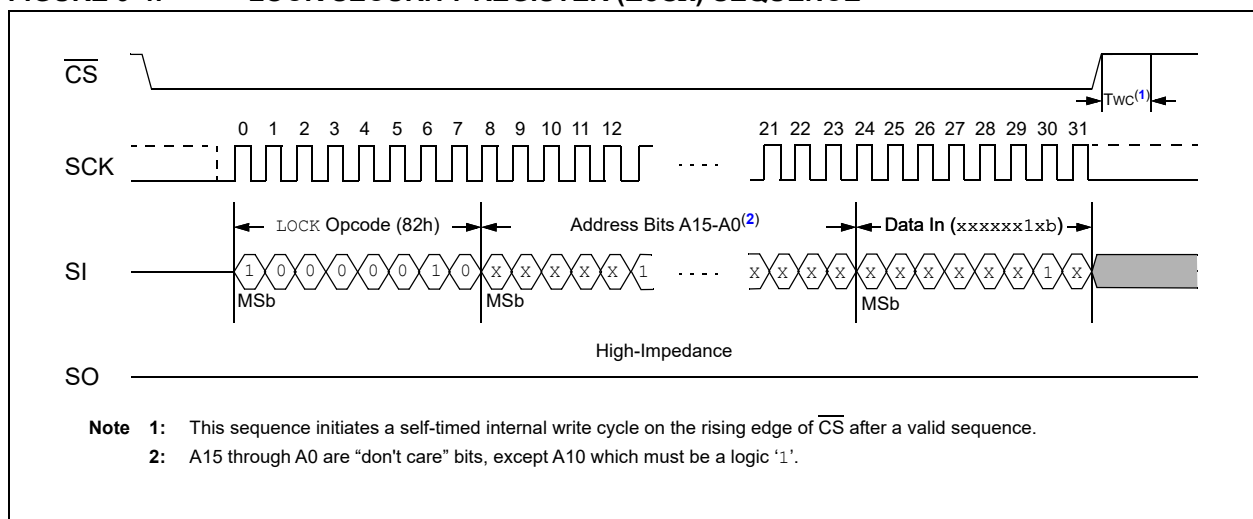


FIGURE 9-4: LOCK SECURITY REGISTER (LOCK) SEQUENCE

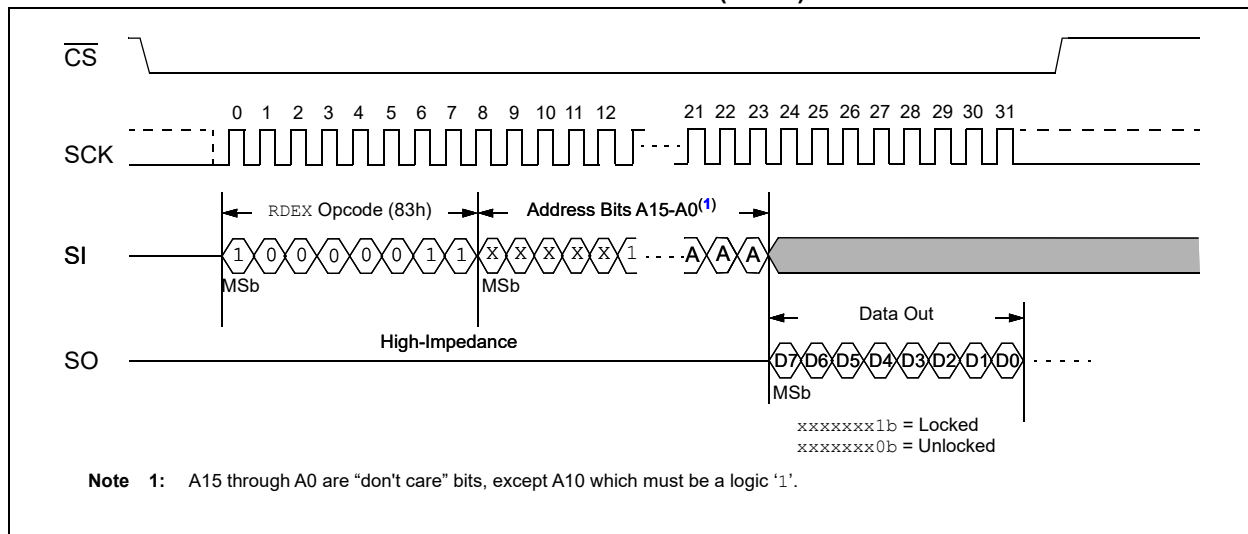


25CS320

9.2.2 DETERMINING THE LOCK STATE OF THE SECURITY REGISTER

To determine whether or not the user-programmable, lockable ID page of the Security register is locked, the 25CS320 includes a `CHLK` instruction to check the lock state. To determine the lock status, the opcode 83h must be clocked into the device on the SI line. The address bit A10 must be equal to logic '1' while the other address bits are "don't care". Data bit 0 of the data byte clocked out on the SO line determines the lock state; the other bits of the data byte are "don't care" bits. A data response of `xxxxxxx1b` indicates the region is locked, while a `xxxxxxx0b` response indicates that the region is not locked.

FIGURE 9-5: CHECK SECURITY REGISTER LOCK (CHLK) SEQUENCE



10.0 MEMORY PARTITION FUNCTIONALITY

The write-protect functionality of the 25CS320 can be configured for Legacy Write Protection mode or Enhanced Write Protection mode with the WPM bit of the STATUS register (see [Section 6.1.5 “Write Protection Mode Bit”](#)). Changing this bit is accomplished with a WRSR sequence. If WPM is set to a logic ‘0’, then the device is set for Legacy Write Protection mode. If WPM is a logic ‘1’, Enhanced Write Protection mode is enabled.

Note: The write protection mode can be made permanent by executing the FRZR instruction. This can be done in *both* Legacy Write Protection mode and Enhanced Write Protection mode. Refer to [Section 4.5.4 “Freeze Memory Protection Configuration \(FRZR\)”](#) for additional information.

When the device is set for Legacy Write Protection mode, the EEPROM and Security register are protected based upon the Block Protection bits in the STATUS register. This functionality is described in [Section 6.1.2 “Block Write-Protect Bits”](#).

10.1 Enhanced Write Protection Mode

The device incorporates an Enhanced Write Protection mode, which is enabled by setting the WPM bit of the STATUS register (byte 1, bit 7) to a logic ‘1’.

When the device is set to Enhanced Write Protection mode, the STATUS register, Memory Partition registers and UVLO register are protected from any modification when the WPEN bit is set to a logic ‘1’ and the WP pin is asserted.

Setting the 25CS320 in Enhanced Write Protection mode enables its four Memory Partition Registers (MPR0 through MPR3). These are 8-bit registers that control the memory organization in terms of writable address ranges and the type of protection behavior.

10.1.1 MEMORY PARTITIONING OVERVIEW

Through the use of the device’s four MPRs, the EEPROM array can be divided into as many as five partitions. Each MPR specifies one of four types of protection behaviors for their corresponding partitions.

The Memory Partition register contents specify the six Most Significant bits of the memory array address (A11 through A6) corresponding to the endpoint of a given partition where A5 through A0 are a logic ‘1’. This creates an available partition size in 2-page (64-byte) increments, meaning the partition can be set as small as 512-bit ($2^6 \times 8$). However, each partition can be uniquely sized to fit the application requirements. [Figure 10-1](#) provides a map of the available partition points.

Note: If Enhanced Write Protection mode is disabled, the MPRs will be ignored regardless of their configured behavior.

FIGURE 10-1: 25CS320 MEMORY PARTITION MAP

32-Kbit (8-Kbyte) EEPROM (32 bytes per page x 256 pages)		Beginning Address	Ending Address	
Available Partition Point: A11:A6 [000000b]	2 Pages	0000h	003F	512-bit
Available Partition Point: A11:A6 [000001b]	2 Pages	0040h	007F	512-bit
Available Partition Point: A11:A6 [000010b]	2 Pages	0080h	00BFh	512-bit
	
Available Partition Point: A11:A6 [111110b]	2 Pages	0F80h	0FBFh	512-bit
Available Partition Point: A11:A6 [111111b]	2 Pages	0FC0h	0FFFh	512-bit

25CS320

10.1.2 MEMORY PARTITION REGISTER ORGANIZATION

Each MPR is an 8-bit nonvolatile register. The MPR organization is shown in [Register 10-1](#). The four types of protection behavior are defined by the contents of bit 7 and bit 6 of each MPR (see [Register 10-1](#)). Each partition can have a unique behavior.

Bit 5 through bit 0 contain the Partition Endpoint Address of A11:A6, where A5:A0 are a logic '1'. For example, if the first partition of the memory array is desired to stop after 2-Kbit of memory, that endpoint address is 00FFh. The corresponding A11:A6 address bits to be loaded into MPR0 are therefore 000011b.

The four MPRs are each decoded sequentially by the device, starting with MPR0. Each MPR should be set to a Partition Endpoint Address greater than the ending address of the previous MPR. If a higher order MPR sets a Partition Endpoint Address less than or equal to the ending address of a lower order MPR, the higher order MPR is ignored, and no protection is set by its contents.

An example use case is provided in [Table 10-1](#).

Note: When the Partition Behavior bits are written to 11b, that MPR will become permanently read-only (ROM), and its contents cannot be changed (see [Register 10-1](#)).

REGISTER 10-1: MEMORY PARTITION REGISTERS

R/W	R/W	R/W	R/W	R/W	R/W	R/W	R/W
PB1	PB0	A11	A10	A9	A8	A7	A6
bit 7							bit 0

Legend:

R = Readable bit	W = Writable bit	U = Unimplemented bit, read as '0'
-n = Value at POR	'1' = Bit is set	'0' = Bit is cleared x = Bit is unknown

bit 7-6 **PB[1:0]:** Partition Behavior⁽¹⁾

00 = Partition is open and writing is permitted (factory default is unprotected).
 01 = Partition is always write-protected but can be reversed at a later time (software write-protected).
 10 = Partition is write-protected only when \overline{WP} pin is asserted (hardware write-protected).
 11 = Partition is software write-protected and Memory Partition register is permanently locked.

bit 5-0 **A[11:6]:** Partition Endpoint Address^(1, 2)

000000 = Endpoint address of partition is set to 003Fh.
 000001 = Endpoint address of partition is set to 007Fh.
 •
 •
 •
 111110 = Endpoint address of partition is set to 0FBFh.
 111111 = Endpoint address of partition is set to 0FFFh.

- Note 1:** The Memory Partition registers cannot be written if the FMPC bit has been set.
2: The Partition Endpoint Address bits cannot be written if the PABP bit has been set.

TABLE 10-1: EXAMPLE USE OF MEMORY PARTITION REGISTERS

Register	Content	Partition Behavior Bits (Bit 7-6)	Partition Protection	Register Protection	Partition Ending Address Bits (Bit 5-0)	Partition Ending Memory Address	Partition Size and Address Range
MPR0	43h	01b	Software Protection	Unlocked	000011b	00FFh	2-Kbit partition 0000h-00FFh
MPR1	C7h	11b	Software Protection	Locked	000111b	01FFh	2-Kbit partition 0100h-01FFh
MPR2 ⁽¹⁾	01h	00b	Unprotected	Unlocked	000001b	007Fh	Register ignored
MPR3	9Fh	10b	Hardware Protection	Unlocked	011111b	07FFh	24-Kbit partition 0200h-07FFh

Note 1: In this example, MPR2 is ignored because its Partition Endpoint Address was not greater than the ending address specified by MPR1.

10.1.3 PROTECTING THE PARTITION ENDPOINT ADDRESSES

The 25CS320 includes the ability to protect the Partition Endpoint Addresses specified in the device's four MPRs from being modified. When the protection is enabled, the Partition Behavior bits of the MPR can still be modified. As shown in Table 10-2, this function becomes redundant if the FMPC bit in the STATUS register (bit 5, byte 1) is a logic '1' as the result of a FRZR sequence (see Section 4.5.4 "Freeze Memory Protection Configuration (FRZR)") since the FRZR sequence locks all Partition Endpoint Addresses and Partition Behavior bits.

Note: The PPAB instruction will be ignored if the WPEN bit (bit 7, byte 0) of the STATUS register is set to a logic '1' and the WP pin is asserted.

Once the Partition Endpoint Addresses are programmed to the desired values, it is recommended that addresses be protected to prevent unintentional modification. This is accomplished by executing the Protect Partition Address Boundary (PPAB) instruction, which will modify the PABP bit in the STATUS register (bit 3, byte 1).

Note: The starting address of each partition is determined by the endpoint address boundary of the previous partition (0000h for MPR0). Changing the address boundary of an MPR can affect the assigned write-protection behavior for individual array locations by reassigning their associated partition.

TABLE 10-2: MEMORY PARTITION REGISTER PROTECTION MATRIX

FMPC	PABP	Partition Behavior Bits	Partition Endpoint Address Bits
0	0	Writable	Writable
0	1	Writable	Protected
1	x	Permanently-Protected	Permanently-Protected

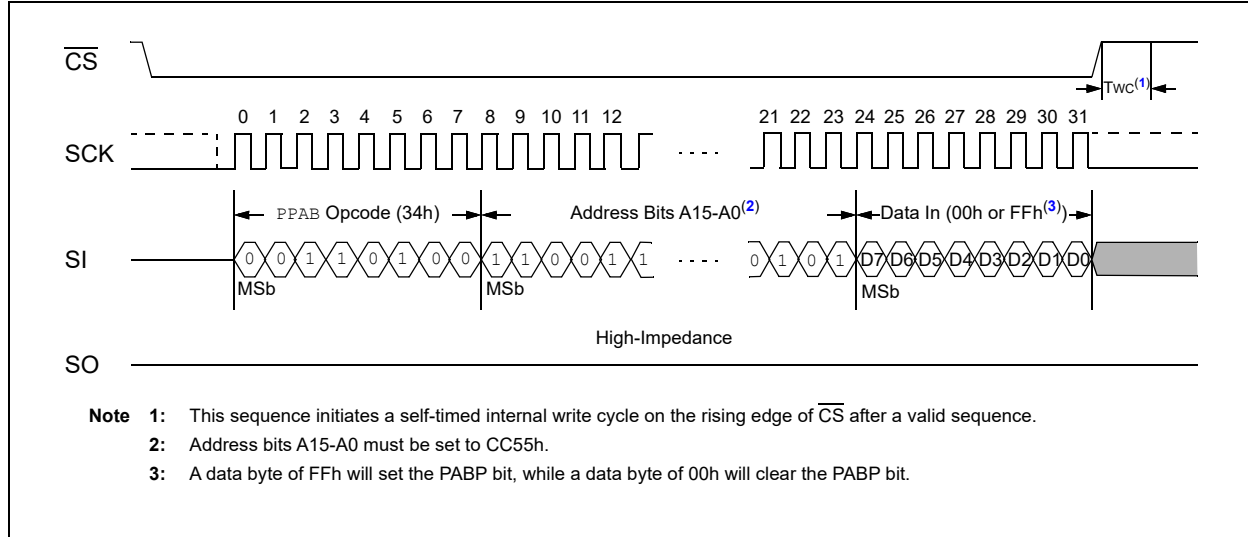
To execute the PPAB instruction, first a WREN instruction and then a PRWE instruction must be sent to enable write sequences (see Section 10.2 "Writing to the Memory Partition Registers"). This will set the WEL and PREL bits to a logic '1'.

Next, as shown in Figure 10-2, the PPAB (34h) instruction is clocked in on the SI line, followed by an address of CC55h. Finally, a data byte of 00h or FFh is sent, and the self-timed internal write cycle will begin once the CS pin is driven high.

Using a data byte of FFh will protect the Partition Endpoint Addresses from being changed by setting the PABP bit in the STATUS register to logic '1'. Sending a data byte of 00h will unprotect these addresses by clearing the PABP bit in the STATUS register to logic '0'.

Note: If the CS pin is deasserted before the end of the 32-bit sequence, the sequence will be aborted and no write cycle will take place.

FIGURE 10-2: PROTECT PARTITION ADDRESS BOUNDARIES (PPAB) SEQUENCE



10.1.4 ADDRESS LOCATION OF THE MEMORY PARTITION REGISTERS

When attempting to access any of the device's four MPRs, the address of each MPR is embedded in bit position A11:A10 of the 16-bit address sent to the device.

The remaining 14 address bits (A15-A12 and A9-A0) are ignored. Table 10-3 depicts the values needed to be sent in the A11 through A10 positions.

TABLE 10-3: MEMORY PARTITION REGISTER ADDRESS LOCATION

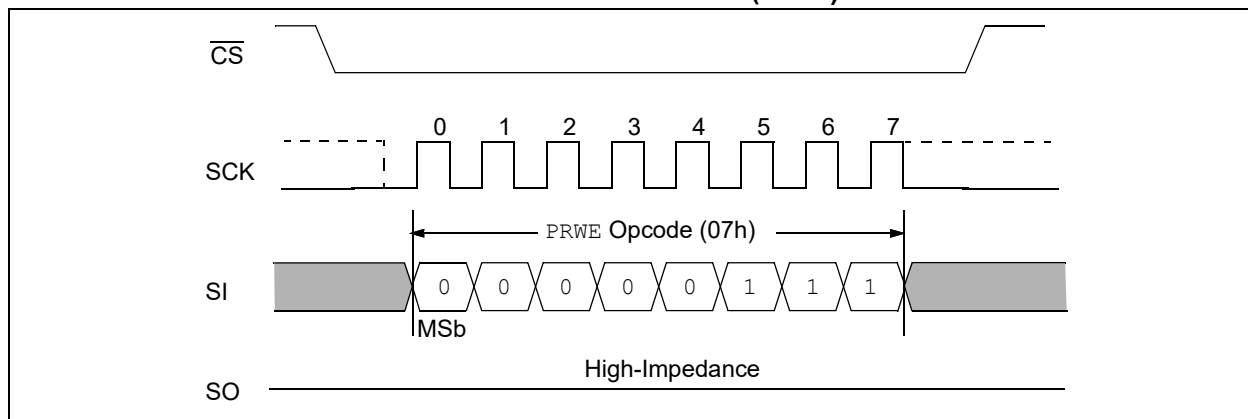
Memory Partition Register Number	A11	A10
MPR0	0	0
MPR1	0	1
MPR2	1	0
MPR3	1	1

10.2 Writing to the Memory Partition Registers

10.2.1 MEMORY PARTITION REGISTER WRITE ENABLE (PRWE)

Prior to any write sequence, protect address boundary or FRZR instruction, the WEL and PREL bits in the STATUS register must be set to logic '1'. This is accomplished by first sending a WREN (06h) instruction (see Section 6.1.4 "Ready/Busy Status Latch") followed by a PRWE (07h) instruction, as shown in Figure 10-3. Once both bits are set to logic '1', the MPRs can be programmed with the WMPR instruction, the Partition Endpoint Addresses can be protected with the PPAB instruction, or the contents of all MPRs can be permanently locked with the FRZR instruction. Upon completion of any of these instructions, the PREL and WEL bits are automatically reset to logic '0'.

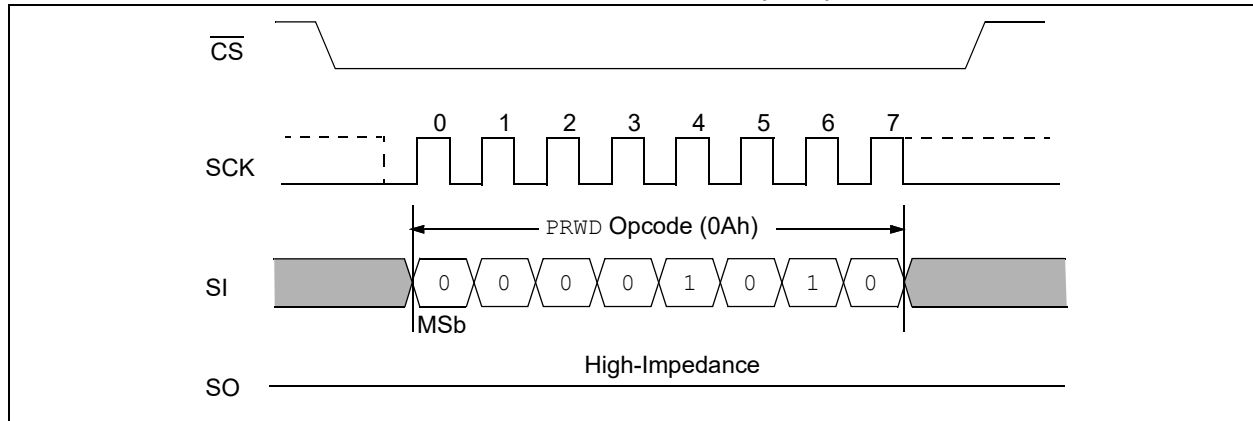
FIGURE 10-3: PARTITION REGISTER WRITE ENABLE (PRWE) INSTRUCTION



10.2.2 MEMORY PARTITION REGISTER WRITE DISABLE (PRWD)

A Partition Register Write Disable (PRWD) instruction is also available (opcode 0Ah), which will reset the PREL bit in the STATUS register to a logic '0' state.

FIGURE 10-4: PARTITION REGISTER WRITE DISABLE (PRWD) INSTRUCTION



10.2.3 WRITING TO THE MEMORY PARTITION REGISTERS

Once the WEL and PREL bits in the STATUS register have been set to logic '1', the Memory Partition registers can be programmed provided that the FMPC bit in the STATUS register has not already been set to logic '1' by executing the FRZR sequence (see [Section 4.5.4 "Freeze Memory Protection Configuration \(FRZR\)"](#)).

Writing to the MPRs uses the WMPR instruction. To issue the WMPR instruction, the \overline{CS} pin must first be asserted and then the opcode 32h must be clocked into the device on the SI line, followed by two address bytes containing the Memory Partition register address that corresponds with the desired Memory Partition register number embedded in bits A11-A10 ([Table 10-3](#)).

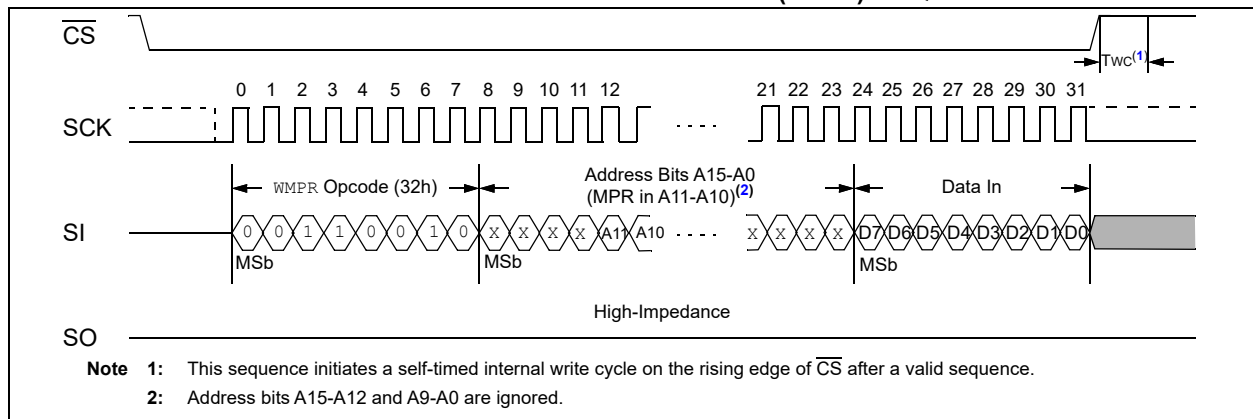
Following the address information, a data byte using the register definition shown in [Register 10-1](#) must be sent to the device followed by deasserting the \overline{CS} line.

The device will enter an internal write cycle, and once complete, the WEL and PREL STATUS register bits are automatically reset to logic '0'.

Any additional data clocked into the device after the first byte of data will cause the instruction to be ignored as only one MPR can be programmed at a time. Termination of the sequence anywhere other than an 8-bit boundary will cause the instruction to be ignored. This sequence is depicted in [Figure 10-5](#).

The MPR Partition Endpoint Address values must be loaded sequentially in each register as the four MPRs are decoded sequentially by the device, starting with MPR0. If a higher order MPR sets a Partition Endpoint Address less than or equal to the ending address of a lower order MPR, the higher order MPR is ignored and no behavior is set by its contents.

FIGURE 10-5: WRITE MEMORY PARTITION REGISTERS (WMPR) SEQUENCE



- Note** 1: This sequence initiates a self-timed internal write cycle on the rising edge of \overline{CS} after a valid sequence.
 2: Address bits A15-A12 and A9-A0 are ignored.

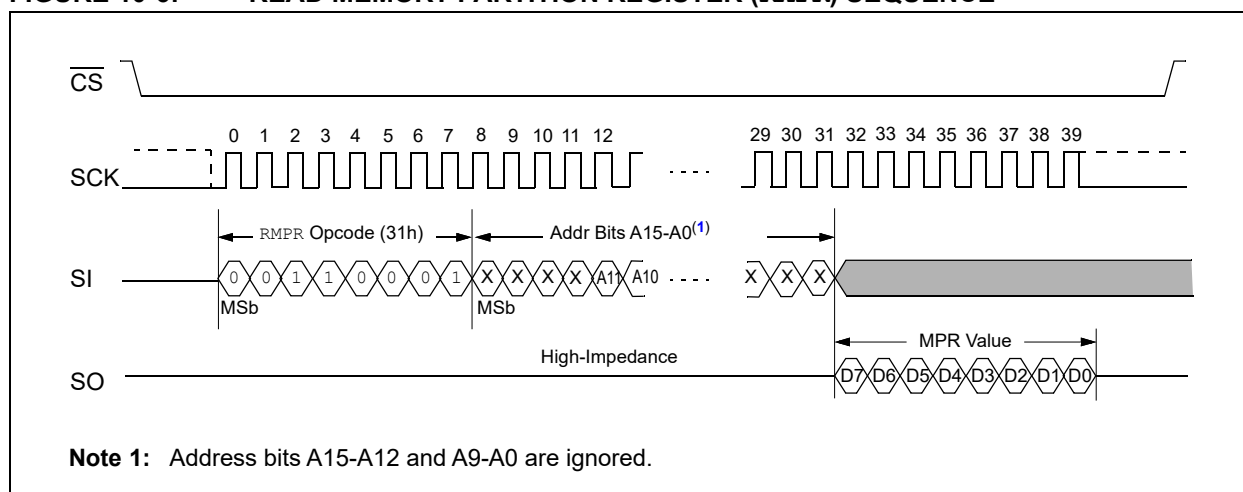
10.3 Reading the Memory Partition Registers

The contents of the Memory Partition registers can be read with the Read Memory Partition Register (RMPR) instruction. Their contents can be read irrespective of the FMPC bit in the STATUS register.

To determine the MPR contents, first the device must be selected with the \overline{CS} line, and then the opcode 31h must be clocked into the device on the SI line, followed by the 16-bit Memory Partition register address.

The address for each Memory Partition register is embedded into the first address byte sent to the device, in bit positions A11-A10 (see Table 10-3). The device will then begin to clock data out on the SO line. Only one MPR can be read at a time. This sequence is depicted in Figure 10-6.

FIGURE 10-6: READ MEMORY PARTITION REGISTER (RMPR) SEQUENCE



11.0 PROGRAMMABLE UNDervOLTAGE LOCKOUT

The 25CS320 is equipped with an undervoltage lockout detection circuit, which looks for brown-out events or device VCC power supply levels deemed too low for a given application.

To prevent spurious application events that could negatively affect the EEPROM contents of the device, the 25CS320 employs a circuit that monitors the VCC line voltage. Because the safe power supply voltage level will vary by application, the threshold that defines a brown-out event can be modified in the device from the default level.

11.1 Undervoltage Lockout Detection Register

The 25CS320 contains a nonvolatile, 8-bit Undervoltage Lockout Detection (UVLO) register that can be modified to change the undervoltage detection threshold (VUVL). When the detector is enabled (bit 5 must be set to logic '1'), the device will sample the VCC supply level upon the detection of the \overline{CS} pin going high (which starts the internal write cycle) and compare it to VUVL. If VCC remains below VUVL for the minimum UVLO detection time (TUVL) after the CS goes high, the UVLO detection circuit will inhibit the write operation. The WLS bit in the STATUS register can be checked to determine if the previous write sequence was inhibited. If the WLS bit is a logic '1', VCC was less than VUVL and the previous write sequence was inhibited. The WLS bit is only valid if the UVLO function is enabled. See [Section 6.0 "STATUS Register"](#) for more details.

The instructions that will be inhibited include the following:

- WRITE, WRSR, WREX, LOCK, WMPR, PPAB, FRZR, WUVL

The UVLO register has one bit (UVLOEN) that controls if the undervoltage detection function is enabled. Five other bits (VUVL[4:0]) determine the undervoltage threshold level. Refer to [Table 1-1](#) for the specific threshold levels.

The STATUS register contains a volatile bit called Write Lockout State (WLS, byte 1, bit 2). In the event that a write sequence to nonvolatile memory is inhibited by the undervoltage lockout detector circuit, the WLS bit will read out as a logic '1'.

The WLS bit will continue to read out a logic '1' until one of the following occurs:

- A Power-on Reset (POR) event occurs ([Section 1.1.1, Device Power-On Reset](#))
- A nonvolatile write op-code is sent to the device (WRITE, WRSR, WREX, LOCK, WMPR, PPAB, FRZR, WUVL)

- A Software Device Reset (SRST) instruction is executed

The organization of the register is depicted below in [Register 11-1](#).

Note: If the STATUS register is read during the UVLO detection time (TUVL), the device will report a busy state, indicated by RDY/BSY = 1. If the write is inhibited due to the UVLO, the RDY/BSY bit will clear, and the WLS bit will be set.

Note: Setting the undervoltage detection threshold (VUVL) above VCC will cause all write sequences to be ignored. VCC must be above VUVL to reprogram the VUVL.

25CS320

REGISTER 11-1: UNDERVOLTAGE LOCKOUT DETECTOR REGISTER

U-0	U-0	R/W	R/W	R/W	R/W	R/W	R/W
—	—	UVLOEN	VUVL4	VUVL3	VUVL2	VUVL1	VUVL0
bit 7							bit 0

Legend:

R = Readable bit W = Writable bit U = Unimplemented bit, read as '0'
 -n = Value at POR '1' = Bit is set '0' = Bit is cleared x = Bit is unknown

- bit 7-6 **Unimplemented:** Read as '0'
- bit 5 **UVLOEN:** Enable Undervoltage Lockout Function
 1 = UVLO is enabled
 0 = UVLO is not enabled
- bit 4-0 **VUVL[4:0]:** Undervoltage Lockout Detection Level⁽¹⁾
 00000 = Minimum
 •
 •
 •
 11111 = Maximum

Note 1: For specific UVLO levels, refer to [Table 1-1](#).

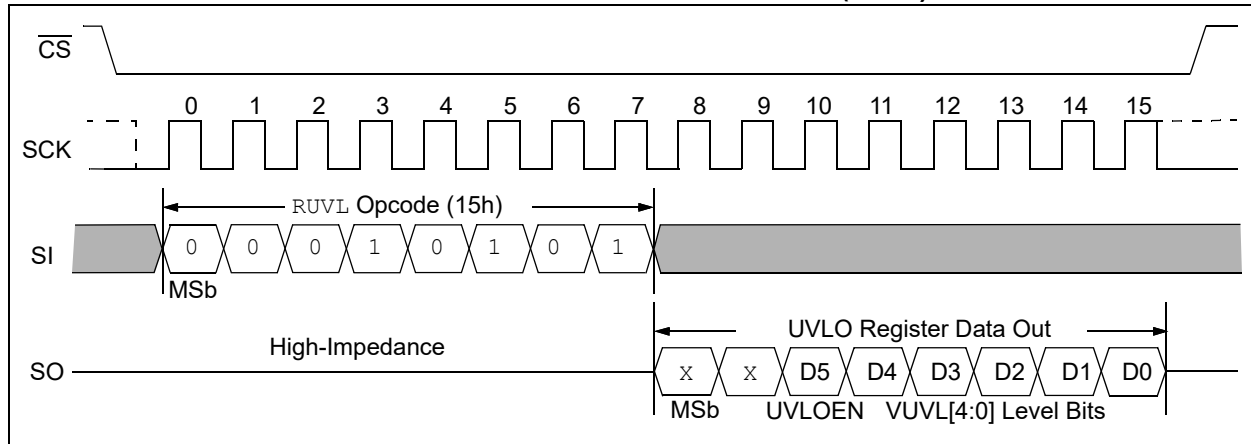
11.2 Accessing the Undervoltage Lockout Register

11.2.1 READING THE UNDERVOLTAGE LOCKOUT DETECTOR REGISTER

Reading the Undervoltage Lockout (UVLO) register is accomplished in a very similar manner to reading the STATUS register.

The UVLO register is read by asserting the \overline{CS} pin, followed by sending in a 15h opcode, which corresponds to the RUVL instruction on the SI pin. Upon completion of the opcode, the device will return the 8-bit register value on the SO pin. The input conditions of the RUVL instruction are shown in [Figure 11-1](#).

FIGURE 11-1: READ UNDERVOLTAGE LOCKOUT REGISTER (RUVL) SEQUENCE



11.2.2 WRITING THE UNDERVOLTAGE LOCKOUT DETECTOR REGISTER

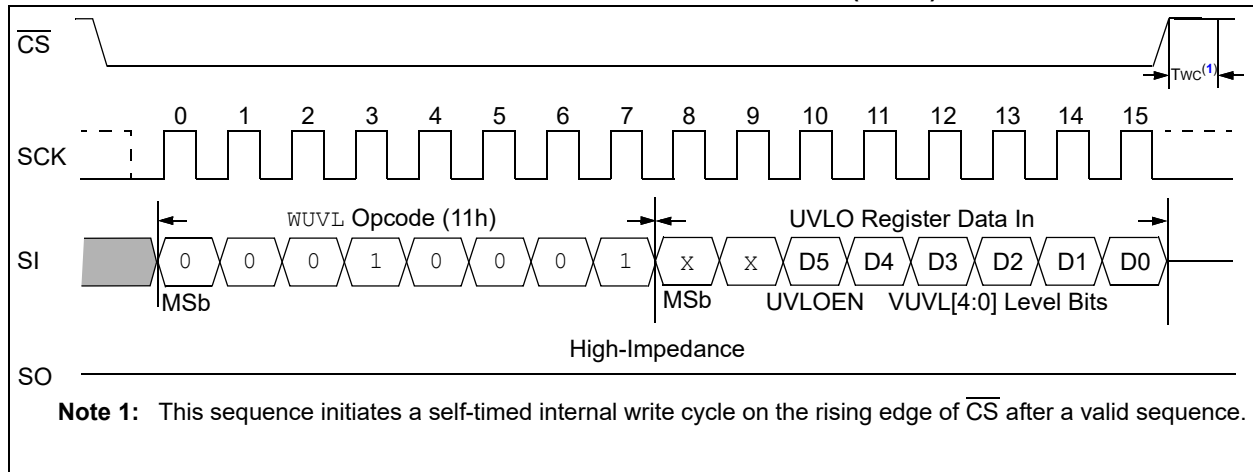
Writing to the UVLO register can be done by using the \overline{WUVL} instruction. However, before a \overline{WUVL} instruction can be initiated, a \overline{WREN} instruction must be executed to set the WEL bit to logic '1' (see [Section 8.1.1 "Byte Write"](#)). The \overline{WUVL} instruction is prevented if $WPEN = 1$ and \overline{WP} is asserted. Upon completion of a \overline{WREN} sequence, a \overline{WUVL} instruction can be executed.

This begins by driving the \overline{CS} pin low, followed by sending in an 11h opcode on the SI pin. Then continue by sending the desired 8-bit UVLO register value.

Note that bits 7 through bit 6 have no function, as shown in [Register 11-1](#). The 25CS320 will only respond to a \overline{RDSR} or \overline{WRBP} instruction after a \overline{WUVL} sequence until the self-timed internal write cycle has completed, as the UVLO is a nonvolatile register. When the write cycle is completed, the WEL bit in the STATUS register is reset to logic '0'. The \overline{WUVL} sequence is depicted in [Figure 11-2](#).

Note: If the \overline{CS} pin is deasserted before the end of the 16-bit sequence, the sequence will be aborted and no write cycle will take place.

FIGURE 11-2: WRITE UNDERVOLTAGE LOCKOUT REGISTER (\overline{WUVL}) SEQUENCE



12.0 IDENTIFICATION REGISTER

The Identification register contains identification information that can be read from the device to enable systems to electronically query and identify the 25CS320 while it is in system.

The identification method and the instruction opcode comply with the JEDEC® standard for “Manufacturer and Device ID Read Methodology for SPI Compatible Serial Interface Memory Devices”. The type of information that can be read from the device includes the JEDEC® defined Manufacturer ID, the vendor-specific Device ID and the vendor-specific Extended Device Information (EDI).

12.1 Reading the Identification Register

To read the identification information, the \overline{CS} pin must first be asserted, and the opcode of 9Fh must be clocked into the device. After the opcode has been clocked in, the device will begin outputting the identification data on the SO pin during the subsequent clock cycles. The first byte output will be the Manufacturer ID followed by two bytes of Device ID information.

The fourth byte output will be the Extended Device Information (EDI) String Length which, for the 25CS320, will be 01h indicating one byte of EDI data follows.

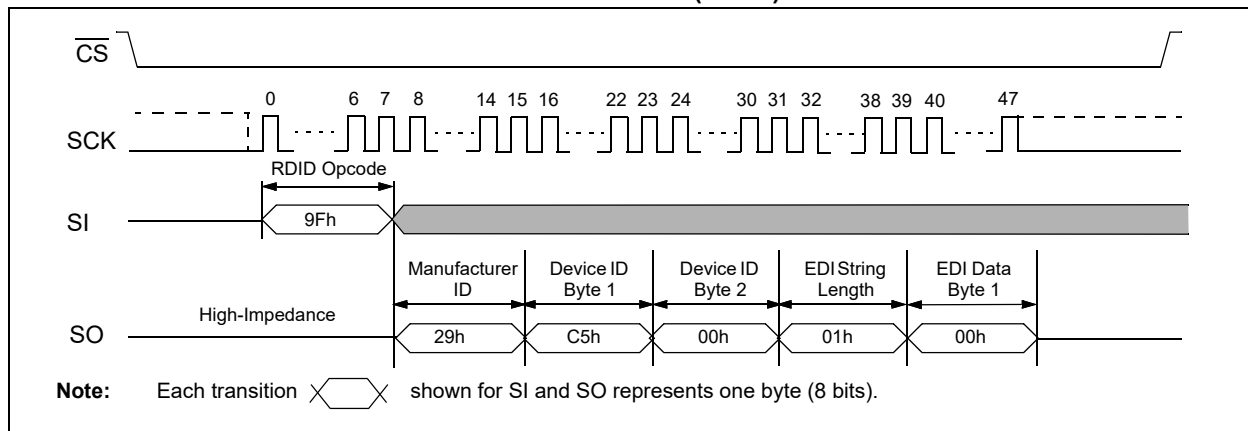
After one byte of EDI data is output, the SO pin will go into a high-impedance state; therefore, additional clock cycles will have no effect on the SO pin and no data will be output. As indicated in the JEDEC® standard, reading the EDI String Length and any subsequent data is optional.

Deasserting the \overline{CS} pin will terminate the Manufacturer and Device ID read sequence and put the SO pin into a high-impedance state. The \overline{CS} pin can be deasserted at any time and does not require that a full byte of data be read. This sequence is depicted in Figure 12-1.

TABLE 12-1: IDENTIFICATION REGISTER DETAILS

Data Type	Byte No.	Bit 7	Bit 6	Bit 5	Bit 4	Bit 3	Bit 2	Bit 1	Bit 0	Hex Value	Details
Manufacturer ID	1	JEDEC® Assigned Code								29h	JEDEC® Code: 0010 1001 (29h for Microchip)
		0	0	1	0	1	0	0	1		
Device ID (Part 1)	2	Family Code				Density Code				C5h	32-Kbit Density Code
		1	1	0	0	0	1	0	1		
Device ID (Part 2)	3	Sub Code				Product Variant				00h	Reserved for Future Use
		0	0	0	0	0	0	0	0		
EDI Length	4	0	0	0	0	0	0	0	1	01h	Indicates one EDI byte
EDI Byte 1 Device Revision	5	0	0	0	0	0	0	0	0	00h	First generation, SPI 32-Kbit device

FIGURE 12-1: READ IDENTIFICATION REGISTER (SPID) SEQUENCE



13.0 PACKAGING INFORMATION

13.1 Package Marking Information

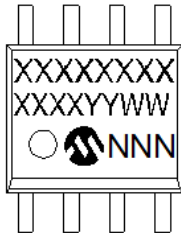
8-Lead MSOP



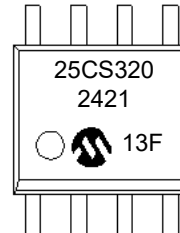
Example



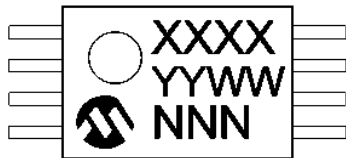
8-Lead SOIC



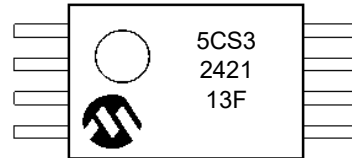
Example



8-Lead TSSOP



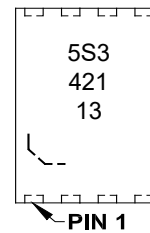
Example



8-Lead UDFN (2x3x0.5 mm)



Example



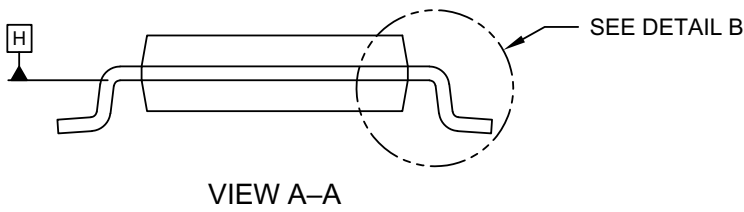
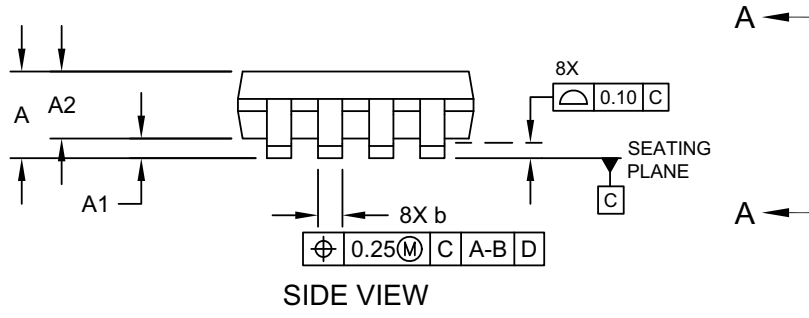
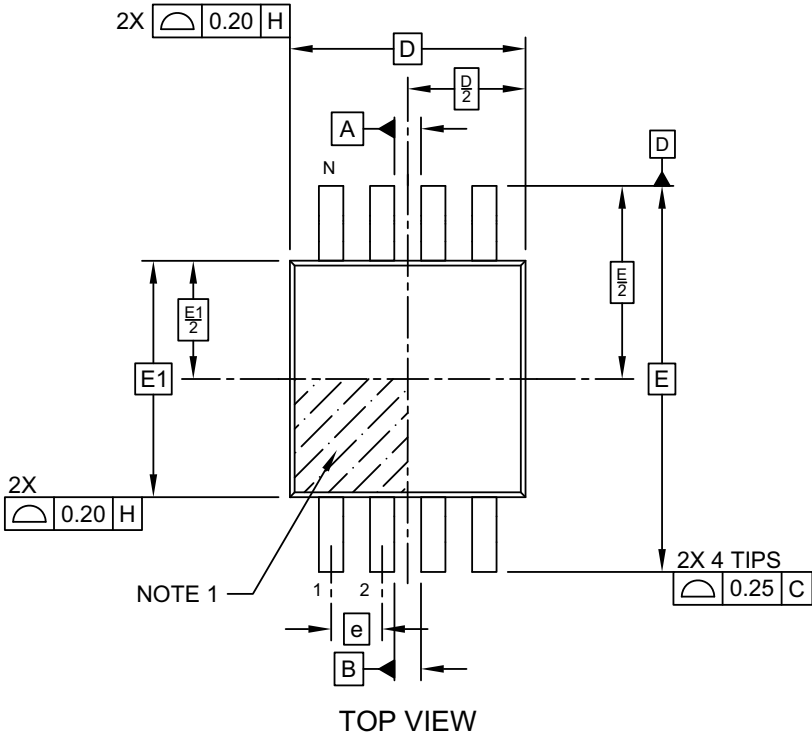
Part Number	1 st Line Marking Codes			
	MSOP	SOIC	TSSOP	UDFN
25CS320	5CS320	25CS320	5CS3	5S3

Legend: XX...X Customer-specific information
Y Year code (last digit of calendar year)
YY Year code (last 2 digits of calendar year)
WW Week code (week of January 1 is week '01')
NNN Alphanumeric traceability code
* This package is RoHs compliant. The JEDEC® designator can be found on the outer packaging for this package.

Note: In the event the full Microchip part number cannot be marked on one line, it will be carried over to the next line, thus limiting the number of available characters for customer-specific information.

8-Lead Plastic Micro Small Outline Package (MS) - 3x3 mm Body [MSOP]

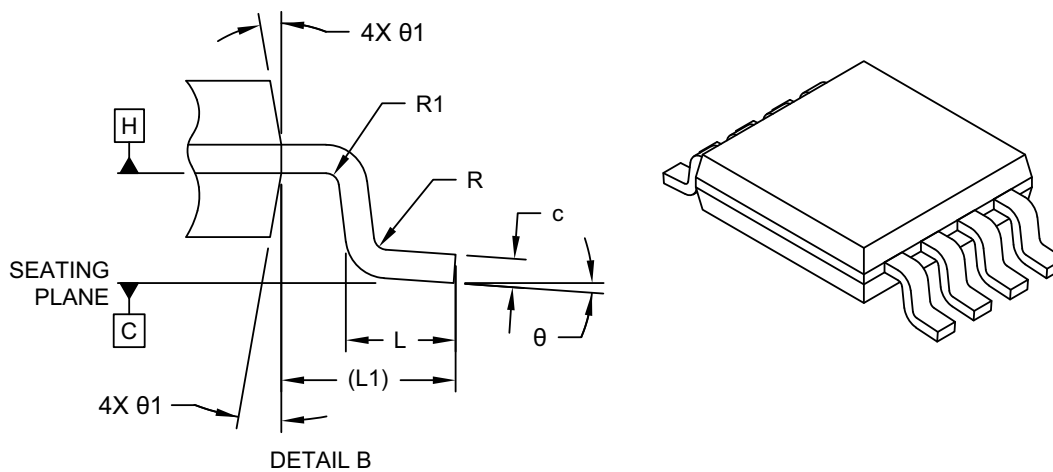
Note: For the most current package drawings, please see the Microchip Packaging Specification located at <http://www.microchip.com/packaging>



25CS320

8-Lead Plastic Micro Small Outline Package (MS) - 3x3 mm Body [MSOP]

Note: For the most current package drawings, please see the Microchip Packaging Specification located at <http://www.microchip.com/packaging>



Dimension Limits	Units	MILLIMETERS		
		MIN	NOM	MAX
Number of Terminals	N	8		
Pitch	e	0.65 BSC		
Overall Height	A	–	–	1.10
Standoff	A1	0.00	–	0.15
Molded Package Thickness	A2	0.75	0.85	0.95
Overall Length	D	3.00 BSC		
Overall Width	E	4.90 BSC		
Molded Package Width	E1	3.00 BSC		
Terminal Width	b	0.22	–	0.40
Terminal Thickness	c	0.08	–	0.23
Terminal Length	L	0.40	0.60	0.80
Footprint	L1	0.95 REF		
Lead Bend Radius	R	0.07	–	–
Lead Bend Radius	R1	0.07	–	–
Foot Angle	θ	0°	–	8°
Mold Draft Angle	θ1	5°	–	15°

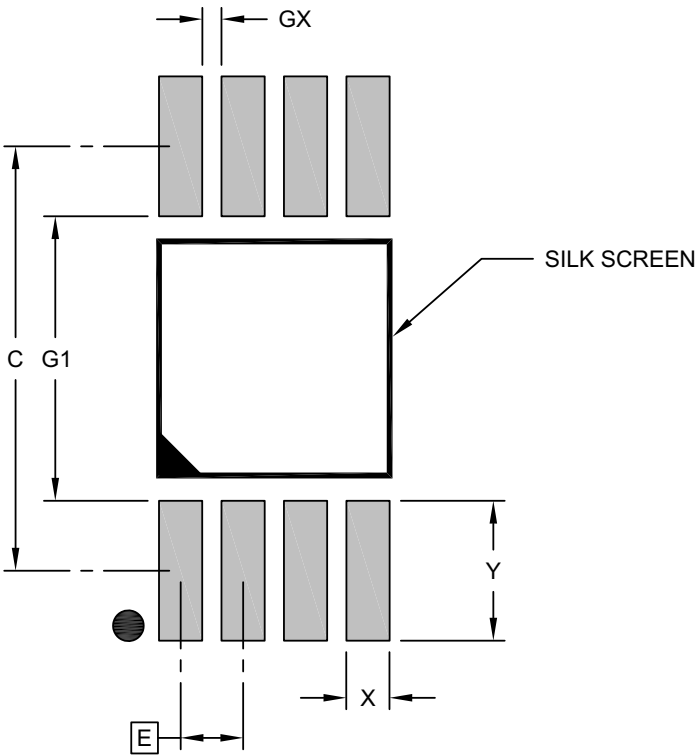
Notes:

- Pin 1 visual index feature may vary, but must be located within the hatched area.
- Dimensions D and E1 do not include mold flash or protrusions. Mold flash or protrusions shall not exceed 0.15mm per side.
- Dimensioning and tolerancing per ASME Y14.5M
 BSC: Basic Dimension. Theoretically exact value shown without tolerances.
 REF: Reference Dimension, usually without tolerance, for information purposes only.

Microchip Technology Drawing C04-111-MS Rev F Sheet 2 of 2

8-Lead Plastic Micro Small Outline Package (MS) - 3x3 mm Body [MSOP]

Note: For the most current package drawings, please see the Microchip Packaging Specification located at <http://www.microchip.com/packaging>



RECOMMENDED LAND PATTERN

Dimension Limits	Units	MILLIMETERS		
		MIN	NOM	MAX
Contact Pitch	E	0.65 BSC		
Contact Pad Spacing	C	4.40		
Contact Pad Width (X8)	X			0.45
Contact Pad Length (X8)	Y			1.45
Contact Pad to Contact Pad (X4)	G1	2.95		
Contact Pad to Contact Pad (X6)	GX	0.20		

Notes:

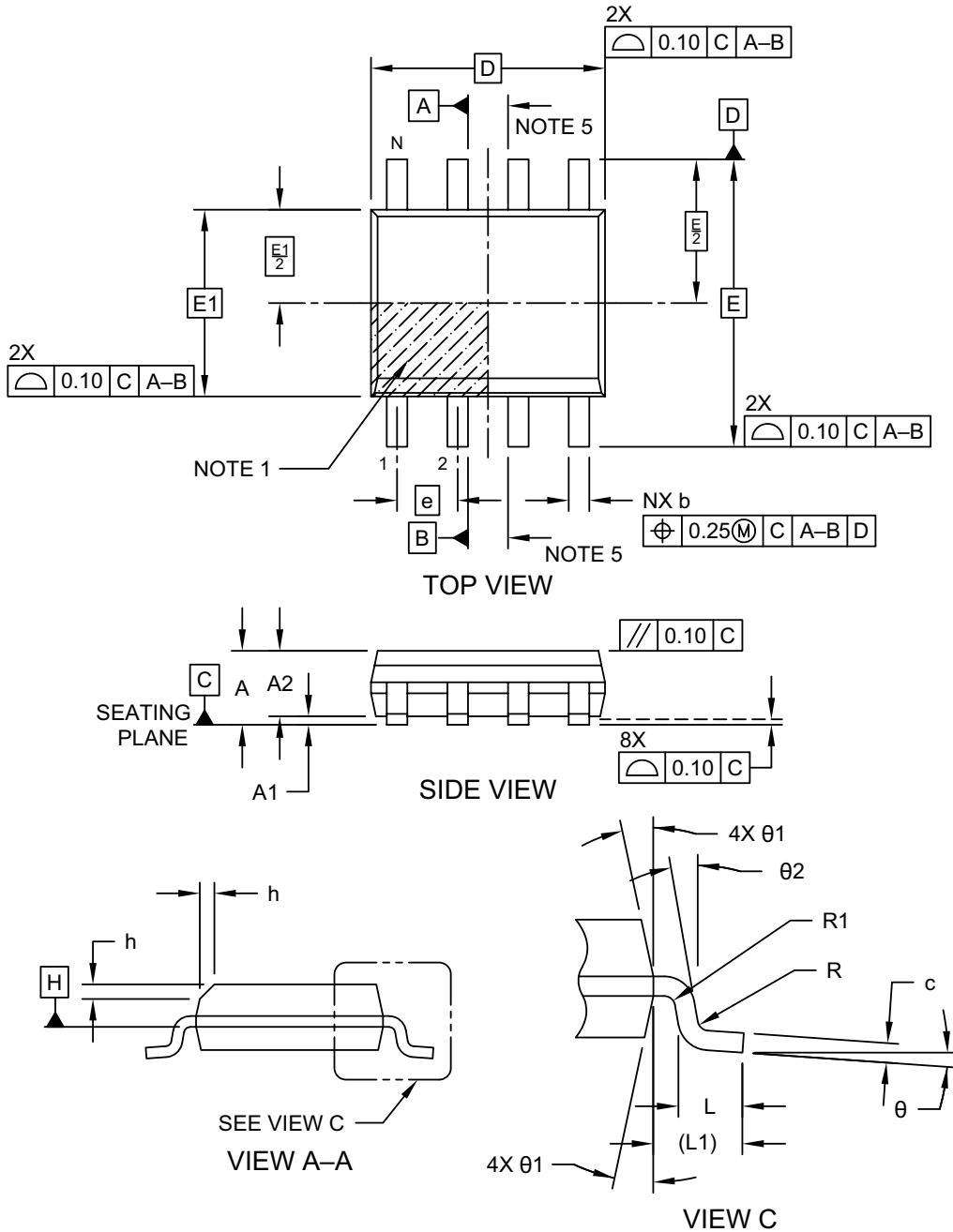
1. Dimensioning and tolerancing per ASME Y14.5M
BSC: Basic Dimension. Theoretically exact value shown without tolerances.

Microchip Technology Drawing C04-2111-MS Rev F

25CS320

8-Lead Plastic Small Outline (SN) - Narrow, 3.90 mm (.150 In.) Body [SOIC]

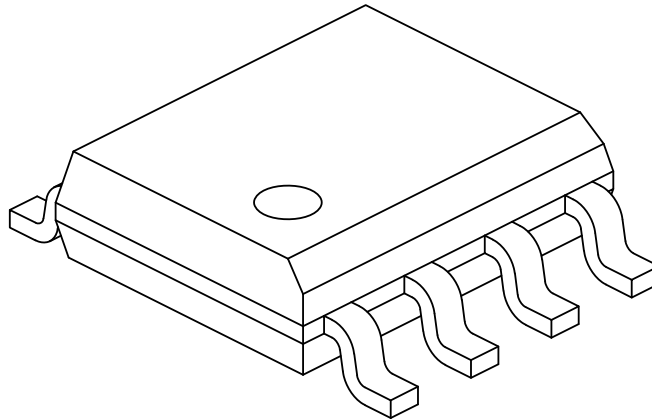
Note: For the most current package drawings, please see the Microchip Packaging Specification located at <http://www.microchip.com/packaging>



Microchip Technology Drawing No. C04-057-SN Rev K Sheet 1 of 2

8-Lead Plastic Small Outline (SN) - Narrow, 3.90 mm (.150 In.) Body [SOIC]

Note: For the most current package drawings, please see the Microchip Packaging Specification located at <http://www.microchip.com/packaging>



Dimension Limits	Units	MILLIMETERS		
		MIN	NOM	MAX
Number of Pins	N	8		
Pitch	e	1.27 BSC		
Overall Height	A	–	–	1.75
Molded Package Thickness	A2	1.25	–	–
Standoff §	A1	0.10	–	0.25
Overall Width	E	6.00 BSC		
Molded Package Width	E1	3.90 BSC		
Overall Length	D	4.90 BSC		
Chamfer (Optional)	h	0.25	–	0.50
Foot Length	L	0.40	–	1.27
Footprint	L1	1.04 REF		
Lead Thickness	c	0.17	–	0.25
Lead Width	b	0.31	–	0.51
Lead Bend Radius	R	0.07	–	–
Lead Bend Radius	R1	0.07	–	–
Foot Angle	θ	0°	–	8°
Mold Draft Angle	θ1	5°	–	15°
Lead Angle	θ2	0°	–	–

Notes:

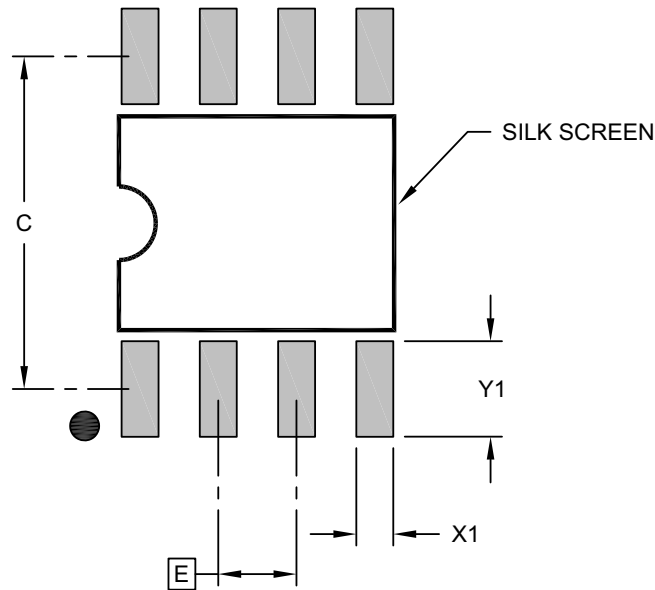
- Pin 1 visual index feature may vary, but must be located within the hatched area.
- § Significant Characteristic
- Dimensions D and E1 do not include mold flash or protrusions. Mold flash or protrusions shall not exceed 0.15mm per side.
- Dimensioning and tolerancing per ASME Y14.5M
 BSC: Basic Dimension. Theoretically exact value shown without tolerances.
 REF: Reference Dimension, usually without tolerance, for information purposes only.
- Datums A & B to be determined at Datum H.

Microchip Technology Drawing No. C04-057-SN Rev K Sheet 2 of 2

25CS320

8-Lead Plastic Small Outline (SN) - Narrow, 3.90 mm (.150 In.) Body [SOIC]

Note: For the most current package drawings, please see the Microchip Packaging Specification located at <http://www.microchip.com/packaging>



RECOMMENDED LAND PATTERN

Dimension Limits	Units	MILLIMETERS		
		MIN	NOM	MAX
Contact Pitch	E	1.27 BSC		
Contact Pad Spacing	C		5.40	
Contact Pad Width (X8)	X1			0.60
Contact Pad Length (X8)	Y1			1.55

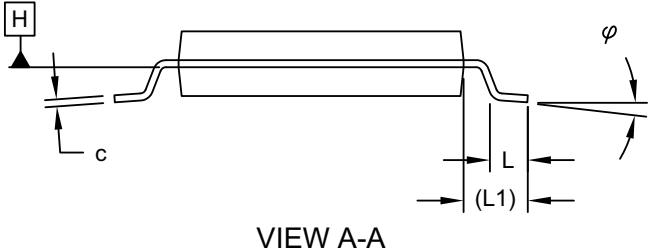
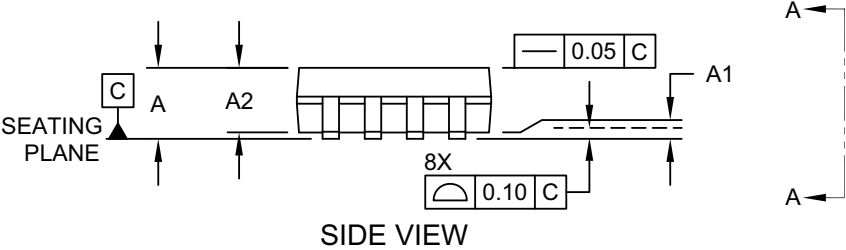
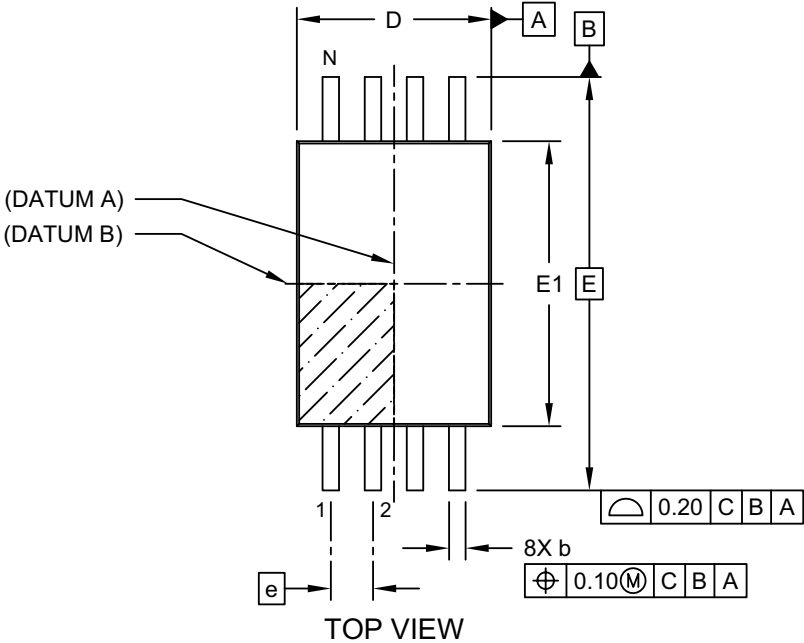
Notes:

1. Dimensioning and tolerancing per ASME Y14.5M
BSC: Basic Dimension. Theoretically exact value shown without tolerances.

Microchip Technology Drawing C04-2057-SN Rev K

8-Lead Plastic Thin Shrink Small Outline (ST) - 4.4 mm Body [TSSOP]

Note: For the most current package drawings, please see the Microchip Packaging Specification located at <http://www.microchip.com/packaging>

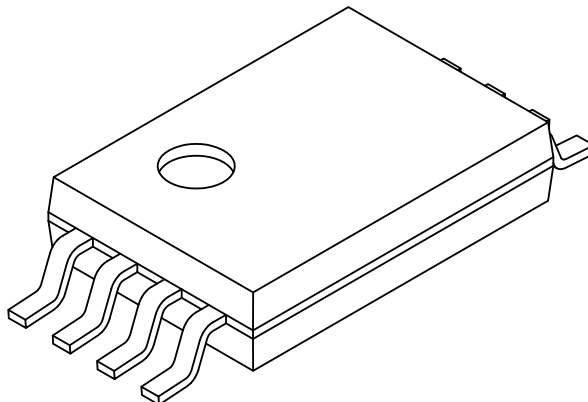


Microchip Technology Drawing C04-086 Rev C Sheet 1 of 2

25CS320

8-Lead Plastic Thin Shrink Small Outline (ST) - 4.4 mm Body [TSSOP]

Note: For the most current package drawings, please see the Microchip Packaging Specification located at <http://www.microchip.com/packaging>



Dimension Limits	Units	MILLIMETERS		
		MIN	NOM	MAX
Number of Pins	N	8		
Pitch	e	0.65 BSC		
Overall Height	A	-	-	1.20
Molded Package Thickness	A2	0.80	1.00	1.05
Standoff	A1	0.05	-	-
Overall Width	E	6.40 BSC		
Molded Package Width	E1	4.30	4.40	4.50
Overall Length	D	2.90	3.00	3.10
Foot Length	L	0.45	0.60	0.75
Footprint	L1	1.00 REF		
Lead Thickness	c	0.09	-	0.25
Foot Angle	φ	0°	4°	8°
Lead Width	b	0.19	-	0.30

Notes:

1. Pin 1 visual index feature may vary, but must be located within the hatched area.
2. Dimensions D and E1 do not include mold flash or protrusions. Mold flash or protrusions shall not exceed 0.20mm per side.
3. Dimensioning and tolerancing per ASME Y14.5M

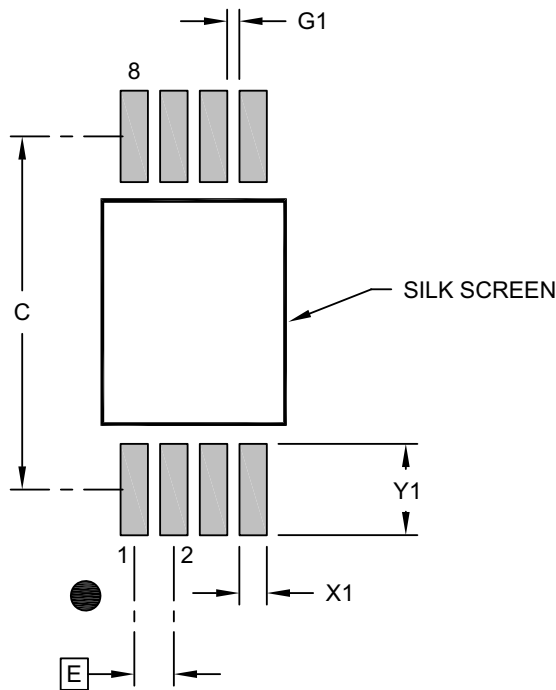
BSC: Basic Dimension. Theoretically exact value shown without tolerances.

REF: Reference Dimension, usually without tolerance, for information purposes only.

Microchip Technology Drawing C04-086 Rev C Sheet 2 of 2

8-Lead Plastic Thin Shrink Small Outline (ST) - 4.4 mm Body [TSSOP]

Note: For the most current package drawings, please see the Microchip Packaging Specification located at <http://www.microchip.com/packaging>



RECOMMENDED LAND PATTERN

Dimension Limits	Units	MILLIMETERS		
		MIN	NOM	MAX
Contact Pitch	E	0.65 BSC		
Contact Pad Spacing	C	5.80		
Contact Pad Width (X8)	X1			0.45
Contact Pad Length (X8)	Y1			1.50
Contact Pad to Center Pad (X6)	G1	0.20		

Notes:

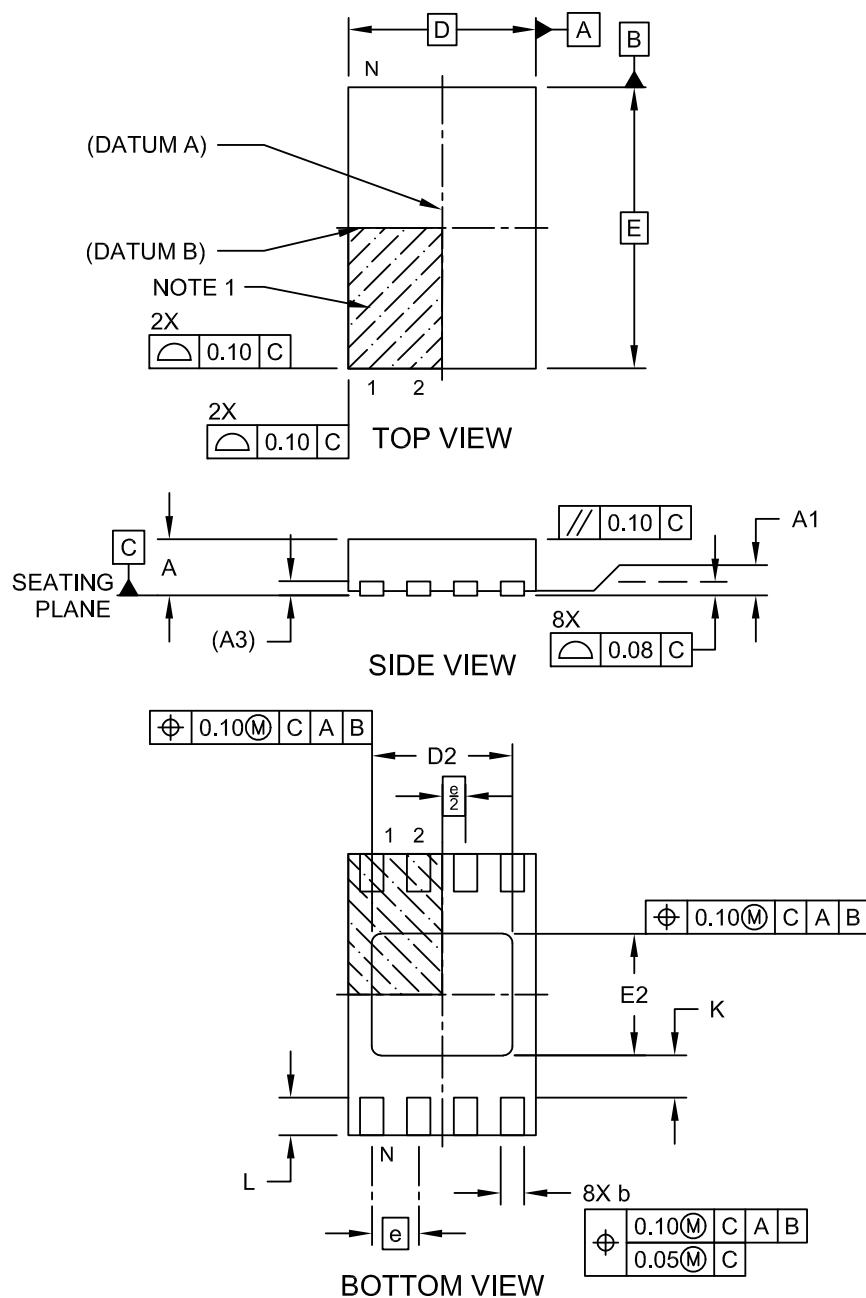
1. Dimensioning and tolerancing per ASME Y14.5M
BSC: Basic Dimension. Theoretically exact value shown without tolerances.
2. For best soldering results, thermal vias, if used, should be filled or tented to avoid solder loss during reflow process

Microchip Technology Drawing C04-2086 Rev B

25CS320

8-Lead Ultra Thin Plastic Dual Flat, No Lead Package (Q4B) - 2x3 mm Body [UDFN] Atmel Legacy Global Package Code YNZ

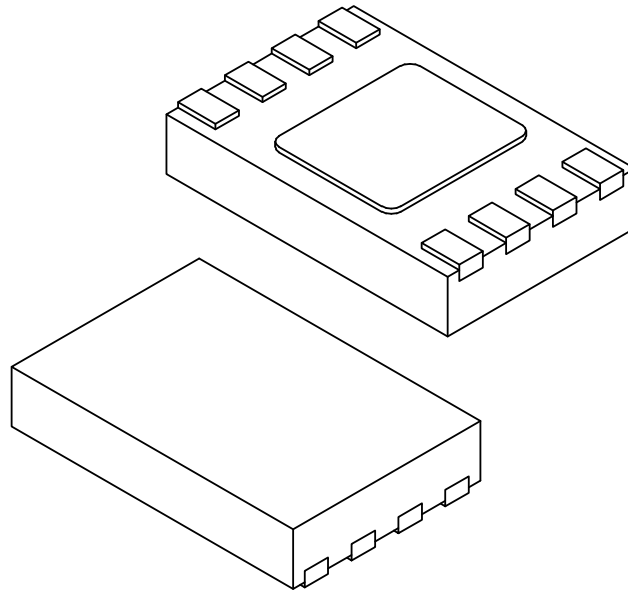
Note: For the most current package drawings, please see the Microchip Packaging Specification located at <http://www.microchip.com/packaging>



Microchip Technology Drawing C04-21355-Q4B Rev C Sheet 1 of 2

8-Lead Ultra Thin Plastic Dual Flat, No Lead Package (Q4B) - 2x3 mm Body [UDFN] Atmel Legacy Global Package Code YNZ

Note: For the most current package drawings, please see the Microchip Packaging Specification located at <http://www.microchip.com/packaging>



Units		MILLIMETERS		
Dimension Limits		MIN	NOM	MAX
Number of Terminals	N	8		
Pitch	e	0.50 BSC		
Overall Height	A	0.50	0.55	0.60
Standoff	A1	0.00	0.02	0.05
Terminal Thickness	A3	0.152 REF		
Overall Length	D	2.00 BSC		
Exposed Pad Length	D2	1.40	1.50	1.60
Overall Width	E	3.00 BSC		
Exposed Pad Width	E2	1.20	1.30	1.40
Terminal Width	b	0.18	0.25	0.30
Terminal Length	L	0.25	0.35	0.45
Terminal-to-Exposed-Pad	K	0.20	-	-

Notes:

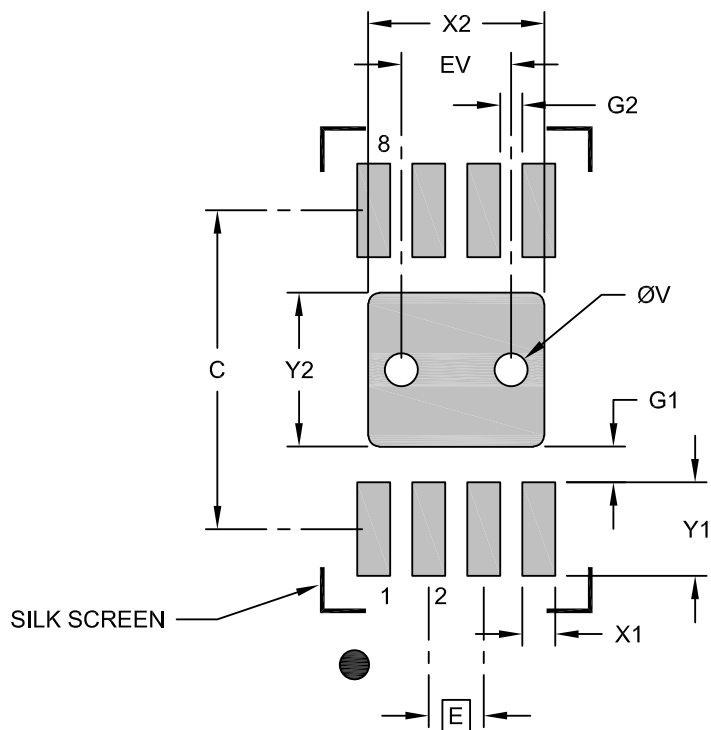
- Pin 1 visual index feature may vary, but must be located within the hatched area.
- Package is saw singulated
- Dimensioning and tolerancing per ASME Y14.5M
 - BSC: Basic Dimension. Theoretically exact value shown without tolerances.
 - REF: Reference Dimension, usually without tolerance, for information purposes only.

Microchip Technology Drawing C04-21355-Q4B Rev C Sheet 2 of 2

25CS320

8-Lead Ultra Thin Plastic Dual Flat, No Lead Package (Q4B) - 2x3 mm Body [UDFN] Atmel Legacy Global Package Code YNZ

Note: For the most current package drawings, please see the Microchip Packaging Specification located at <http://www.microchip.com/packageing>



RECOMMENDED LAND PATTERN

Dimension Limits	Units	MILLIMETERS		
		MIN	NOM	MAX
Contact Pitch	E	0.50 BSC		
Optional Center Pad Width	X2			1.60
Optional Center Pad Length	Y2			1.40
Contact Pad Spacing	C	2.90		
Contact Pad Width (X8)	X1			0.30
Contact Pad Length (X8)	Y1			0.85
Contact Pad to Center Pad (X8)	G1	0.33		
Contact Pad to Contact Pad (X6)	G2	0.20		
Thermal Via Diameter	V		0.30	
Thermal Via Pitch	EV		1.00	

Notes:

1. Dimensioning and tolerancing per ASME Y14.5M
BSC: Basic Dimension. Theoretically exact value shown without tolerances.
2. For best soldering results, thermal vias, if used, should be filled or tented to avoid solder loss during reflow process

Microchip Technology Drawing C04-23355-Q4B Rev C

APPENDIX A: REVISION HISTORY

Revision A (07/2024)

Initial release of this document.

THE MICROCHIP WEBSITE

Microchip provides online support via our website at <https://www.microchip.com>. This website is used to make files and information easily available to customers. Some of the available content includes:

- **Product Support** – Data sheets and errata, application notes and sample programs, design resources, user's guides and hardware support documents, the latest software releases and archived software
- **General Technical Support** – Frequently Asked Questions (FAQs), technical support requests, online discussion groups and a Microchip design partner program member listing
- **Business of Microchip** – Product selector and ordering guides, the latest Microchip press releases, a listing of seminars and events, listings of Microchip sales offices, distributors and factory representatives

PRODUCT CHANGE NOTIFICATION SERVICE

Microchip's product change notification service helps keep customers current on Microchip products. Subscribers will receive email notifications whenever there are changes, updates, revisions or errata related to a specified product family or development tool of interest.

To register, go to <https://www.microchip.com/pcn> and follow the registration instructions.

CUSTOMER SUPPORT

Users of Microchip products can receive assistance through several channels:

- Distributor or Representative
- Local Sales Office
- Embedded Solutions Engineer (ESE)
- Technical Support

Customers should contact their distributor, representative or ESE for support. Local sales offices are also available to help customers. A listing of sales offices and locations is included in this document.

Technical support is available through the website at: <https://www.microchip.com/support>

PRODUCT IDENTIFICATION SYSTEM

To order or obtain information, e.g., on pricing or delivery, refer to the factory or the listed sales office.

<u>PART NO.</u>	<u>IXI</u> ⁽¹⁾	<u>=X</u>	<u>IXX</u>	
Device	Tape and Reel Option	Temperature Range	Package	
<p>Device: 25CS320 = 32-Kbit SPI Serial EEPROM with Security Register</p>				
<p>Tape and Reel Option: Blank = Standard packaging (tube or tray) T = Tape and Reel⁽¹⁾</p>				
<p>Temperature Range: I = -40°C to +85°C (Industrial) E = -40°C to +125°C (Extended E-Temp.) H = -40°C to +150°C (Extended H-Temp.)</p>				
<p>Package: MS = 8-Lead Plastic Micro Small Outline Package SN = 8-Lead Plastic Small Outline – Narrow, 3.90 mm Body ST = 8-Lead Plastic Thin Shrink Small Outline – 4.4 mm Body Q4B = 8-Lead Plastic Dual Flat, No Lead Package – 2x3 mm (Tape and Reel only)</p>				
				<p>Examples:</p> <p>a) 25CS320T-I/MS =Tape and Reel, Industrial Temp., 1.7V-5.5V, MSOP Package.</p> <p>b) 25CS320-E/MS =Extended E-Temp., 1.8V-5.5V, MSOP Package.</p> <p>c) 25CS320T-I/SN =Tape and Reel, Industrial Temp., 1.7V-5.5V, SOIC Package.</p> <p>d) 25CS320T-E/SN =Tape and Reel, Extended E-Temp., 1.8V-5.5V, SOIC Package.</p> <p>e) 25CS320-H/SN =Extended H-Temp., 2.5V-5.5V, SOIC Package.</p> <p>f) 25CS320-I/ST =Industrial Temp., 1.7V-5.5V, TSSOP Package.</p> <p>g) 25CS320-E/ST =Extended E-Temp., 1.8V-5.5V, TSSOP Package.</p> <p>h) 25CS320T-H/ST =Tape and Reel, Extended H-Temp., 2.5V-5.5V, TSSOP Package.</p> <p>i) 25CS320T-I/Q4B =Tape and Reel, Industrial Temp., 1.7V-5.5V, UDFN Package.</p> <p>j) 25CS320T-E/Q4B =Tape and Reel, Extended E-Temp., 1.8V-5.5V, UDFN Package.</p>
				<p>Note 1: Tape and Reel identifier only appears in the catalog part number description. This identifier is used for ordering purposes and is not printed on the device package. Check with your Microchip Sales Office for package availability with the Tape and Reel option.</p>

Note the following details of the code protection feature on Microchip products:

- Microchip products meet the specifications contained in their particular Microchip Data Sheet.
- Microchip believes that its family of products is secure when used in the intended manner, within operating specifications, and under normal conditions.
- Microchip values and aggressively protects its intellectual property rights. Attempts to breach the code protection features of Microchip product is strictly prohibited and may violate the Digital Millennium Copyright Act.
- Neither Microchip nor any other semiconductor manufacturer can guarantee the security of its code. Code protection does not mean that we are guaranteeing the product is "unbreakable" Code protection is constantly evolving. Microchip is committed to continuously improving the code protection features of our products.

This publication and the information herein may be used only with Microchip products, including to design, test, and integrate Microchip products with your application. Use of this information in any other manner violates these terms. Information regarding device applications is provided only for your convenience and may be superseded by updates. It is your responsibility to ensure that your application meets with your specifications. Contact your local Microchip sales office for additional support or, obtain additional support at <https://www.microchip.com/en-us/support/design-help/client-support-services>.

THIS INFORMATION IS PROVIDED BY MICROCHIP "AS IS". MICROCHIP MAKES NO REPRESENTATIONS OR WARRANTIES OF ANY KIND WHETHER EXPRESS OR IMPLIED, WRITTEN OR ORAL, STATUTORY OR OTHERWISE, RELATED TO THE INFORMATION INCLUDING BUT NOT LIMITED TO ANY IMPLIED WARRANTIES OF NON-INFRINGEMENT, MERCHANTABILITY, AND FITNESS FOR A PARTICULAR PURPOSE, OR WARRANTIES RELATED TO ITS CONDITION, QUALITY, OR PERFORMANCE.

IN NO EVENT WILL MICROCHIP BE LIABLE FOR ANY INDIRECT, SPECIAL, PUNITIVE, INCIDENTAL, OR CONSEQUENTIAL LOSS, DAMAGE, COST, OR EXPENSE OF ANY KIND WHATSOEVER RELATED TO THE INFORMATION OR ITS USE, HOWEVER CAUSED, EVEN IF MICROCHIP HAS BEEN ADVISED OF THE POSSIBILITY OR THE DAMAGES ARE FORESEEABLE. TO THE FULLEST EXTENT ALLOWED BY LAW, MICROCHIP'S TOTAL LIABILITY ON ALL CLAIMS IN ANY WAY RELATED TO THE INFORMATION OR ITS USE WILL NOT EXCEED THE AMOUNT OF FEES, IF ANY, THAT YOU HAVE PAID DIRECTLY TO MICROCHIP FOR THE INFORMATION.

Use of Microchip devices in life support and/or safety applications is entirely at the buyer's risk, and the buyer agrees to defend, indemnify and hold harmless Microchip from any and all damages, claims, suits, or expenses resulting from such use. No licenses are conveyed, implicitly or otherwise, under any Microchip intellectual property rights unless otherwise stated.

For information regarding Microchip's Quality Management Systems, please visit www.microchip.com/quality.

Trademarks

The Microchip name and logo, the Microchip logo, Adaptec, AVR, AVR logo, AVR Freaks, BesTime, BitCloud, CryptoMemory, CryptoRF, dsPIC, flexPWR, HELDO, IGLOO, JukeBlox, KeeLoq, Kleer, LANCheck, LinkMD, maXStylus, maXTouch, MediaLB, megaAVR, Microsemi, Microsemi logo, MOST, MOST logo, MPLAB, OptoLyzer, PIC, picoPower, PICSTART, PIC32 logo, PolarFire, Prochip Designer, QTouch, SAM-BA, SenGenuity, SpyNIC, SST, SST Logo, SuperFlash, Symmetricom, SyncServer, Tachyon, TimeSource, tinyAVR, UNI/O, Vectron, and XMEGA are registered trademarks of Microchip Technology Incorporated in the U.S.A. and other countries.

AgileSwitch, ClockWorks, The Embedded Control Solutions Company, EtherSynch, Flashtec, Hyper Speed Control, HyperLight Load, Libero, motorBench, mTouch, Powermite 3, Precision Edge, ProASIC, ProASIC Plus, ProASIC Plus logo, Quiet-Wire, SmartFusion, SyncWorld, TimeCesium, TimeHub, TimePictra, TimeProvider, and ZL are registered trademarks of Microchip Technology Incorporated in the U.S.A.

Adjacent Key Suppression, AKS, Analog-for-the-Digital Age, Any Capacitor, AnyIn, AnyOut, Augmented Switching, BlueSky, BodyCom, Clockstudio, CodeGuard, CryptoAuthentication, CryptoAutomotive, CryptoCompanion, CryptoController, dsPICDEM, dsPICDEM.net, Dynamic Average Matching, DAM, ECAN, Espresso T1S, EtherGREEN, EyeOpen, GridTime, IdealBridge, IGA, In-Circuit Serial Programming, ICSP, INICnet, Intelligent Paralleling, IntelliMOS, Inter-Chip Connectivity, JitterBlocker, Knob-on-Display, MarginLink, maxCrypto, maxView, memBrain, Mindi, MiWi, MPASM, MPF, MPLAB Certified logo, MPLIB, MPLINK, mSiC, MultiTRAK, NetDetach, Omniscient Code Generation, PICDEM, PICDEM.net, PICKit, PICtail, Power MOS IV, Power MOS 7, PowerSmart, PureSilicon, QMatrix, REAL ICE, Ripple Blocker, RTAX, RTG4, SAM-ICE, Serial Quad I/O, simpleMAP, SimpliPHY, SmartBuffer, SmartHLS, SMART-I.S., storClad, SQL, SuperSwitcher, SuperSwitcher II, Switchtec, SynchroPHY, Total Endurance, Trusted Time, TSHARC, Turing, USBCheck, VariSense, VectorBlox, VeriPHY, ViewSpan, WiperLock, XpressConnect, and ZENA are trademarks of Microchip Technology Incorporated in the U.S.A. and other countries.

SQTP is a service mark of Microchip Technology Incorporated in the U.S.A.

The Adaptec logo, Frequency on Demand, Silicon Storage Technology, and Symmcom are registered trademarks of Microchip Technology Inc. in other countries.

GestIC is a registered trademark of Microchip Technology Germany II GmbH & Co. KG, a subsidiary of Microchip Technology Inc., in other countries.

All other trademarks mentioned herein are property of their respective companies.

© 2024, Microchip Technology Incorporated and its subsidiaries.

All Rights Reserved.

ISBN: 978-1-6683-4938-0



MICROCHIP

Worldwide Sales and Service

AMERICAS

Corporate Office
2355 West Chandler Blvd.
Chandler, AZ 85224-6199
Tel: 480-792-7200
Fax: 480-792-7277
Technical Support:
[http://www.microchip.com/
support](http://www.microchip.com/support)
Web Address:
www.microchip.com

Atlanta

Duluth, GA
Tel: 678-957-9614
Fax: 678-957-1455

Austin, TX

Tel: 512-257-3370

Boston

Westborough, MA
Tel: 774-760-0087
Fax: 774-760-0088

Chicago

Itasca, IL
Tel: 630-285-0071
Fax: 630-285-0075

Dallas

Addison, TX
Tel: 972-818-7423
Fax: 972-818-2924

Detroit

Novi, MI
Tel: 248-848-4000

Houston, TX

Tel: 281-894-5983

Indianapolis

Noblesville, IN
Tel: 317-773-8323
Fax: 317-773-5453
Tel: 317-536-2380

Los Angeles

Mission Viejo, CA
Tel: 949-462-9523
Fax: 949-462-9608
Tel: 951-273-7800

Raleigh, NC

Tel: 919-844-7510

New York, NY

Tel: 631-435-6000

San Jose, CA

Tel: 408-735-9110
Tel: 408-436-4270

Canada - Toronto

Tel: 905-695-1980
Fax: 905-695-2078

ASIA/PACIFIC

Australia - Sydney
Tel: 61-2-9868-6733

China - Beijing
Tel: 86-10-8569-7000

China - Chengdu
Tel: 86-28-8665-5511

China - Chongqing
Tel: 86-23-8980-9588

China - Dongguan
Tel: 86-769-8702-9880

China - Guangzhou
Tel: 86-20-8755-8029

China - Hangzhou
Tel: 86-571-8792-8115

China - Hong Kong SAR
Tel: 852-2943-5100

China - Nanjing
Tel: 86-25-8473-2460

China - Qingdao
Tel: 86-532-8502-7355

China - Shanghai
Tel: 86-21-3326-8000

China - Shenyang
Tel: 86-24-2334-2829

China - Shenzhen
Tel: 86-755-8864-2200

China - Suzhou
Tel: 86-186-6233-1526

China - Wuhan
Tel: 86-27-5980-5300

China - Xian
Tel: 86-29-8833-7252

China - Xiamen
Tel: 86-592-2388138

China - Zhuhai
Tel: 86-756-3210040

ASIA/PACIFIC

India - Bangalore
Tel: 91-80-3090-4444

India - New Delhi
Tel: 91-11-4160-8631

India - Pune
Tel: 91-20-4121-0141

Japan - Osaka
Tel: 81-6-6152-7160

Japan - Tokyo
Tel: 81-3-6880-3770

Korea - Daegu
Tel: 82-53-744-4301

Korea - Seoul
Tel: 82-2-554-7200

Malaysia - Kuala Lumpur
Tel: 60-3-7651-7906

Malaysia - Penang
Tel: 60-4-227-8870

Philippines - Manila
Tel: 63-2-634-9065

Singapore
Tel: 65-6334-8870

Taiwan - Hsin Chu
Tel: 886-3-577-8366

Taiwan - Kaohsiung
Tel: 886-7-213-7830

Taiwan - Taipei
Tel: 886-2-2508-8600

Thailand - Bangkok
Tel: 66-2-694-1351

Vietnam - Ho Chi Minh
Tel: 84-28-5448-2100

EUROPE

Austria - Wels
Tel: 43-7242-2244-39
Fax: 43-7242-2244-393

Denmark - Copenhagen
Tel: 45-4485-5910
Fax: 45-4485-2829

Finland - Espoo
Tel: 358-9-4520-820

France - Paris
Tel: 33-1-69-53-63-20
Fax: 33-1-69-30-90-79

Germany - Garching
Tel: 49-8931-9700

Germany - Haan
Tel: 49-2129-3766400

Germany - Heilbronn
Tel: 49-7131-72400

Germany - Karlsruhe
Tel: 49-721-625370

Germany - Munich
Tel: 49-89-627-144-0
Fax: 49-89-627-144-44

Germany - Rosenheim
Tel: 49-8031-354-560

Israel - Hod Hasharon
Tel: 972-9-775-5100

Italy - Milan
Tel: 39-0331-742611
Fax: 39-0331-466781

Italy - Padova
Tel: 39-049-7625286

Netherlands - Drunen
Tel: 31-416-690399
Fax: 31-416-690340

Norway - Trondheim
Tel: 47-7288-4388

Poland - Warsaw
Tel: 48-22-3325737

Romania - Bucharest
Tel: 40-21-407-87-50

Spain - Madrid
Tel: 34-91-708-08-90
Fax: 34-91-708-08-91

Sweden - Gothenberg
Tel: 46-31-704-60-40

Sweden - Stockholm
Tel: 46-8-5090-4654

UK - Wokingham
Tel: 44-118-921-5800
Fax: 44-118-921-5820