



■ Features

- Driven by constant voltage DC12V, safe and reliable
- High brightness LED, wide beam angle, low lumen depreciation
- Dimmable with LED strip light controller
- IP 65 design
- 2 years warranty

■ Applications

- LED decorative lighting
- LED indoor lighting

■ Description

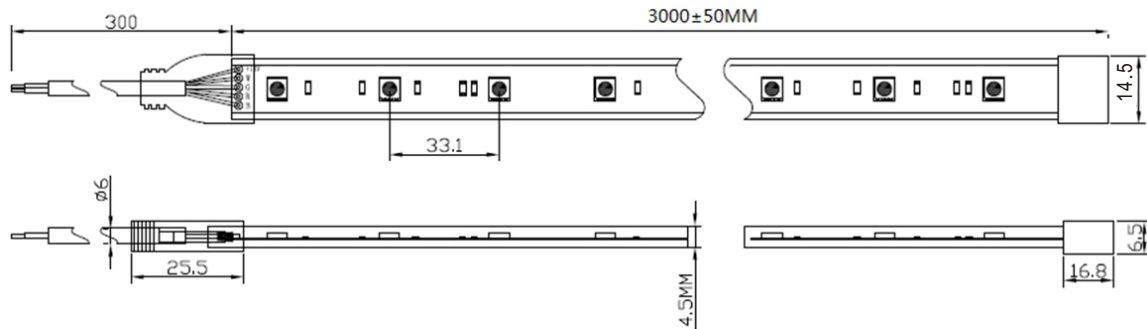
IRL-RGB-01 is a LED strip module utilizing 5050 SMD package and the FPC PCB as the substrate. It is highly flexible and easily bendable, rated IP65 and anti-UV. The brightness and color of the module can be adjusted by the means of a RGB controller. It perfectly fits various types of LED decorative lighting applications.

SPECIFICATION

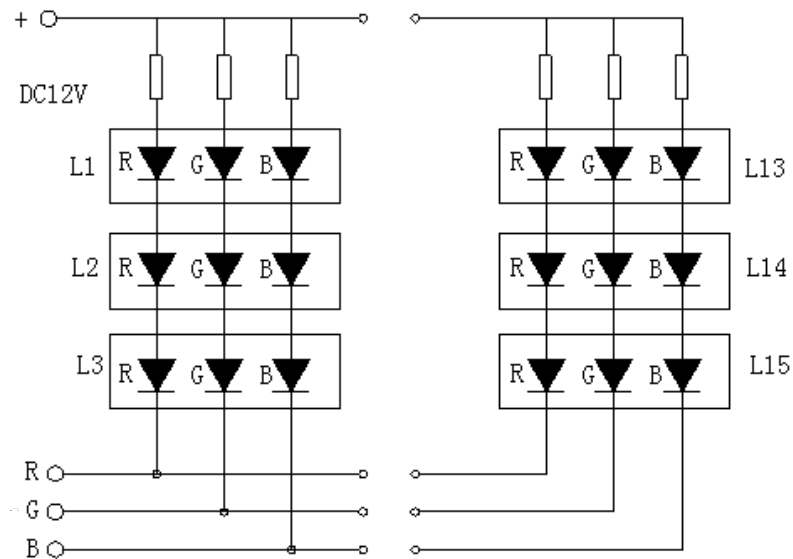
MODEL	IRL-RGB-01
DIMENSION	3000×14.5×6.5mm (L*W*H)
COLOR	RGB
BEAM ANGLE	120°
LED PACKAGE	5050(three color)
LED QUANTITY	30 LEDs/m
LUMINOUS FLUX	135lm/m
WAVELENGTH OR COLOR TEMPERATURE	R:620-630nm G:515-525nm B:460-470nm
RATED WORKING VOLTAGE	DC12V
RATED INPUT POWER	6.5W/m
WORKING TEMPERATURE	-20°C~ +45°C
IP LEVEL	IP 65
PACKING	0.11Kg,40pcs/8.5Kg/44x40x26cm
NOTE : The luminous flux is allowed to float with + 10%.	

■ Mechanical Specification

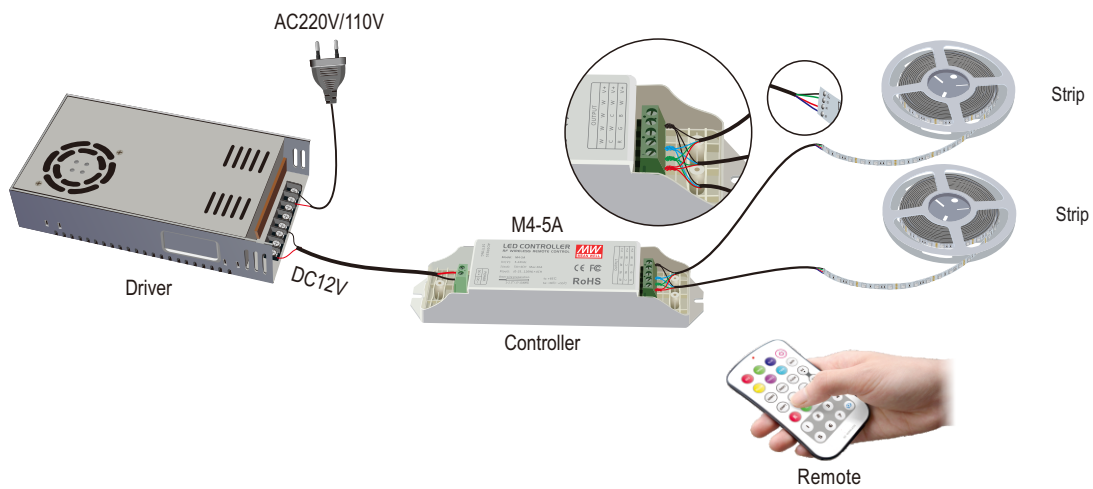
Unit:mm



■ Circuit Diagram



■ Configuration for Brightness Adjustment



■ Cautions

- Cautiously route all wires so they cannot be easily pulled out, pinched or damaged.
- Do not press on the LEDs or other components on the strip.
- Do not twist and bend less than 60mm diameter.
- Do not install the product in an environment, with direct exposure to sunshine, water, oil or corrosion.
- Ensure that the mounting surface is clean, dry and free from oil, grease or wax.
- For the best effect, the power wire of each LED strips should be connected to the driver.
- The power rating of the driver is suggested to be at least 20% higher than the total required wattage of the strip(s) being powered.
- Do not drive the strip before completely releasing it from the reel.
- Switch OFF power at the mains before installing the LED strip. Check the supply voltage and wire connections before switching the power on.

Mouser Electronics

Authorized Distributor

Click to View Pricing, Inventory, Delivery & Lifecycle Information:

[MEAN WELL:](#)

[IRL-RGB-01](#)