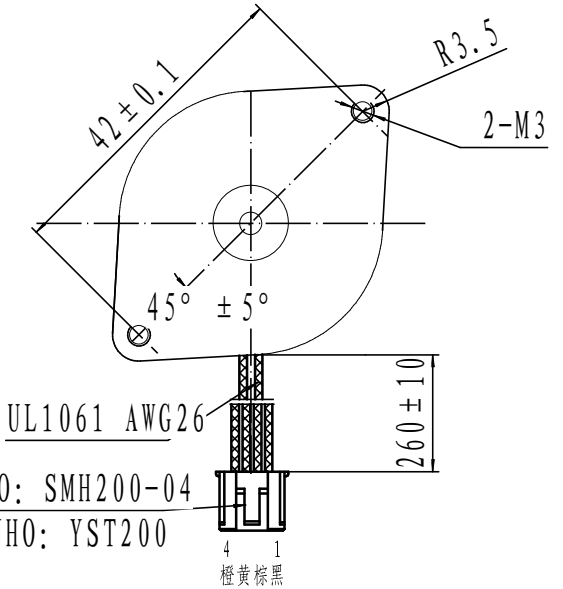
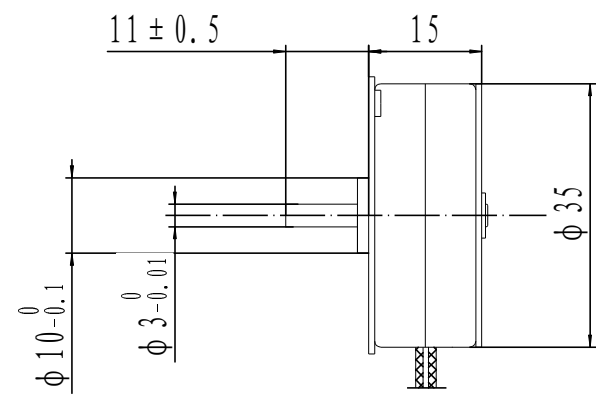
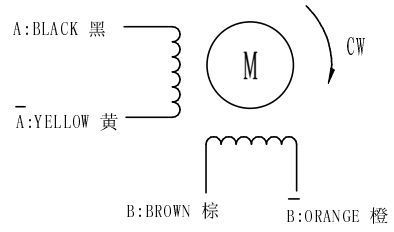


PM35S-048-324F

Voltage 电压 V DC	No. of Phase 相数	Step Angle 步距角	Winding Resistance 线圈电阻 Ω at 25°C	Inductance Per Phase 相电感 1KHz mH	Current Per Phase 相电流 mA	Max Pull-Out Rate 空载运行频率 PPS	Pull-Out Torque at 100PPS 牵出转矩 g.cm	Detent Torque 定位转矩 g.cm	Winding temperature 线圈温升 K	Dielectric Strength 绝缘介电强度 VAC 1SEC 1mA
3	2	7.5°	4 ± 10%	3.5 ± 20%	750	400	> 60	≤ 100	≤ 75	600

Circuit diagram
接线图



Drive Mode Bipolar 驱动方式:2-2

Wire color 引线颜色	PIN NO. 位号	Phase 相位	1	2	3	4
BLACK 黑	1	A	-			-
BROWN 棕	2	B	-	-		
YELLOW 黄	3	A		-	-	
ORANGE 橙	4	B			-	-

CCW ← → CW
Seen from flange side
从轴伸端视

Rev. 标记	Record for changing 更改记录			Date 年月日
Design 设计	周银凤	190906		
Check 审核				
Technology 工艺				
Standard 标准化			Approve 批准	

Unit 单位:mm Scale 比例:1:1
First angle method
第一角画法
Tolerances for linear and angular dimensions without individual tolerance indications
未注线性与角度尺寸公差
GB/T 1804-m eqv ISO2768-1:m
Geometrical tolerance for features without individual tolerance indications
未注形状和位置尺寸公差
GB/T 1084-k eqv ISO 2768-2:k
UNLESS OTHERWISE SPECIFIED

GOOT MOTOR
SPECIFICATION
规格书
TYPE
PM35S-048-324F

Mouser Electronics

Authorized Distributor

Click to View Pricing, Inventory, Delivery & Lifecycle Information:

[Trinamic:](#)

[PM35S-048-324F](#)