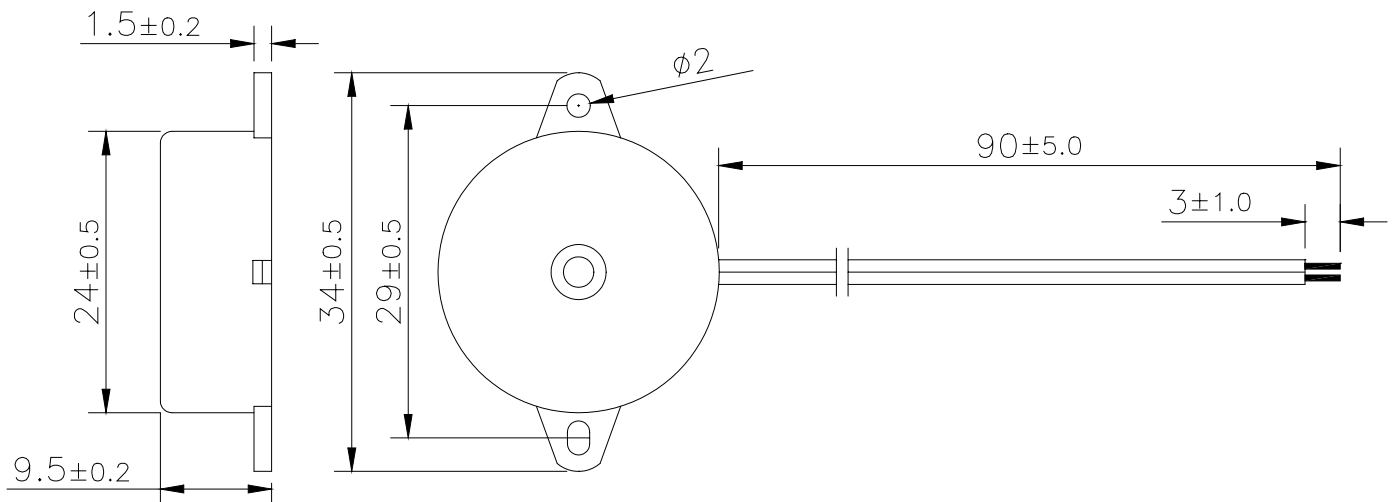


**OBSOLETE- USE PF-27N30WQ****Specificati**

Oscillation Frequency (Hz)	3000 ±500
Operating Voltage (VDC)	3 ~ 30
Rated Voltage (VDC)	12
Current Consumption Max. (mA)	12 at Rated Voltage
Sound Pressure Level Min. (dB)	80 at 30cm at Rated Voltage
Tone / Pulse Rate	Fast Pulse 3.0 ±20%
Operating Temperature (°C)	-20 ~ +70
Storage Temperature (°C)	-30 ~ +80
Housing	ABS 777D UL94 HB plastic resin (Color: Black)
Leading Wire	28 AWG
Weight (Grams)	3.0
Options	For other options contact factory

**Dimensions:** (units: mm)

# Mouser Electronics

Authorized Distributor

Click to View Pricing, Inventory, Delivery & Lifecycle Information:

[Mallory Sonalert:](#)

[PF-21N30W](#)