



Mallory Sonalert Products, Inc.

Part #: **ZT028LDMT5R**

Sales Outline Drawing

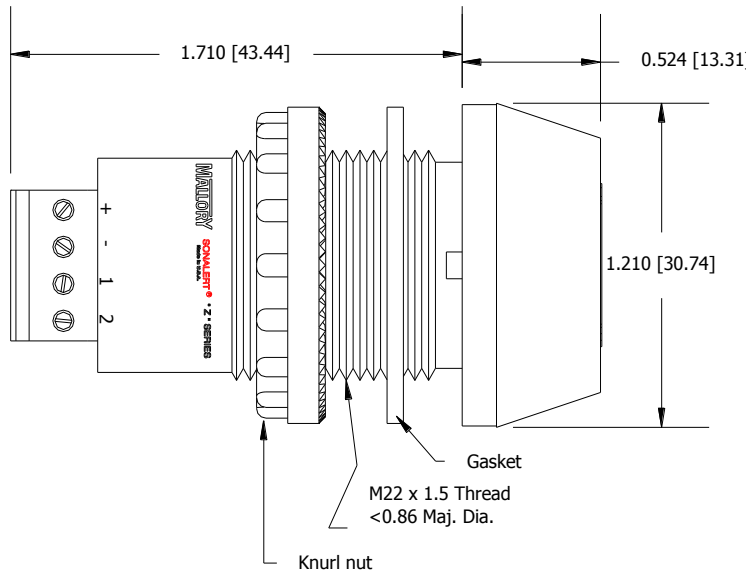
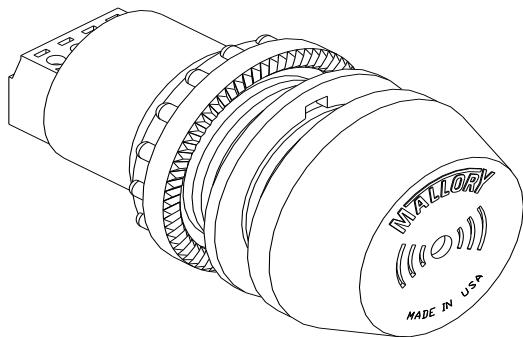
Revision: **C**

Specifications:

Sound Level Category:	Loud	Loud	Loud	Loud
Mode of Operation:	Continuous	Slow Pulse @ 1 PPS	Fast Pulse @ 10 PPS	Dual Tone 3.8 - 3.7 kHz @ 7 WPS
LED Mode of Operation:	Continuous	1 PPS	10 PPS	7 PPS
Loudness @ 2 FT:	85 to 95 dB(A) Typ.	85 to 95 dB(A) Typ.	85 to 95 dB(A) Typ.	85 to 95 dB(A) Typ.
Frequency:	3900 ± 500 Hz	3900 ± 500 Hz	3900 ± 500 Hz	3900 ± 500 Hz
Connection:	"+" to Positive, "-" to Ground	"+" to Positive, "-" and "1" to Ground	"+" to Positive, "-" and "2" to Ground	"+" to Positive, "-", "1" and "2" to Ground
Lens Color:	Opaque White			
LED Color:	RED			
Voltage Rating:	16 to 28 VDC			
Current Draw:	40mA MAX			
Housing Material:	6/6 Nylon, Color: Black			
Front Cap Material	6/6 Nylon, Color: Opaque White			
Storage Temperature:	-40° to +80° C			
Operating Temperature	-30° to +65° C			
Panel Mounting:	Recommended hole size is 22.5 mm. Thread front will fit standard 22.5mm hole.			
Knurled Nut:	Used to attach part to panel. The max recommended torque is 10 in-lbs.			
Weight (Typical):	28 g			
NEMA 3R, 4X, & 12:	Approved with use of included gasket.			
Options:	Please contact factory.			

cUL Recognized

PATENT NUMBER 9165440
9576442



Mouser Electronics

Authorized Distributor

Click to View Pricing, Inventory, Delivery & Lifecycle Information:

[Mallory Sonalert:](#)

[ZT028LDMT5R](#)