



Mallory Sonalert Products, Inc.

Part #:

ZT028LDIC1G

Sales Outline Drawing

Revision:

D

Specifications:

INDIVIDUAL CONTROL OF LIGHT AND SOUND

Function	LIGHT	SOUND
Sound Level Category	N/A	Loud
Mode of Operation	Continuous	Continuous
Lens Color	Opaque White	N/A
LED Color	GREEN	N/A
Rated Voltage	24 VDC	24 VDC
Voltage Range	20 to 28 VDC	20 to 28 VDC
Power Connection	L+ to +Vdc & L- to -Vdc	S+ to +Vdc & S- to -Vdc
Current Draw	25mA MAX	25mA MAX
Frequency	N/A	3900 ± 500 Hz
Loudness @ 2 FT	N/A	85 to 95 dB(A) Typ.
Housing Material	6/6 Nylon, Color: Black	
Front Cap Material	6/6 Nylon, Color: Opaque White	
Storage Temperature	-40° to +80° C	
Operating Temperature	-30° to +65° C	
Panel Mounting	Recommended hole size is 22.5 mm. Thread front will fit standard 22.5mm hole.	
Knurled Nut	Used to attach part to panel. The max recommended torque is 10 in-lbs.	
Weight (Typical)	28 g	
NEMA 3R,4X, & 12	Approved with use of included gasket.	
Options	Please contact factory.	

Dimensions: Inches (mm)

cUL Recognized

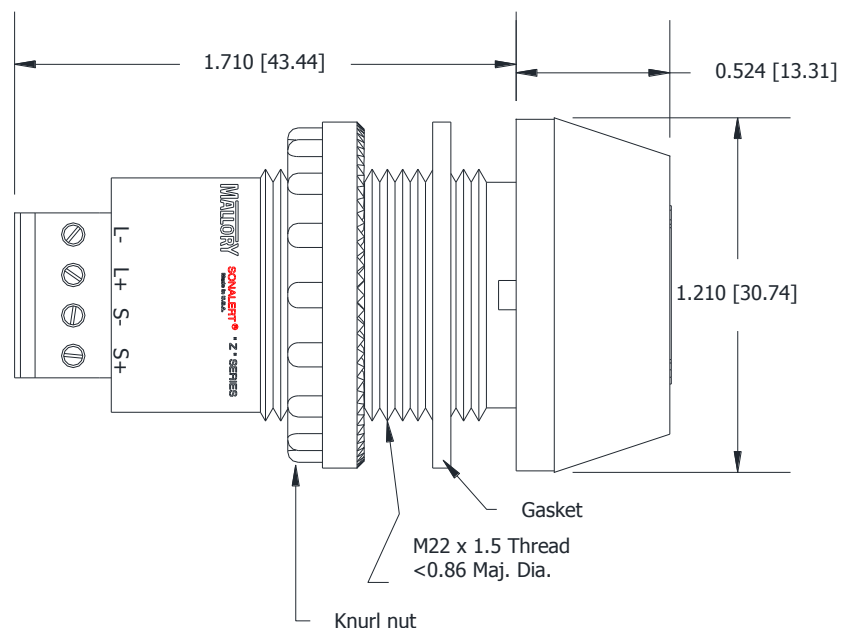
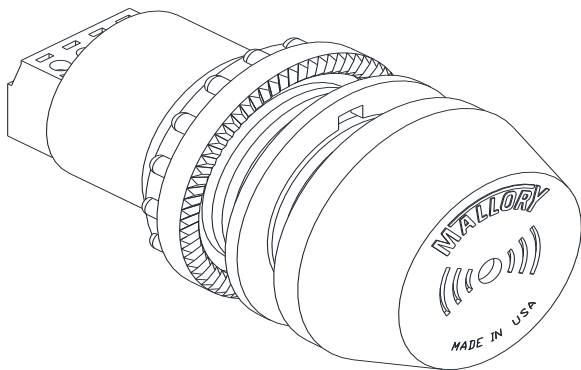
ROHS Compliant

PATENT NUMBER

9165440

9576442

L- and S- are internally connected and only one must be connected.



Mouser Electronics

Authorized Distributor

Click to View Pricing, Inventory, Delivery & Lifecycle Information:

[Mallory Sonalert:](#)

[ZT028LDIC1G](#)