



**Mallory Sonalert Products, Inc.**

Part #: **ZT028LAIC2R**

# Sales Outline Drawing

Revision: **E**

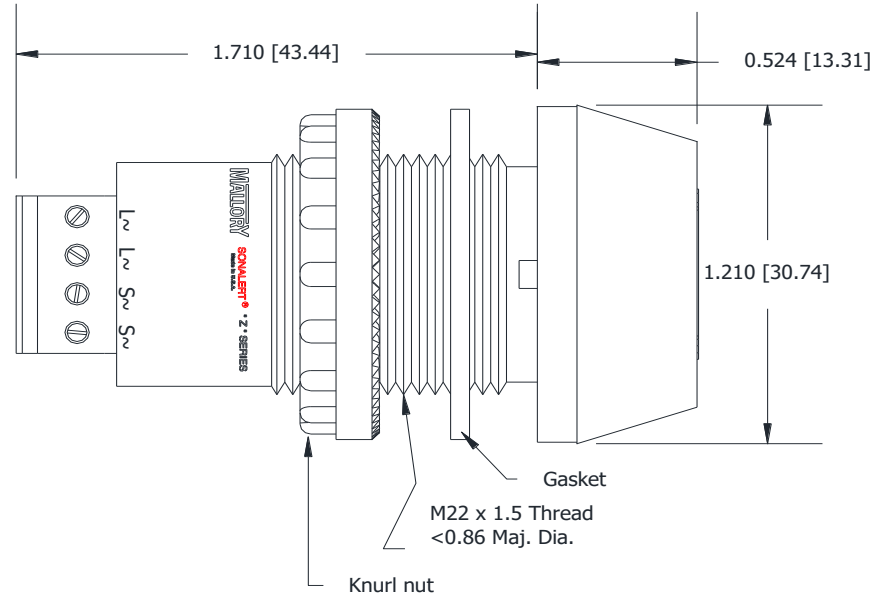
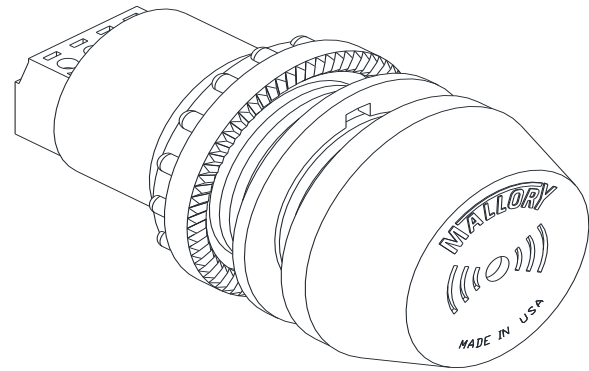
Specifications:	INDIVIDUAL CONTROL OF LIGHT AND SOUND	
Function	LIGHT	SOUND
Sound Level Category	N/A	Loud
Mode of Operation	Continuous	Fast Pulse @ 10 PPS
Lens Color	Opaque White	N/A
LED Color	RED	N/A
Rated Voltage	24 VAC/DC	24 VAC/DC
Voltage Range	20 to 28 VAC/DC	20 to 28 VAC/DC
Power Connection	L~ to ~VAC/DC	S~ to ~VAC/DC
Current Draw	25mA MAX	25mA MAX
Frequency	N/A	3900 ± 500 Hz
Loudness @ 2 FT	N/A	85 to 95 dB(A) Typ.
Housing Material	6/6 Nylon, Color: Black	
Front Cap Material	6/6 Nylon, Color: Opaque White	
Storage Temperature	-40° to +80° C	
Operating Temperature	-30° to +65° C	
Panel Mounting	Recommended hole size is 22.5 mm. Thread front will fit standard 22.5mm hole.	
Knurled Nut	Used to attach part to panel. The max recommended torque is 10 in-lbs.	
Weight (Typical)	28 g	
NEMA 3R, 4X, & 12	Approved with use of included gasket.	
Options	Please contact factory.	

## Dimensions: Inches (mm)

**cUL Recognized**

**ROHS Compliant**

PATENT NUMBER 9165440  
9576442



# Mouser Electronics

Authorized Distributor

Click to View Pricing, Inventory, Delivery & Lifecycle Information:

[Mallory Sonalert:](#)

[ZT028LAIC2R](#)