



**Mallory Sonalert Products, Inc.**

Part #:

**SNP428**

**Sales Outline Drawing**

Revision:

**C**

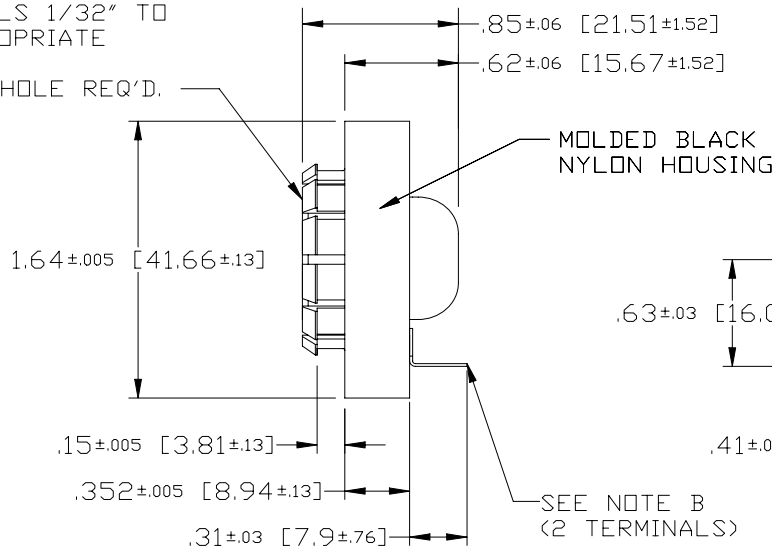
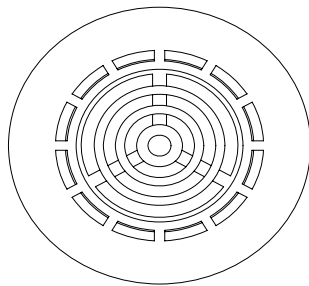
**Specifications:**

|                       |  |
|-----------------------|--|
| Sound Level Category  | Medium   |
| Mode of Operation     | Continuous   |
| Voltage Rating        | 4 to 28 VDC  |
| Frequency             | 2900 ± 500 Hz  |
| Loudness @ 2 FT       | 69 to 83 Typ.  |
| Current Draw          | 3-18 mA  |
| Housing Material      | 6/6 Nylon, Color: Black  |
| Storage Temperature   | -40° to +85° C   |
| Operating Temperature | -30° to +65° C   |
| Panel Mounting        | Recommended hole size is 1.25"(31.75mm). Thread front will fit standard 30mm(1.181") hole. |
| Weight (Typical)      | 0.5 oz (17g)   |
| Options               | Please contact factory.  |

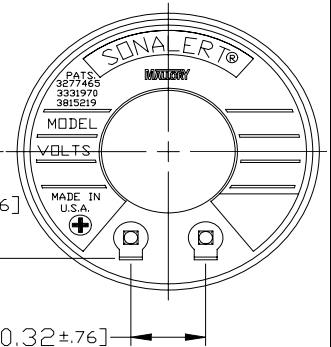
**Dimensions:** Inches (mm)

**cUL Recognized**

NOTE A:  
MOUNTING - THIS PORTION  
SNAP-LOCKS INTO PANELS 1/32" TO  
1/8" THICK USING APPROPRIATE  
COMPRESSION WASHER.  
1.063 ±.005 DIA. PANEL HOLE REQ'D.



MOLDED BLACK NYLON HOUSING



SEE NOTE B  
(2 TERMINALS)

NOTE B:  
TERMINALS - .016 BRASS, HOT TIN FINISH WITH  
.076 WIRE HOLE. TERMINAL WILL ACCEPT  
STANDARD 1/8" QUICK CONNECT

# Mouser Electronics

Authorized Distributor

Click to View Pricing, Inventory, Delivery & Lifecycle Information:

[Mallory Sonalert:](#)

[SNP428](#)