

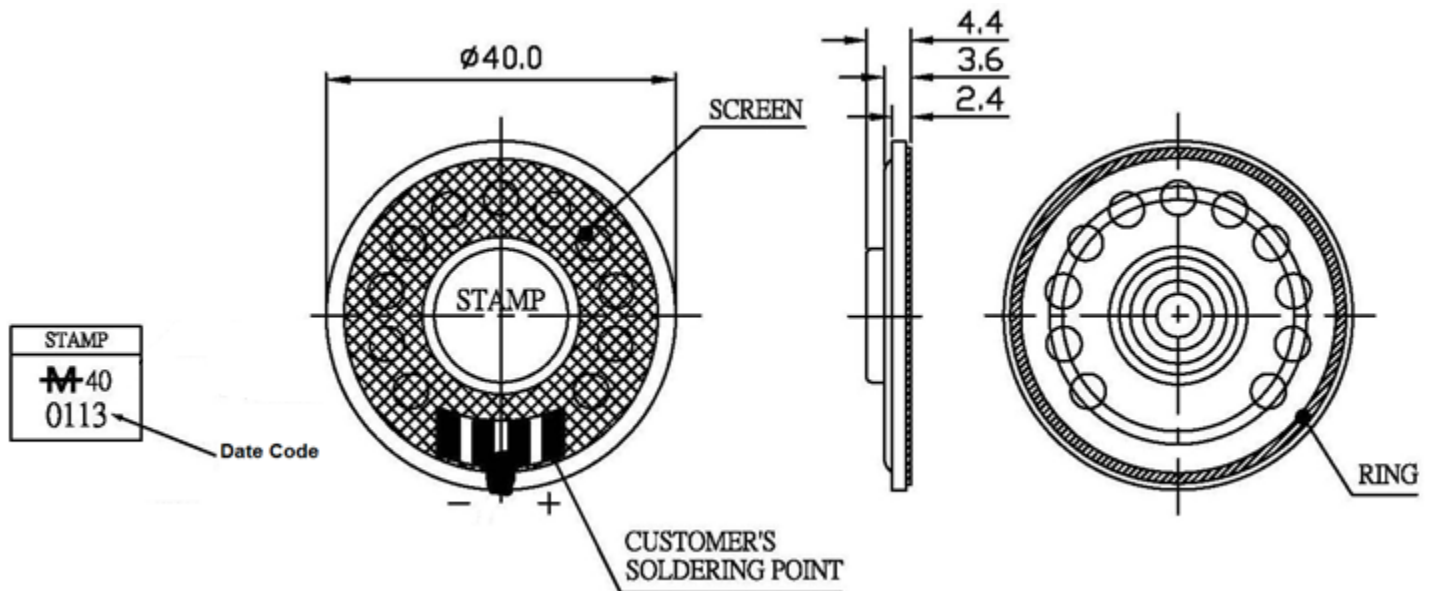
**May not be suitable for all medical and aerospace applications.**

**Specifications: Contact Mallory Sonalert to discuss your application.**

Impedance ( $\Omega$ )	$8 \pm 15\%$ at 1000 Hz at 1.0 V
Rated Power (W)	1.0
Max Power (W)	2.0
Resonance Freq $F_o$ (Hz)	$560 \pm 20\%$ at 1.0V
Frequency Range (Hz)	$F_o \sim 6000$
Output S.P.L. (dB)	$102 \pm 3$ at 1w/1m 1.0k, 1.2k, 1.5k, 2.0kHz $83 \pm 3$ at 1w/1m 1.0k, 1.2k, 1.5k, 2.0kHz
Magnet Size (mm)	$\varnothing 12.5 \times 1.5$
Magnet	Nd-Fe-B
Frame Material	Metal
Operating Temp	-20 to 55°C
Weight (g)	8.0
Options	For other options contact factory

**Dimensions:  $\pm 0.3$**  (units: mm)

**ROHS Compliant**



# Mouser Electronics

Authorized Distributor

Click to View Pricing, Inventory, Delivery & Lifecycle Information:

[Mallory Sonalert:](#)

[PSR40N08AK](#)