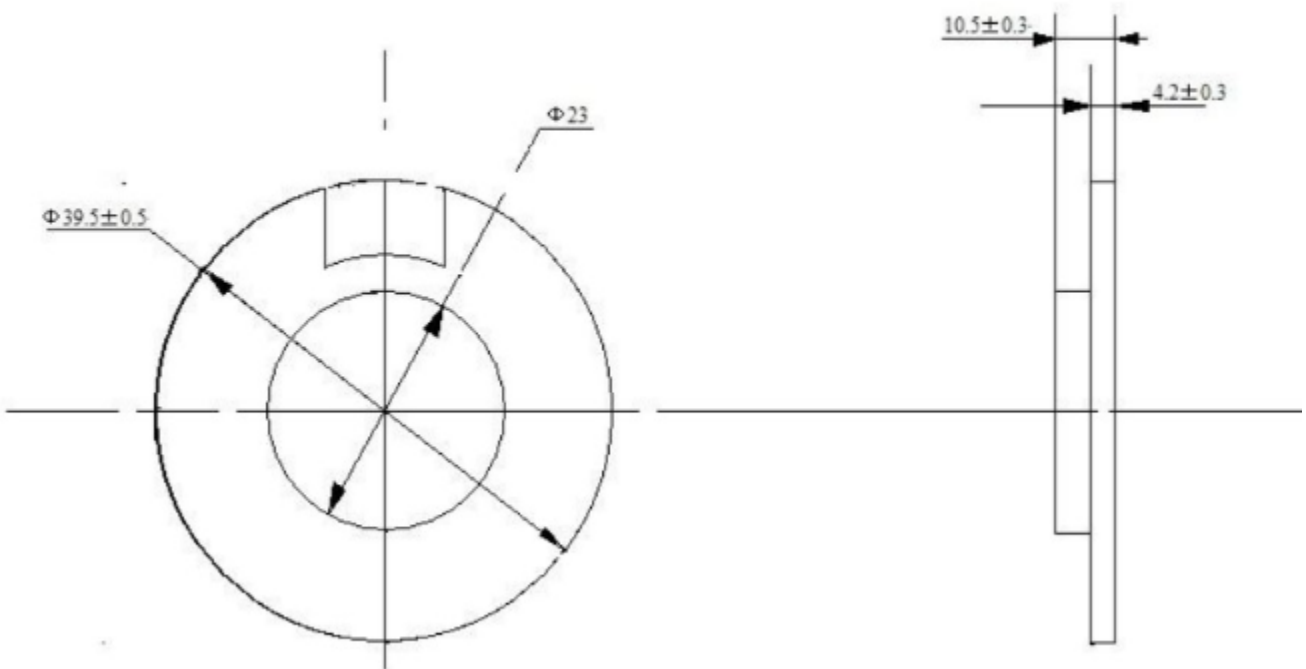


Sales Outline DrawingRevision **B****May not be suitable for all medical and aerospace applications.****Specifications: Contact Mallery Sonalert to discuss your application.**

Voice Coil Impedance (Ω)	$8 \pm 15\%$ at 2000 Hz / 1.0 V
Rated Input (W)	0.25
Max. Input (W)	0.50
Lowest Resonance Freq Fo (Hz)	$1000 \pm 20\%$
Frequency Range (Hz)	Fo ~ 450
Output S.P.L. (dB)	82 ± 3 at 0.25W 0.1m1k,1.2k,1.5k,2.0kHZ 68 ± 3 at 1W 1M 1k, 1.2k, 1.5, 2.0 kHz
Operation / Storage Temp	-25 to 50°C / -25 to 55°C
Weight (g)	12.0
Housing Color	Green
Options	For other options contact factory

Dimensions: (units: mm)**ROHS Compliant****Tolerance: ± 0.5 mm**

Mouser Electronics

Authorized Distributor

Click to View Pricing, Inventory, Delivery & Lifecycle Information:

[Mallory Sonalert:](#)

[PSR-40F08S01-YHQ](#)