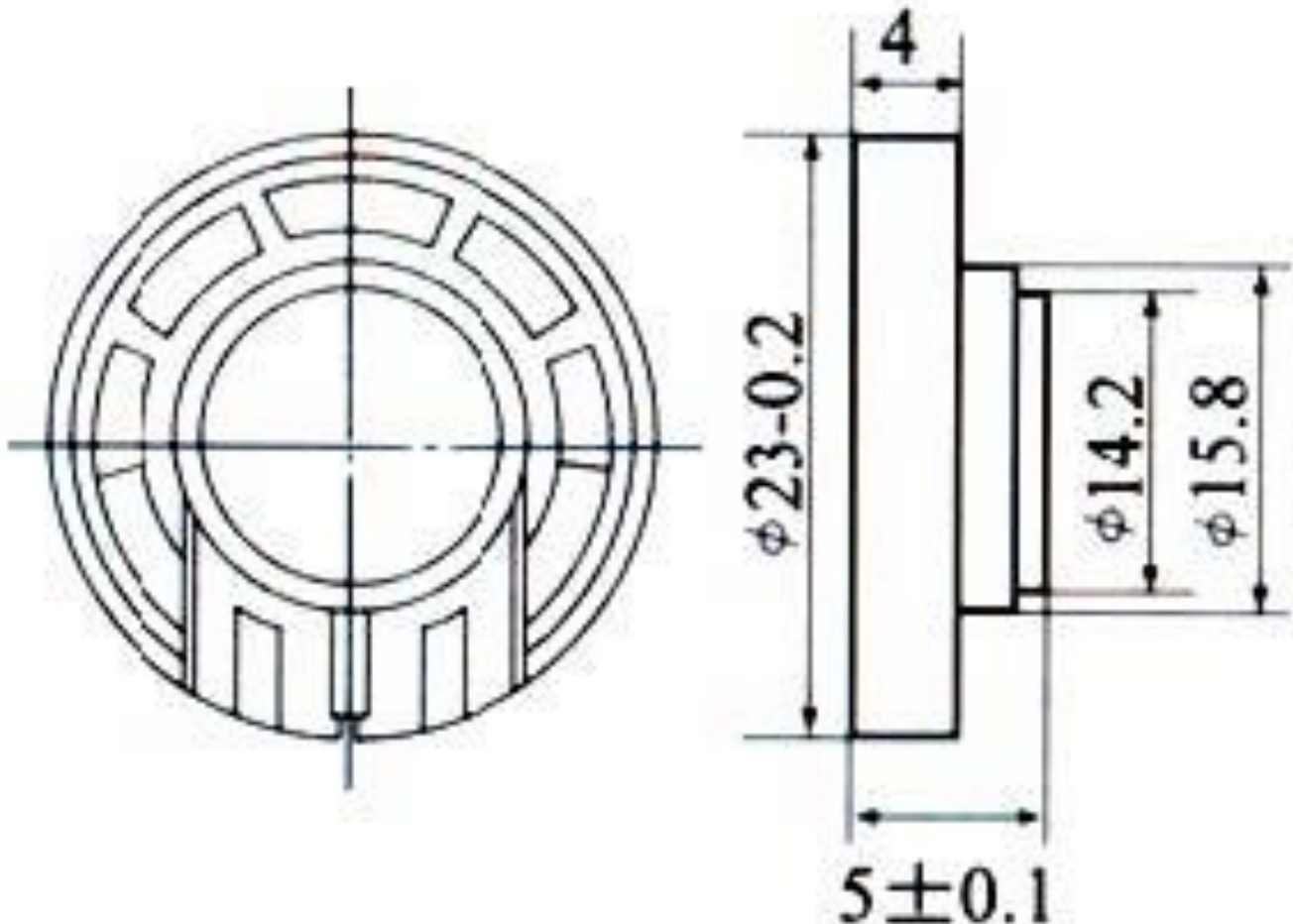


Sales Outline DrawingRevision **C****Specifications:**

Voice Coil Impedance (Ω)	$8 \pm 15\%$ at 800 Hz / 1.0 V
Rated Input (W)	0.25
Max. Input (W)	0.30
Lowest Resonance Freq F_o (Hz)	$900 \pm 20\%$
Frequency Range (Hz)	$F_o \sim 6500$
Output S.P.L. (dB)	81 ± 3 at 1W 1M .8k, 1k, 1.2k, 1.5kHz
Magnet Size (mm)	$\varnothing 16.0 * 1.9$
Magnet	Ferrite
Core Material Mylar	Transparent
Frame Material	Plastic
Operation / Storage Temp	-25 to 50°C
Weight	3.8g
Options	For other options contact factory

Dimensions: (units: mm)**ROHS Compliant**

Mouser Electronics

Authorized Distributor

Click to View Pricing, Inventory, Delivery & Lifecycle Information:

[Mallory Sonalert:](#)

[PSR-23F08S-JQ](#)