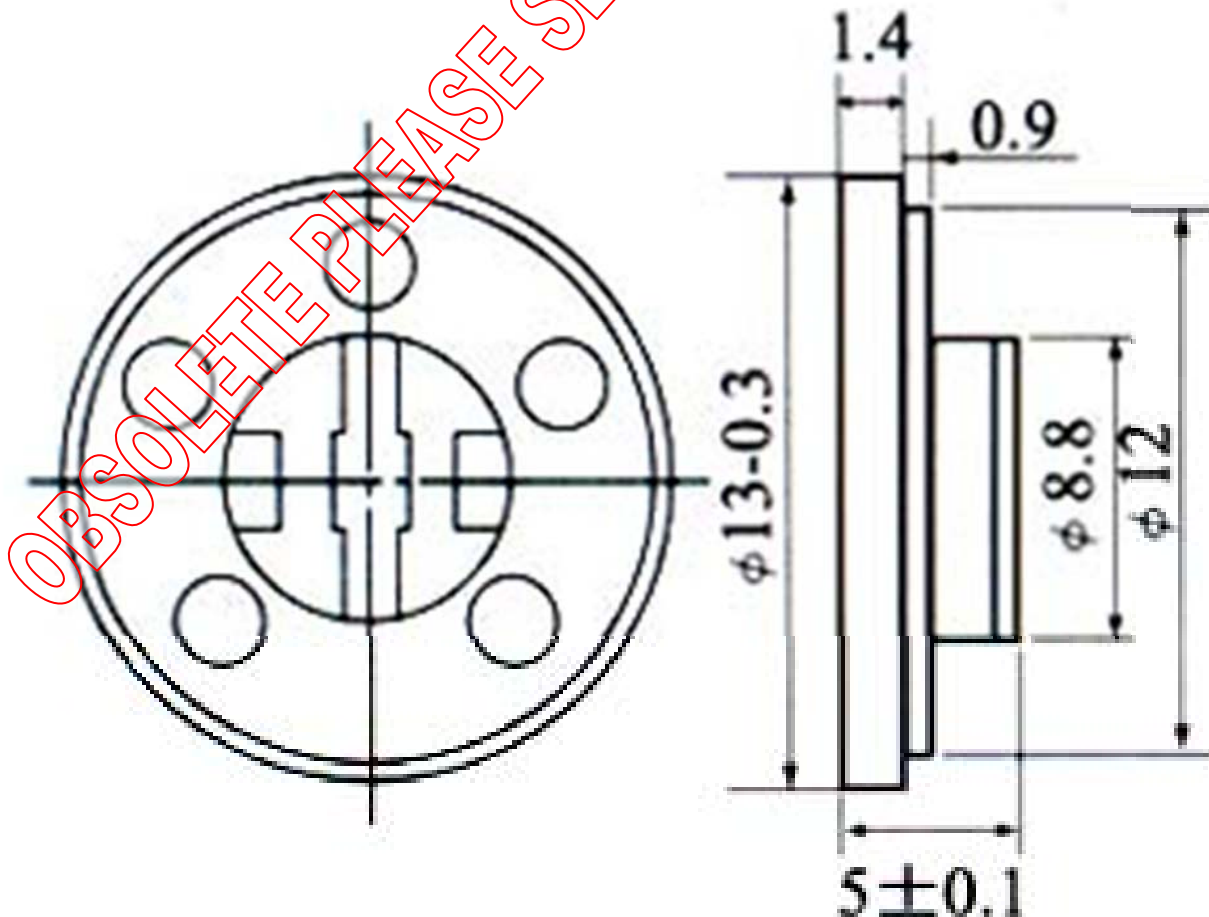


Sales Outline DrawingRevision **C**

Voice Coil Impedance (Ω)	$8 \pm 15\%$ at 800 Hz / 1.0 V
Rated Input (W)	0.25
Max. Input (W)	0.30
Lowest Resonance Freq Fo (Hz)	$1800 \pm 20\%$
Frequency Range (Hz)	Fo ~ 7000
Output S.P.L. (dB)	75 ± 3 at 1W 1M .8k 1k 1.2k, 1.5kHz
Magnet Size (mm)	$\varnothing 6.5 \pm .5$
Magnet	Ferrite
Core Material	Mylar
Frame Material	Metal
Operating / Storage Temp	-25 to 50°C
Weight	1.2g
Options	For other options contact factory

Dimensions: (units: mm)**ROHS Compliant**

Mouser Electronics

Authorized Distributor

Click to View Pricing, Inventory, Delivery & Lifecycle Information:

[Mallory Sonalert:](#)

[PSR-13N08A-JQ](#)