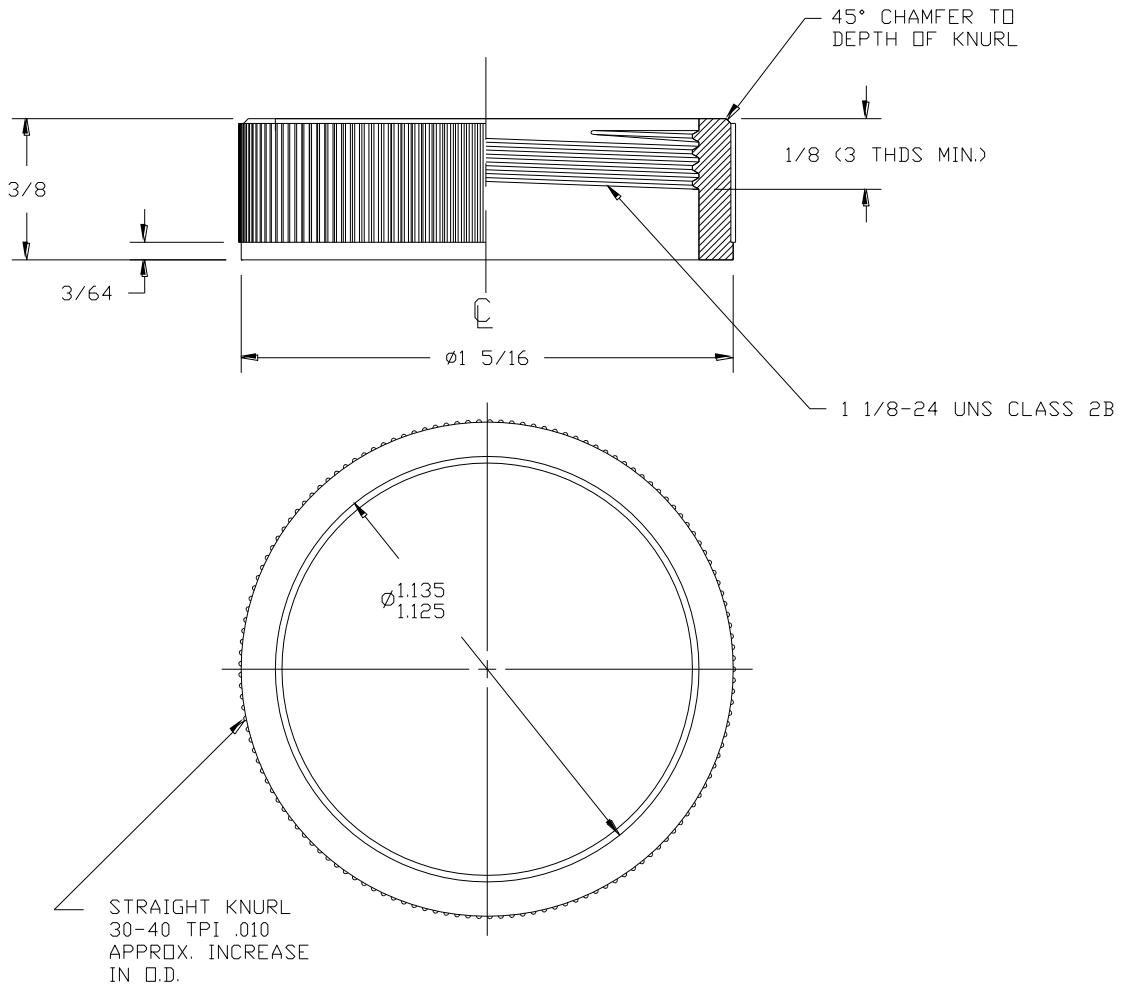


Sonalert® Mounting Nuts

CATALOG PART NUMBER	MATERIAL/FINISH
BNR1	Anodized Black Aluminum
CNR1	Anodized Clear Aluminum
PNR1	Black Plastic (Nylon 6/6)



Start threads first or last depending on the panel thickness.
 Thick panels – 1/8” – 1/4” – Threads first.
 Thin panels – 1/16” or less – Threads last.
 Nut must be oriented correctly so threads engage securely.

Mouser Electronics

Authorized Distributor

Click to View Pricing, Inventory, Delivery & Lifecycle Information:

[Mallory Sonalert:](#)

[PNR1](#)