

**May not be suitable for all Medical and Aerospace applications.  
Contact Mallory Sonalert to discuss your application.**

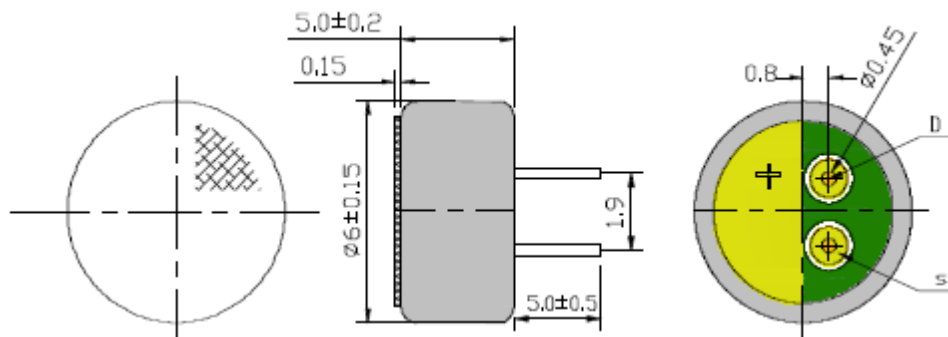
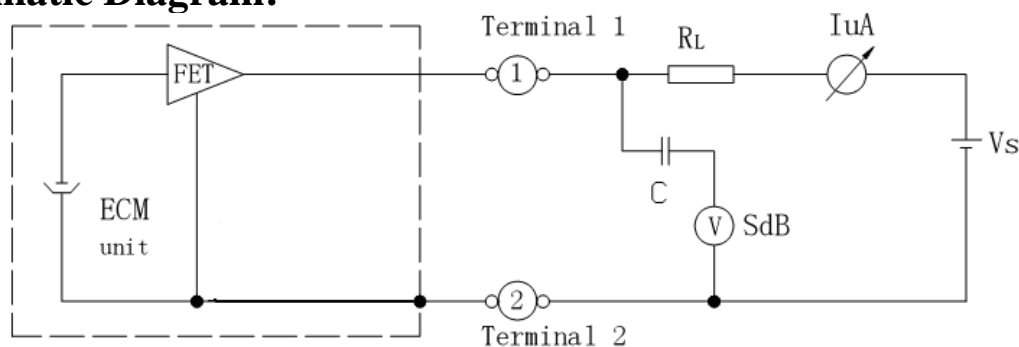
Sensitivity Range	$-36 \pm 2$ dB $R_L = 2.2$ k $\Omega$ $V_{cc} = 2.0$ v (1 kHz 0 dB = 1 v/Pa)
Impedance	Max. 2.2k $\Omega$ 1 kHz ( $R_L = 2.2$ k $\Omega$ )
Frequency	100 - 10000 Hz
Current Consumption	Max 0.5 mA
Operating Voltage Range	1.0 – 10 V
Max SPL (dB)	115 dB
S/N Ratio	More than 56 dB
Sensitivity Reduction	4.5 –3.0V Variation less than 3 dB
Storage Condition	-40 ~ +70°C; R.H. < 90%
Operating Condition	-20 ~ +60°C; R.H. <90%
Weight (g)	0.5

Soldering

All soldering procedures must be completed in a metallic device, with soldering iron limited as  $310^\circ \pm 20^\circ\text{C}$ . All fixtures and irons must be statically grounded under each soldering process.

Options

For other options contact factory

**Dimensions:** (units: mm)**ROHS Compliant****Schematic Diagram:** $R_L=2.2\text{k}\Omega, V_s=4.5\text{V}$ **Packaging:** Bulk pack in quantities of 100pcs.

# Mouser Electronics

Authorized Distributor

Click to View Pricing, Inventory, Delivery & Lifecycle Information:

[Mallory Sonalert:](#)

[PMOF-6050PA-36KDQ](#)