

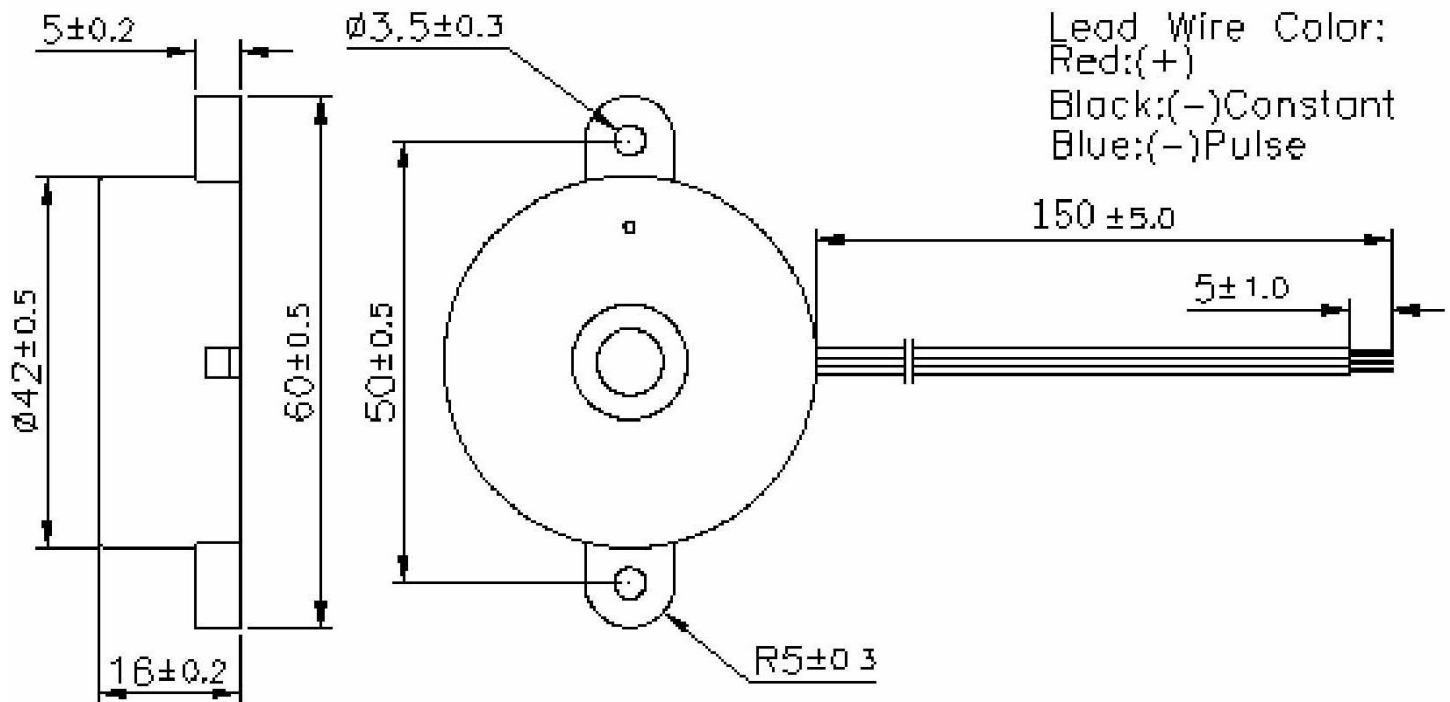
May not be suitable for all medical and aerospace applications.

Specifications: Contact Mallory Sonalert to discuss your application.

Oscillation Frequency (Hz)	2900 ± 500
Operating Voltage (VDC)	3 ~ 28
Rated Voltage (VDC)	12
Current Consumption Max. (mA)	8 at Rated Voltage
Sound Pressure Level Min. (dB)	90 at 30cm at Rated Voltage
Tone / Pulse Rate (Hz)	Constant + Fast Pulse 3.0 ±20%
Operating Temperature (°C)	-20 ~ +70
Storage Temperature (°C)	-30 ~ +80
Housing	ABS 777D plastic resin (Color : Black)
Leading Wire	28 AWG
Weight (Grams)	15
Options	For other options contact factory

Dimensions: (units: mm)

ROHS Compliant



Mouser Electronics

Authorized Distributor

Click to View Pricing, Inventory, Delivery & Lifecycle Information:

[Mallory Sonalert:](#)

[PFD-35N29WQ](#)