



Mallory Sonalert Products, Inc.

Part #: **MSS5VLMSP**

Sales Outline Drawing

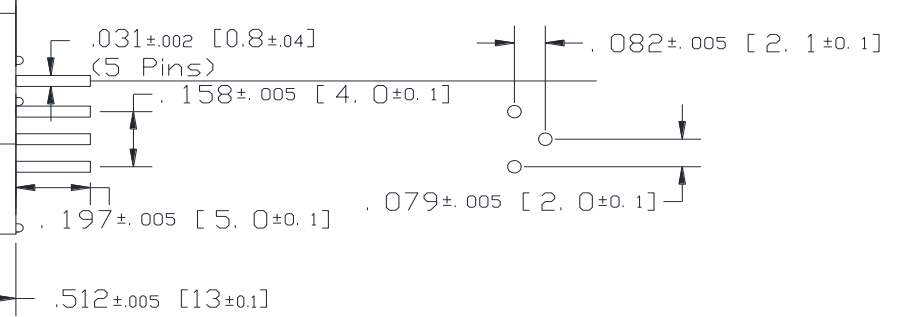
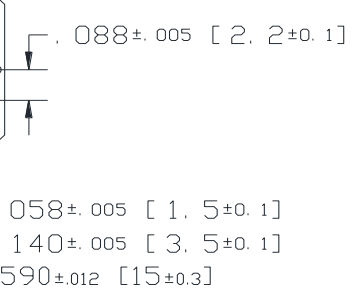
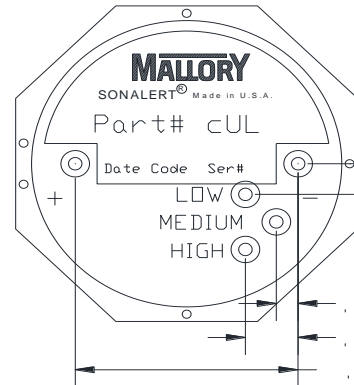
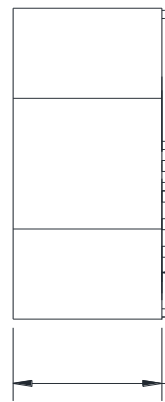
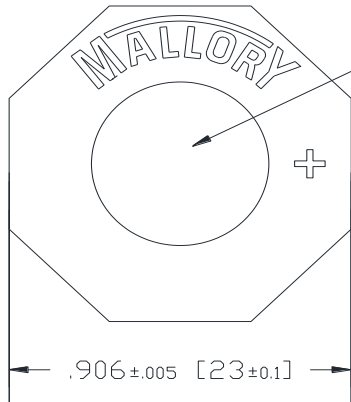
Revision: **B**

| Specifications: | | cUL Recognized to IEC60601-1-8 Ventilation Melody | | | |
|------------------------|---|---|--|--|------|
| | | Silent | Loud | Loud | Loud |
| Sound Level Category: | Silent | Loud | Loud | Loud | |
| Mode of Operation: | Silent | Low Priority Alarm - 2 beeps repeating every 30 sec | Medium Priority Alarm - 3 beeps repeating every 7.5 sec | Slow Pulse @ 1PPS | |
| Loudness @ 10cm: | Silent | 85 to 95 dB(A) Typ. | 85 to 95 dB(A) Typ. | 85 to 95 dB(A) Typ. | |
| Frequency: | Silent | 150 to 4000 Hz | 150 to 4000 Hz | 2500 ± 300Hz | |
| Connection: | Connect "+" to "+" & "-" to "-" of Power Supply | Connect "+" to "+" & "-" & Low to "-" of Power Supply | Connect "+" to "+" & "-" & Medium to "-" of Power Supply | Connect "+" to "+" & "-" & High to "-" of Power Supply | |
| Voltage Rating: | 5 ± 0.5 VDC | | | | |
| Average Current Draw: | <20mA Typ. | <45mA Typ. | <70mA Typ. | <225mA Typ. | |
| Ipk Current*: | 400mA | | | | |
| Housing Material: | Valox (UL94V-0), Octagonal, Black | | | | |
| Storage Temperature: | -30° to +60° C | | | | |
| Operating Temperature: | -30° to +55° C | | | | |
| Weight Typical: | 6.0g | | | | |
| Options: | Please contact factory. | | | | |

Dimensions: Inches [mm]

cUL Recognized

ROHS Compliant



NOTE A:
TERMINALS - .031" DIA. NICKEL/TIN COATED BRASS.

NOTE B:
MOUNTING- INSERT INTO PRINTED CIRCUIT BOARD AND HAND OR MACHINE SOLDER.
UNITS ARE SUITABLE FOR WAVE SOLDERING. BOARDS ARE NOT SUITABLE FOR WASH.
RECOMMENDED MAXIMUM TEMPERATURE AND TIME DURATION FOR WAVE SOLDERING IS
+270°C AND 3 SECONDS RESPECTIVELY.

*Ipk = Instantaneous Peak

Mouser Electronics

Authorized Distributor

Click to View Pricing, Inventory, Delivery & Lifecycle Information:

[Mallory Sonalert:](#)

[MSS5VLMSP](#)