



Mallory Sonalert Products, Inc.

Part #: **MSS5CLMSP**

Sales Outline Drawing

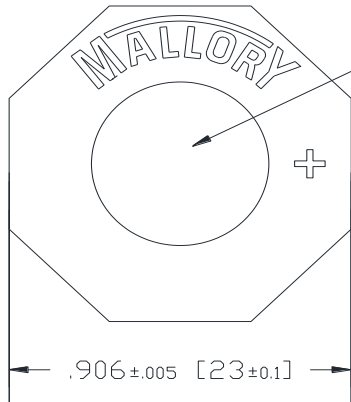
Revision: **B**

Specifications:		cUL Recognized to IEC60601-1-8 Cardiac Melody			
		Silent	Loud	Loud	Loud
Sound Level Category:	Silent	Loud	Loud	Loud	
Mode of Operation:	Silent	Low Priority Alarm - 2 beeps repeating every 30 sec	Medium Priority Alarm - 3 beeps repeating every 7.5 sec	Slow Pulse @ 1PPS	
Loudness @ 10cm:	Silent	85 to 95 dB(A) Typ.	85 to 95 dB(A) Typ.	85 to 95 dB(A) Typ.	
Frequency:	Silent	150 to 4000 Hz	150 to 4000 Hz	2500 ± 300Hz	
Connection:	Connect "+" to "+" & "-" to "-" of Power Supply	Connect "+" to "+" & "-" & Low to "-" of Power Supply	Connect "+" to "+" & "-" & Medium to "-" of Power Supply	Connect "+" to "+" & "-" & High to "-" of Power Supply	
Voltage Rating:	5 ± 0.5 VDC				
Average Current Draw:	<20mA Typ.	<45mA Typ.	<70mA Typ.	<225mA Typ.	
Ipk Current*:	400mA				
Housing Material:	Valox (UL94V-0), Octagonal, Black				
Storage Temperature:	-30° to +60° C				
Operating Temperature:	-30° to +55° C				
Weight Typical:	6.0g				
Options:	Please contact factory.				

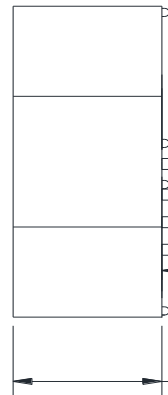
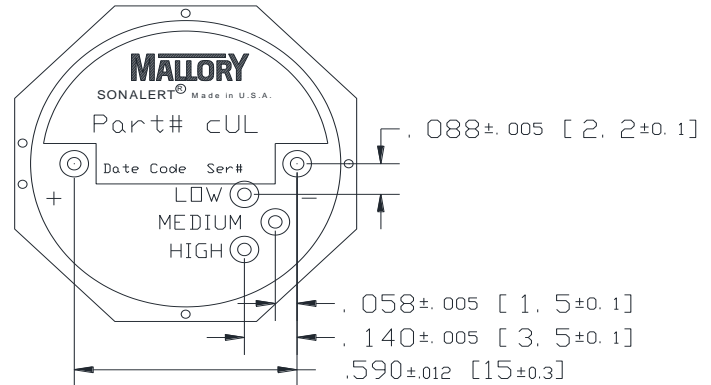
Dimensions: Inches [mm]

cUL Recognized

ROHS Compliant



EMISSION HOLE



NOTE A: TERMINALS - .031" DIA. NICKEL/TIN COATED BRASS.

NOTE B: MOUNTING- INSERT INTO PRINTED CIRCUIT BOARD AND HAND OR MACHINE SOLDER. UNITS ARE SUITABLE FOR WAVE SOLDERING. BOARDS ARE NOT SUITABLE FOR WASH. RECOMMENDED MAXIMUM TEMPERATURE AND TIME DURATION FOR WAVE SOLDERING IS +270°C AND 3 SECONDS RESPECTIVELY.

*Ipk = Instantaneous Peak

Mouser Electronics

Authorized Distributor

Click to View Pricing, Inventory, Delivery & Lifecycle Information:

[Mallory Sonalert:](#)

[MSS5CLMSP](#)