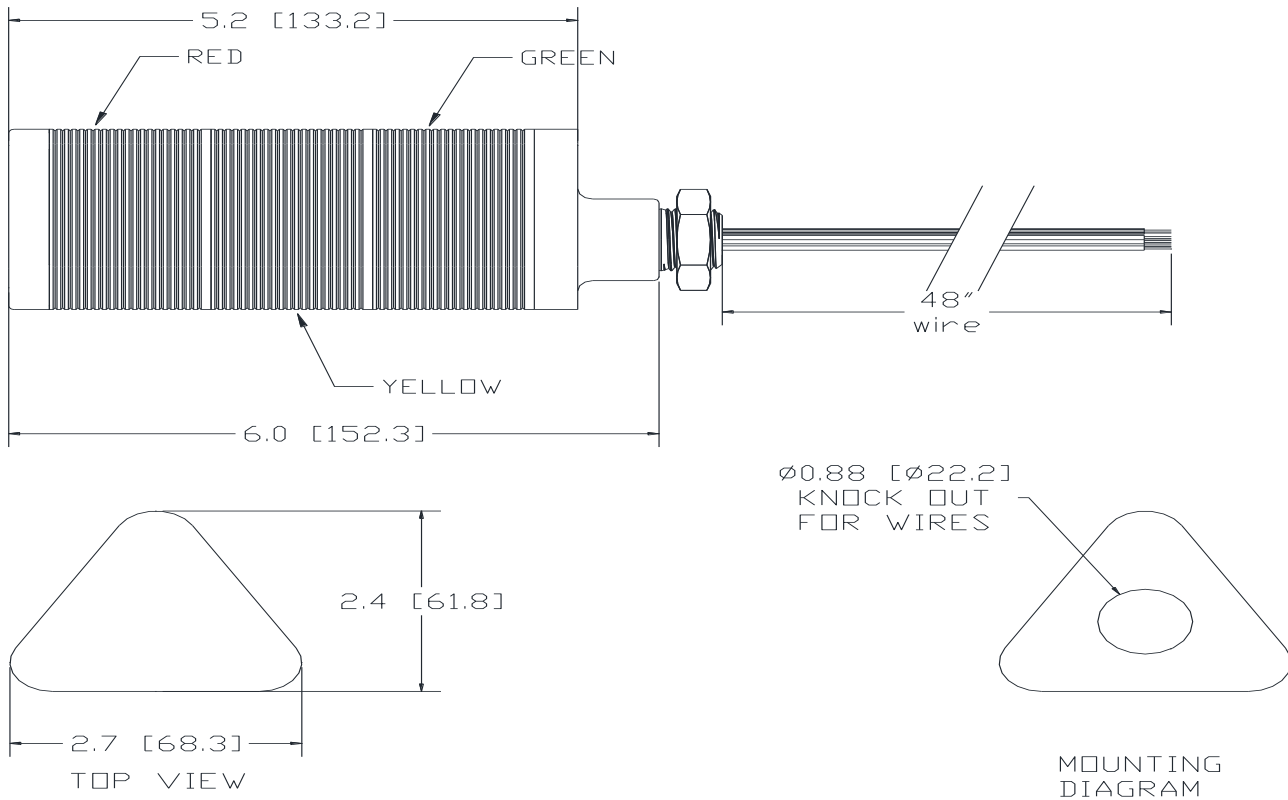


**Specifications:**

Stack Number:	1	2	3		
LED Color:	RED	YELLOW	GREEN		
Connection Wires:	Red and Brown	Yellow and Brown	Green and Brown		
LED Current Draw:	<210 mA	<230 mA	<190 mA		
Rated Voltage:	120 VAC				
Operating Voltage:	90-120 VAC				
Total Max Current:	<630mA				
Operating Temperature:	-25° ~ +60°C				
Lens Color:	Opaque White				
Material:	ABS FR15U				
Mounting Method:	Direct Mount using 1/2" NPT Stainless Steel Pipe and Nut				
Weight Typical (g):	255				
NEMA 12:	Approved				
Options:	Please contact factory.				

**Dimensions:** Inches (mm) **cUL Recognized** **ROHS Compliant**

PATENT NUMBER 10309594



**LED OPERATION:** CONNECT STACK COLOR WIRE TO POWER AND BROWN WIRE TO POWER.

# Mouser Electronics

Authorized Distributor

Click to View Pricing, Inventory, Delivery & Lifecycle Information:

[Mallory Sonalert:](#)

[JT120-RYG-CD](#)