

### Features

- LO 2 TO 18 GHz
- RF 2 TO 18 GHz
- IF 1 TO 8 GHz
- LO DRIVE: +13 dBm (NOMINAL)
- WIDE BANDWIDTH

### Description

MY88 is a triple balanced mixer, designed for use in military, commercial and test equipment applications. The design utilizes Schottky ring quad diodes and broadband soft dielectric baluns to attain excellent performance. The use of high temperature solder assembly processes used internally makes it ideal for use in manual, semi-automated assembly. Environmental screening available to MIL-STD-883, MIL-STD-202 or MIL-DTL-28837, consult factory.

### Product Image



### Ordering Information

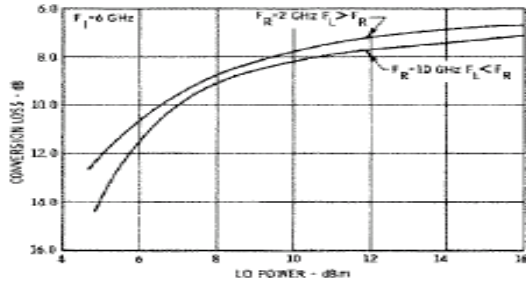
| Part Number | Package           |
|-------------|-------------------|
| MY88        | Versapac          |
| MY88C       | SMA Connectorized |

### Electrical Specifications: $Z_0 = 50\Omega$ $Lo = +13$ dBm (Downconverter Application only)

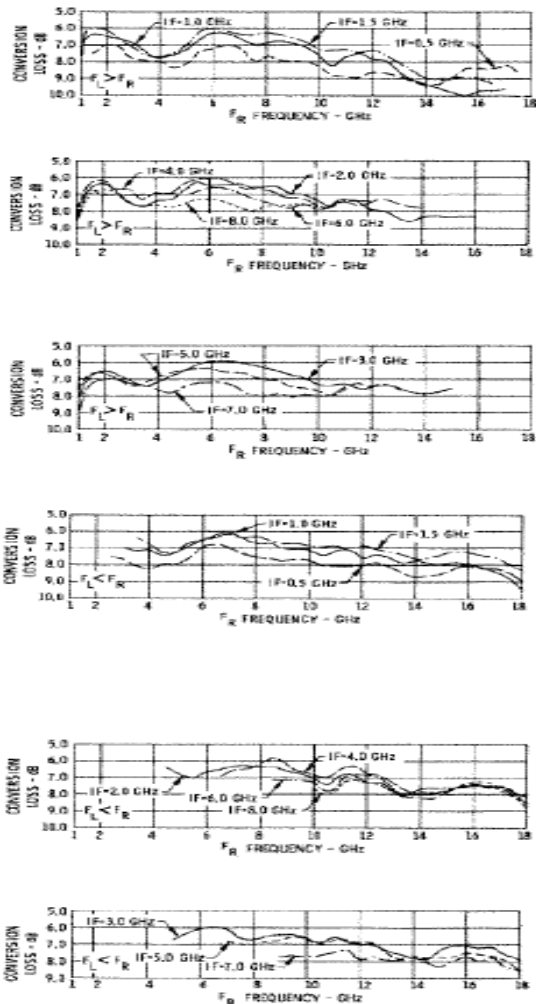
| Parameter  | Test Conditions  | Units | Typical | Guaranteed |               |
|--|--|-------|---------|------------|---------------|
|  |  |       |         | +25°C      | -54° to +85°C |
| SSB Conversion Loss (max) & SSB Noise Figure (max) | fR = 2 to 10 GHz, fL = 2 to 18 GHz, fI = 1 to 8 GHz<br>fR = 10 to 18 GHz, fL = 10 to 18 GHz, fI = 2 to 8 GHz<br>fR = 10 to 18 GHz, fL = 2 to 10 GHz, fI = 2 to 8 GHz | dB    | 7.5     | 10.0       | 10.5          |
|  |  |       | 8.0     | 10.5       | 11.0          |
|  |  |       | 8.0     | 11.0       | 11.5          |
| Isolation, L to R (min)                            | fL = 2 to 18 GHz   | dB    | 28      | 15         | 13            |
| Isolation, L to I (min)                            | fL = 2 to 18 GHz   | dB    | 32      | 16         | 14            |
| 1 dB Conversion Comp.                              | fL = +13 dBm   | dBm   | +7      |            |               |
| Input IP3  | fR1 = 6 GHz at -3 dBm, fR2 = 6.01 GHz at -3 dBm, fL = 10 GHz at +13 dBm<br>fR1 = 15 GHz at -3 dBm, fR2 = 15.01 GHz at -3 dBm, fL = 18 GHz at +13 dBm                 | dBm   | +18.5   |            |               |
|  |  |       | +22     |            |               |

### Typical Performance Curves

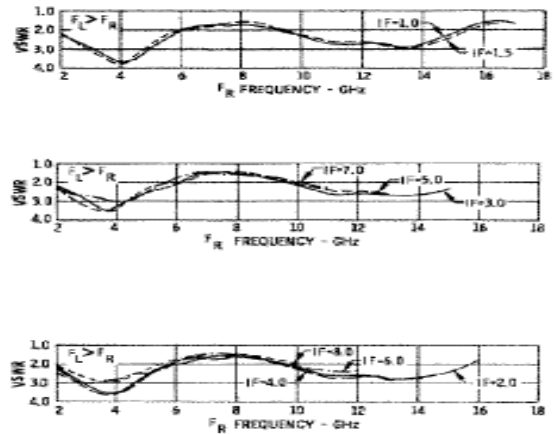
Conversion Loss vs. Drive Power



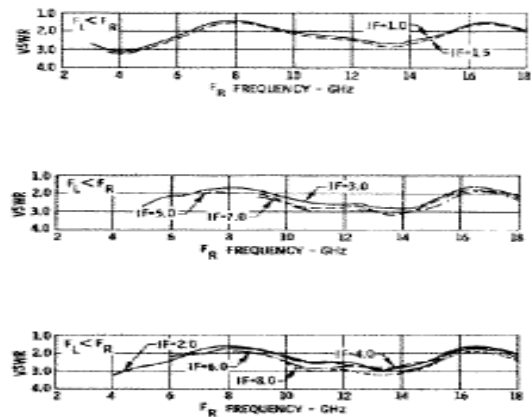
Conversion Loss vs. Frequency, LO @ +13 dBm



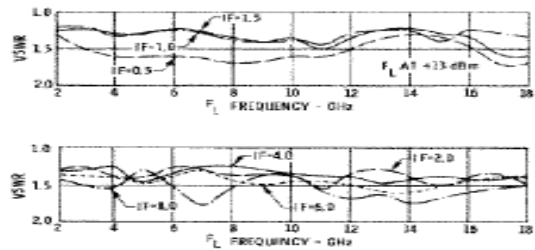
R-Port VSWR LO @ +13 dBm



R-Port VSWR LO @ +13 dBm



I-Port VSWR vs. Frequency LO @ +13 dBm



**ADVANCED:** Data Sheets contain information regarding a product M/A-COM Technology Solutions is considering for development. Performance is based on target specifications, simulated results, and/or prototype measurements. Commitment to develop is not guaranteed.  
**PRELIMINARY:** Data Sheets contain information regarding a product M/A-COM Technology Solutions has under development. Performance is based on engineering tests. Specifications are typical. Mechanical outline has been fixed. Engineering samples and/or test data may be available. Commitment to produce in volume is not guaranteed.

• **North America** Tel: 800.366.2266 • **Europe** Tel: +353.21.244.6400  
 • **India** Tel: +91.80.4155721 • **China** Tel: +86.21.2407.1588  
 Visit [www.macomtech.com](http://www.macomtech.com) for additional data sheets and product information.

M/A-COM Technology Solutions Inc. and its affiliates reserve the right to make changes to the product(s) or information contained herein without notice.

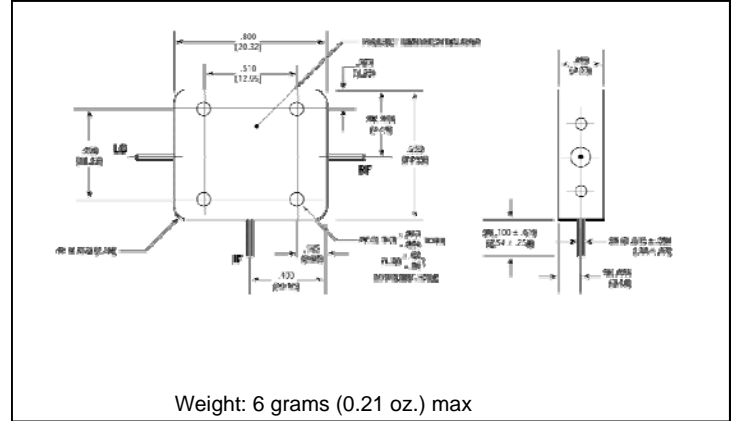
## Triple-Balanced Mixer

Rev. V3

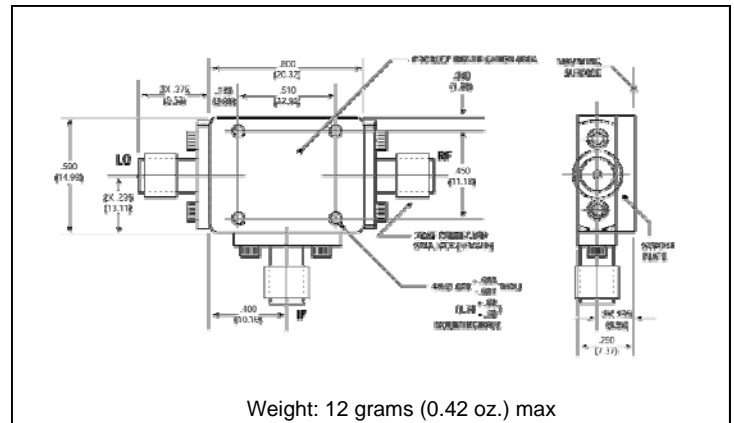
### Absolute Maximum Ratings

| Parameter             | Absolute Maximum                            |
|-----------------------|---|
| Operating Temperature | -54°C to +100°C                             |
| Storage Temperature   | -65°C to +100°C                             |
| Peak Input Power      | +26 dBm max @ +25°C<br>+23 dBm max @ +100°C |
| Peak Input Current    | 100 mA DC                                   |

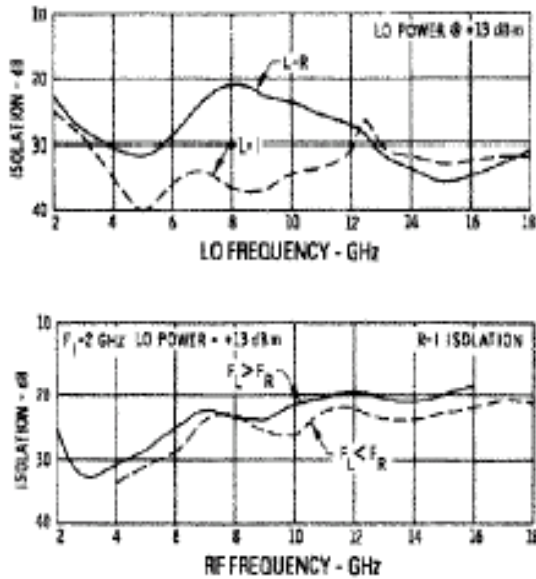
### Outline Drawing: Versapac \*



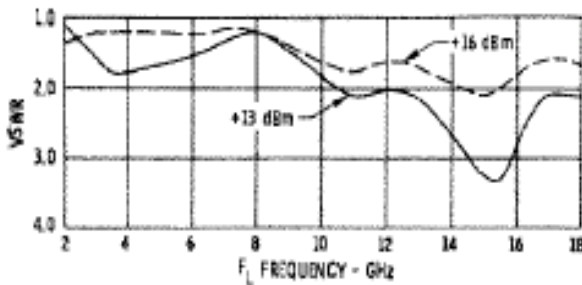
### Outline Drawing: SMA Connectorized \*



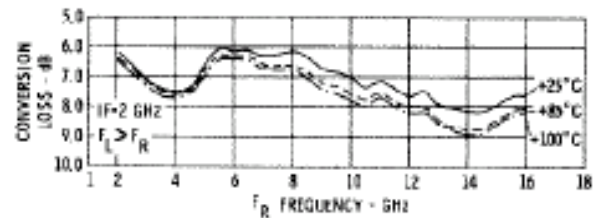
### Isolation vs Frequency



### L-Port VSWR



### Conversion Loss vs. Frequency & Temperature LO @ +13 dBm



\* Dimensions are inches (millimeters) ±0.015 (0.38) unless otherwise specified.

# Mouser Electronics

Authorized Distributor

Click to View Pricing, Inventory, Delivery & Lifecycle Information:

[MACOM:](#)

[MY88C](#)