

Features

- Input Power @ 1 dB Compression: +15 dBm
- High LO to RF Isolation: 35 dB
- LO Drive Level: +3 to +8 dBm
- DC - 200 MHz 3 dB IF Bandwidth
- Does not require DC bias
- Lead-Free SOT-25 Package
- 100% Matte Tin Plating over Copper
- Halogen-Free “Green” Mold Compound
- 260°C Reflow Compatible
- RoHS* Compliant Version of MD54-0005

Description

M/A-COM's MAMXSS0012 is a passive mixer that achieves the performance of a double balanced diode mixer in a lead-free SOT-25 package. The MAMXSS0012 is ideally suited for use where high level RF signals and very wide dynamic range are required. Typical applications include frequency up/down conversion, modulation, and demodulation in receivers and transmitters for base station and portable systems.

The MAMXSS0012 employs GaAs FETs as mixing elements to achieve a very wide dynamic range in a low cost plastic package. The mixer operates with LO drive levels of +3 dBm to +8 dBm. The LO port may be externally tuned for operation in various frequency bands.

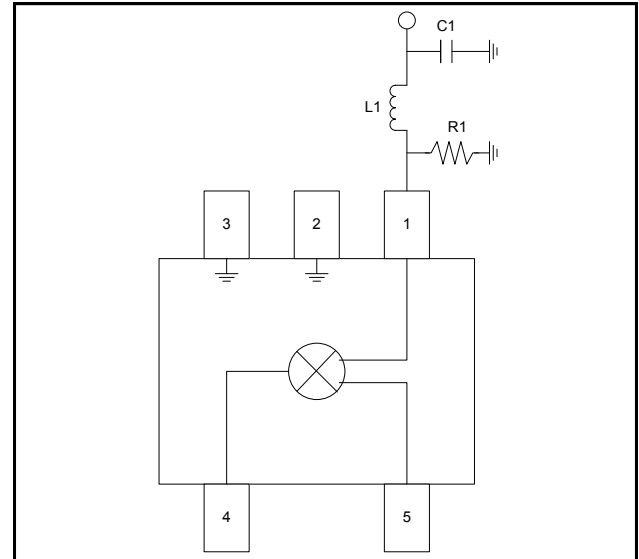
M/A-COM's GaAs IC is fabricated using a mature 0.5 micron gate length GaAs MESFET process. The process features full passivation for increased performance and reliability.

Ordering Information ¹

Part Number	Package
MAMXSS0012	Bulk Packaging
MAMXSS0012TR-3000	3000 piece reel
MAMXSS0012SMB	Designers Kit

1. Reference Application Note M513 for reel size information.

Functional Schematic



Pin Configuration

Pin No.	Function	Pin No.	Function
1	LO	4	RF
2	Ground	5	IF
3	Ground		

External Circuitry Parts List ²

Ref. Designation	LO = 840 MHz	LO = 900 MHz
R1	820 Ohms	820 Ohms
L1	22 nH	18 nH
C1	3.3 pF	4 pF

2. All off-chip components are low-cost surface mount components obtainable from multiple sources (0.060 in. x 0.030 in. or 0.080 in. x 0.050 in.).

* Restrictions on Hazardous Substances, European Union Directive 2002/95/EC.

Low Cost MMIC Mixer 800 - 1000 MHz

Rev. V2

Electrical Specifications: RF=900 MHz (-10 dBm), LO=840 MHz (+5 dBm), IF=60 MHz, T_A = 25°C

Parameter	Test Conditions	Units	Min.	Typ.	Max.
Conversion Loss	—	dB	—	8.0	9.0
Isolation	LO to RF	dB	—	35	—
	LO to IF	dB	—	25	—
	RF to IF	dB	—	20	—
VSWR	RF Port	Ratio	—	2.0:1	—
	LO Port ²	Ratio	—	2.0:1	—
	IF Port	Ratio	—	2.0:1	—
Input 1 dB Compression	RF Freq. = 900 MHz, LO = +5 dBm	dBm	—	15	—
Two-Tone IM Ratio ⁴	Two tones at -10 dBm each, Tone spacing = 100 KHz, IF = 60 MHz	dBc	—	55	—

3. With external LO Port matching. See functional schematic.

4. IMR vs. RF Drive can be calculated by the formula: $IMR = 40 - 1.5 * P_{IN}$

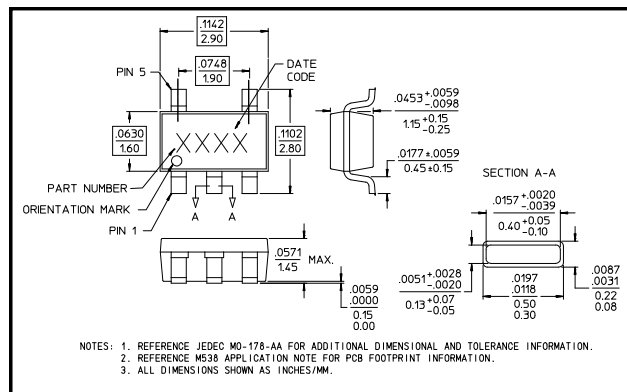
Absolute Maximum Ratings ^{5,6}

Parameter	Absolute Maximum
RF Input Power	+27 dBm
Low Drive Power	+27 dBm
Storage Temperature	-65°C to +150°C
Operating Temperature	-40°C to +85°C

5. Exceeding any one or combination of these limits may cause permanent damage to this device.

6. M/A-COM does not recommend sustained operation near these survivability limits.

Lead-Free SOT-25 Plastic Package †



† Reference Application Note M538 for lead-free solder reflow recommendations.

Spurious Table

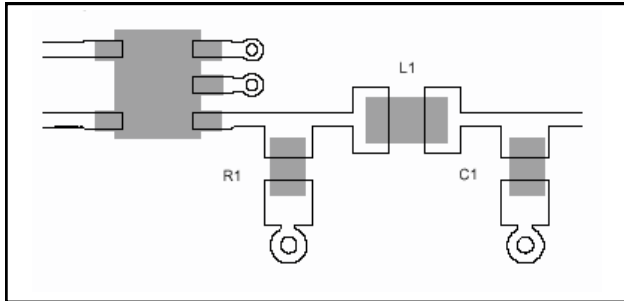
Harmonic of LO	4x	23.0 10.6	36.5 39.9	53.8 56.1	63.8 58.3	68.6 58.8
	3x	34.1 21.3	21.6 21.8	53.9 57.6	53.4 59.3	67.3 57.2
	2x	17.7 6.6	44.0 44.8	51.6 55.5	65.2 58.4	66.2 56.3
	1x	14.3 4.0	0 0	57.0 57.6	63.7 56.3	67.0 56.9
	0x	X X	13.9 13.4	50.2 53.1	59.1 56.5	67.2 57.1
			0x	1x	2x	3x
Harmonic of RF						

The spurious table shows the spurious signals resulting from the mixing of the RF and LO input signals, assuming down conversion. Mixing products are indicated relative to the IF. The lower frequency mixing term is shown for two different RF input levels. The top number is for an RF input power of 0 dBm, the lower number is for -10 dBm.

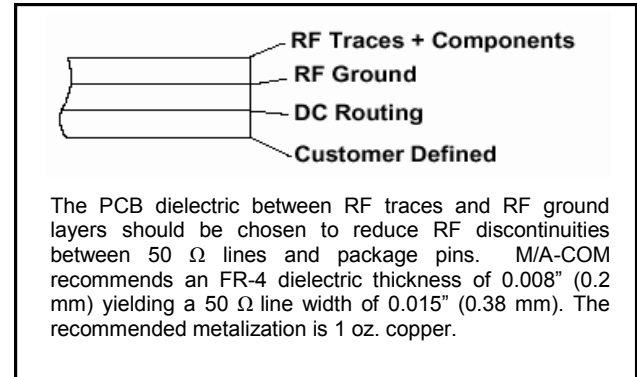
$|nF_{RF} - mF_{LO}|$, RF = 0 dBm
 $|nF_{RF} - mF_{LO}|$, RF = -10 dBm
 RF Frequency = 900 MHz
 LO Frequency = 840 MHz

Recommended PCB Configuration

Layout View



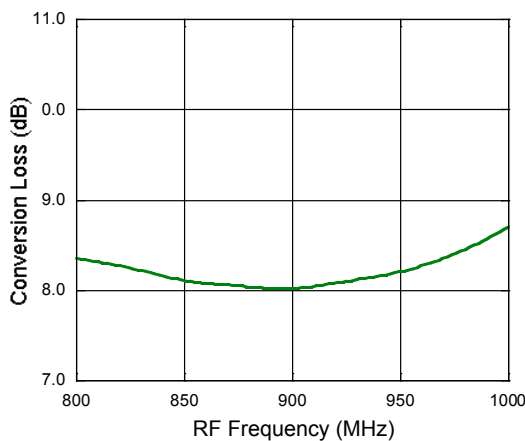
Cross Section View



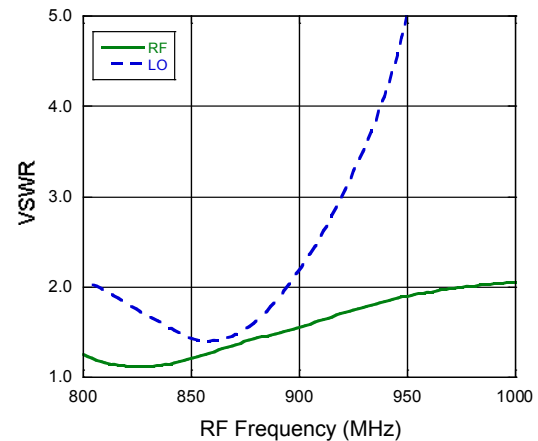
Typical Performance Curves

- **Test Conditions for Down Converter Application:** RF=900 MHz (-10 dBm), IF=60 MHz, LO=840 MHz (+5 dBm), LO Port match shown herein.
- **Test Conditions for Up Converter Application:** LO=840 MHz (+5 dBm), IF=60 MHz (-10 dBm), RF=900 MHz, LO Port match shown herein.

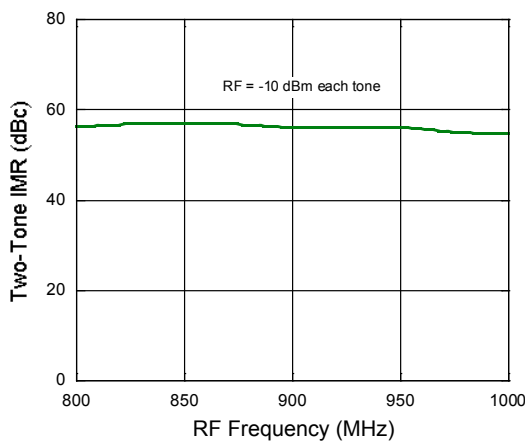
Conversion Loss



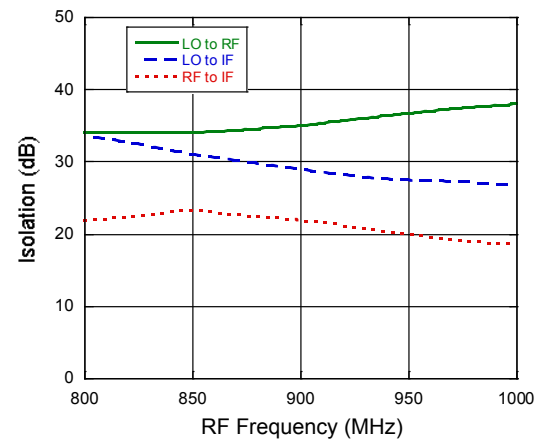
VSWR



Two-Tone IMR



Isolation



M/A-COM Technology Solutions Inc. All rights reserved.

Information in this document is provided in connection with M/A-COM Technology Solutions Inc ("MACOM") products. These materials are provided by MACOM as a service to its customers and may be used for informational purposes only. Except as provided in MACOM's Terms and Conditions of Sale for such products or in any separate agreement related to this document, MACOM assumes no liability whatsoever. MACOM assumes no responsibility for errors or omissions in these materials. MACOM may make changes to specifications and product descriptions at any time, without notice. MACOM makes no commitment to update the information and shall have no responsibility whatsoever for conflicts or incompatibilities arising from future changes to its specifications and product descriptions. No license, express or implied, by estoppel or otherwise, to any intellectual property rights is granted by this document.

THESE MATERIALS ARE PROVIDED "AS IS" WITHOUT WARRANTY OF ANY KIND, EITHER EXPRESS OR IMPLIED, RELATING TO SALE AND/OR USE OF MACOM PRODUCTS INCLUDING LIABILITY OR WARRANTIES RELATING TO FITNESS FOR A PARTICULAR PURPOSE, CONSEQUENTIAL OR INCIDENTAL DAMAGES, MERCHANTABILITY, OR INFRINGEMENT OF ANY PATENT, COPYRIGHT OR OTHER INTELLECTUAL PROPERTY RIGHT. MACOM FURTHER DOES NOT WARRANT THE ACCURACY OR COMPLETENESS OF THE INFORMATION, TEXT, GRAPHICS OR OTHER ITEMS CONTAINED WITHIN THESE MATERIALS. MACOM SHALL NOT BE LIABLE FOR ANY SPECIAL, INDIRECT, INCIDENTAL, OR CONSEQUENTIAL DAMAGES, INCLUDING WITHOUT LIMITATION, LOST REVENUES OR LOST PROFITS, WHICH MAY RESULT FROM THE USE OF THESE MATERIALS.

MACOM products are not intended for use in medical, lifesaving or life sustaining applications. MACOM customers using or selling MACOM products for use in such applications do so at their own risk and agree to fully indemnify MACOM for any damages resulting from such improper use or sale.

Mouser Electronics

Authorized Distributor

Click to View Pricing, Inventory, Delivery & Lifecycle Information:

[MACOM:](#)

[MAMXSS0012SMB](#)