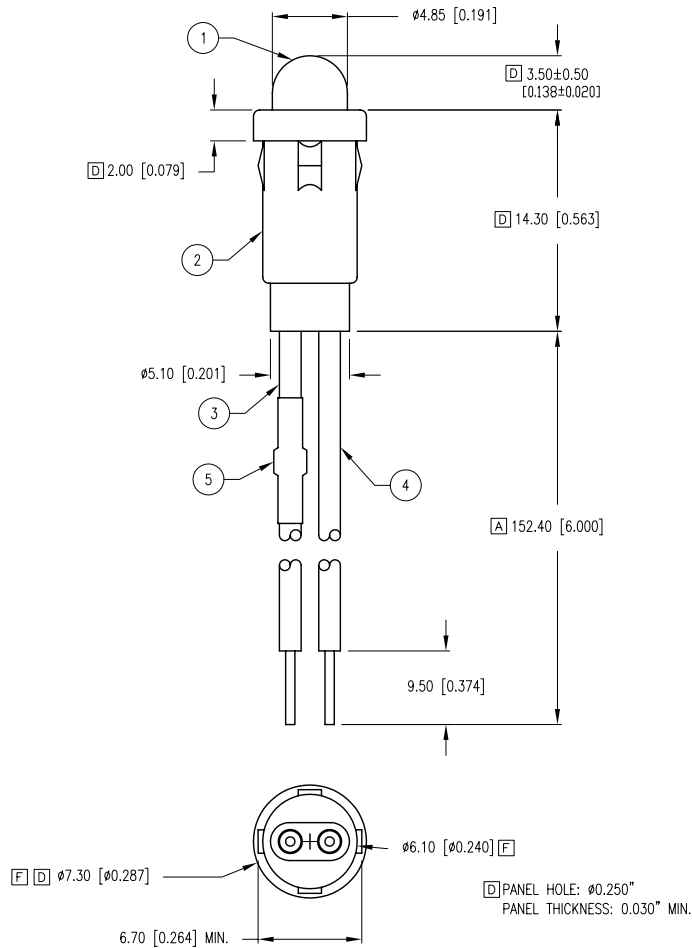


PART NUMBER	SSI-LXH600GD-24150	REV.	G
DATE	E.C.N. NUMBER AND REVISION COMMENTS		REV.
06.17.92	REDRAWN, ADDED NOTES, CORRECTED DIMS.		A
07.23.92	ADDED PART #'S TO NOTES 3,4.		B
01.22.93	UPDATED SPECS.		C
08.22.94	EXTENSIVE DIMENSION REVISION.		D
08.26.96	E.C.N. #10227 & 10113.		E
02.05.99	E.C.N. #10BRDR. & REDRAWN.		F
04.14.11	E.C.N. #10BRDR.		G



**C** ELECTRO-OPTICAL CHARACTERISTICS TA =25°C If=20mA

PARAMETER	MIN	TYP.	MAX	UNITS	TEST COND
PEAK WAVELENGTH		565		nm	
FORWARD VOLTAGE		24	--	Vf	
REVERSE VOLTAGE	5.0			Vr	Ir=100 $\mu$ A
AXIAL INTENSITY		20		mcd	If=20mA
VIEWING ANGLE		60		2x theta	
EMITTED COLOR:	GREEN				
EPOXY LENS FINISH:	GREEN DIFFUSED				

**D** LIMITS OF SAFE OPERATION AT 25°C

PARAMETER	MAX	UNITS
PEAK FORWARD CURRENT*	150	mA
STEADY CURRENT	22	mA
POWER DISSIPATION	600	mW
DERATE FROM 25°C	-1.2	mW/°C
OPERATING TEMP.	-40 TO +85	°C
STORAGE TEMP.	-40 TO +85	°C
SOLDERING TEMP.	+260	°C
2.0mm FROM BODY	3	SEC. MAX.

\* I<10 $\mu$ S

- A** NOTES:
- SSL-LX509F3GD LED, GREEN.
  - SSH-LXH600 HOLDER, BLACK.
  - ANODE LEAD: LXP-WST24RDT0C, 24 AWG TIN OVERCOAT, RED INSULATION, -45mm STRIP BOTH ENDS 4mm, -106mm, STRIP 4mm AND 9.5mm.
  - CATHODE LEAD: LXP-WST24BLT0C, 24 AWG TIN OVERCOAT, BLACK INSULATION, CUT 160mm LONG, STRIP 4mm & 9.5mm.
  - RESISTOR: 1K OHM, 1/2 WATT, LOCATE 1.75" FROM REAR OF HOUSING. TRIM LEADS OF RESISTOR 18mm END TO END.
  - INSULATE RESISTOR AND CRIMPS WITH HEAT SHRINK (1/8" x 1" LONG).

\*UNLESS OTHERWISE SPECIFIED TOLERANCES PER DECIMAL PRECISION ARE: X=±1 (±0.039), X.X=±0.5 (±0.020), X.XX=±0.25 (±0.010), X.XXX=±0.127 (±0.005). LEAD SIZE=±0.05 (±0.002), LEAD LENGTH=±0.75 (±0.030). MIN= <sup>DECIMAL PRECISION</sup> MAX.= <sup>DECIMAL PRECISION</sup> UNCONTROLLED DOCUMENT

**LUMEX**  
 Creating LED and LCD Solutions Together™  
 290 E. HELEN ROAD  
 PALATINE, IL 60067-6976  
 PHONE: +1.847.359.2790  
 FAX: +1.847.359.6538  
 WEB: WWW.LUMEX.COM

T-5mm (T-1 3/4) LED, PANEL MOUNT INDICATOR, 565nm GREEN, GREEN DIFFUSED LENS, 6" WIRE LEADS, 24V.  
 \*\*THE SPECIFICATIONS MAY CHANGE AT ANY TIME WITHOUT NOTICE DUE TO NEW MATERIALS OR PRODUCT IMPROVEMENT.\*\*  
 CONFIDENTIAL INFORMATION  
 THE INFORMATION CONTAINED IN THIS DOCUMENT IS THE PROPERTY OF LUMEX INC. EXCEPT AS SPECIFICALLY AUTHORIZED IN WRITING BY LUMEX INC., THE HOLDER OF THIS DOCUMENT SHALL KEEP ALL INFORMATION CONTAINED HEREIN CONFIDENTIAL AND SHALL PROTECT SAME IN WHOLE OR IN PART FROM DISCLOSURE AND DISSEMINATION TO ALL THIRD PARTIES.

DATE:	04.14.11	DRAWN BY:	AB
PAGE:	1 OF 1	CHKD BY:	JD
SCALE:	NTS	APRVD BY:	KF
UNIT:	mm [INCH]		Ⓟ

# Mouser Electronics

Authorized Distributor

Click to View Pricing, Inventory, Delivery & Lifecycle Information:

Lumex:

[SSI-LXH600GD-24150](#)