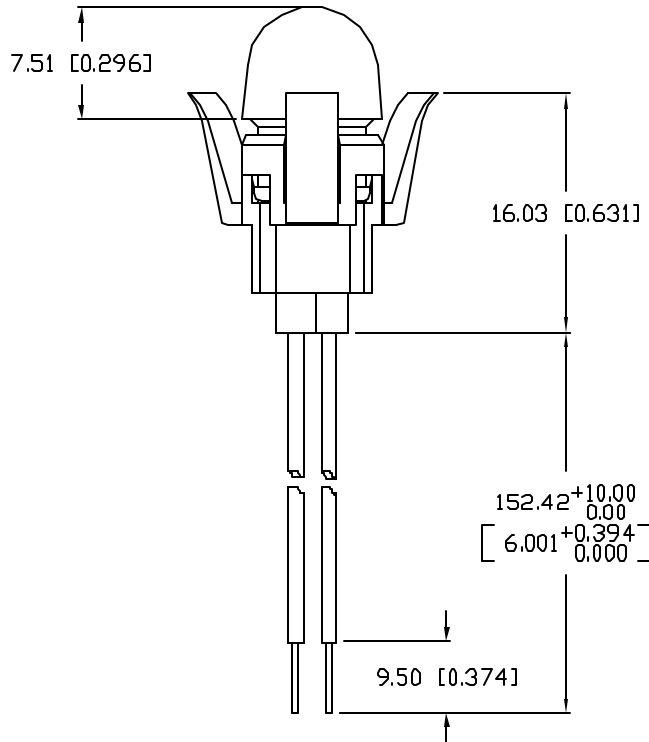
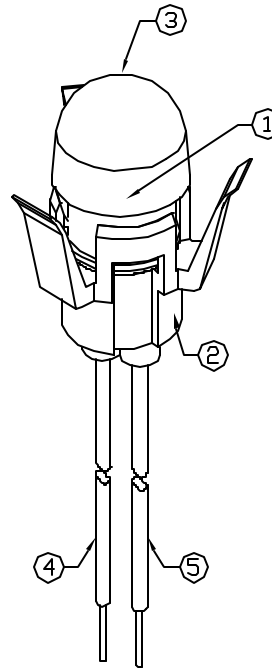
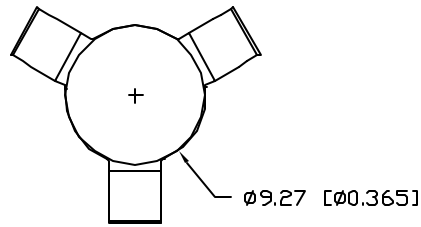


UNCONTROLLED DOCUMENT

| | | |
|-------------------|-------------------------------------|---------|
| PART NUMBER | | REV. |
| SSI-LXH691GD-150C | | B |
| REV. | E.C.N. NUMBER AND REVISION COMMENTS | DATE |
| A | E.C.N. #10BRDR. & REDRAWN. | 8.13.01 |
| B | E.C.N. #11415. | 5.9.07 |



ELECTRO-OPTICAL CHARACTERISTICS $T_A=25^\circ\text{C}$ $I_f=20\text{mA}$

| PARAMETER | MIN | TYP | MAX | UNITS | TEST COND |
|--------------------|----------------|-----|-----|----------|----------------------|
| PEAK WAVELENGTH | | 565 | | nm | |
| FORWARD VOLTAGE | | 2.2 | 2.6 | V_f | |
| REVERSE VOLTAGE | 5.0 | | | V_r | $I_f=100\mu\text{A}$ |
| AXIAL INTENSITY | | 10 | | mcad | $I_f=20\text{mA}$ |
| VIEWING ANGLE | | 60 | | 2x theta | |
| EMITTED COLOR: | GREEN | | | | |
| EPOXY LENS FINISH: | GREEN DIFFUSED | | | | |

LIMITS OF SAFE OPERATION AT 25°C

| PARAMETER | MAX | UNITS |
|--------------------------|------------|------------|
| PEAK FORWARD CURRENT* | 150 | mA |
| STEADY CURRENT | 25 | mA |
| POWER DISSIPATION | 105 | mW |
| DERATE FROM 25°C | -1.2 | mW/°C |
| OPERATING, STORAGE TEMP. | -40 TO +85 | °C |
| SOLDERING TEMP. | +260 | °C |
| 2.0mm FROM BODY | | 3 SEC. MAX |

* $t < 10\mu\text{s}$

NOTES:

- SSL-LX509F3GD LED, NOT SHOWN.
- SSH-LXH690 HOUSING, BLACK.
- SSN-LX690L1-C LENS, CLEAR.
- RED ANODE LEAD: LXP-WST22RDT0C, 22AWG STRANDED, RED INSULATION, CUT 160mm LONG, STRIP 4mm & 9.5mm.
- BLACK CATHODE LEAD: LXP-WST22ZELT0C, 22AWG STRANDED, BLACK INSULATION, CUT 160mm LONG, STRIP 4mm & 9.5mm.
- WHEN ASSEMBLED, MAX RIB DIAMETER AT MAX PANEL THICKNESS: 24mm [0.94].



*UNLESS OTHERWISE SPECIFIED TOLERANCES PER DECIMAL PRECISION ARE: X=±1 (±0.039), X.X=±0.5 (±0.020), X.XX=±0.25 (±0.010), X.XXX=±0.127 (±0.005), LEAD SIZE=±0.08 (±0.002), LEAD LENGTH=±0.75 (±0.030), MIN= +DECIMAL PRECISION MAX.= +0.00 -DECIMAL PRECISION

UNCONTROLLED DOCUMENT

| | | | |
|--|----------------------------------|---|---|
| REV. B | PART NUMBER SSI-LXH691GD-150C | CONFIDENTIAL INFORMATION THE INFORMATION CONTAINED IN THIS DOCUMENT IS THE PROPERTY OF LUMEX INC. EXCEPT AS SPECIFICALLY AUTHORIZED IN WRITING BY LUMEX INC, THE HOLDER OF THIS DOCUMENT SHALL KEEP ALL INFORMATION CONTAINED HEREIN CONFIDENTIAL AND SHALL PROTECT SAME IN WHOLE OR IN PART FROM DISCLOSURE AND DISSEMINATION TO ALL THIRD PARTIES. | 290 E. HELEN ROAD PALATINE, IL 60067-6976 PHONE: +1.847.359.2790 US WEB: www.lumex.com TW WEB: www.lumex.com.tw |
| T-5 (T-1 3/4) TULIP INDICATOR WITH SNAP MOUNT LENS, 565nm GREEN LED, GREEN DIFFUSED LENS. | | RELIABILITY NOTE OUR MANY YEARS OF EXPERIENCE DATA ACCUMULATION INDICATE THAT SOLDER HEAT IS A MAJOR CAUSE OF EARLY AND FUTURE FAILURE. PLEASE PAY ATTENTION TO YOUR SOLDERING PROCESS. | DRAWN BY: JC CHECKED BY: APPROVED BY: DATE: 2.2.96 PAGE: 1 OF 1 SCALE: N/A |

Mouser Electronics

Authorized Distributor

Click to View Pricing, Inventory, Delivery & Lifecycle Information:

[Lumex:](#)

[SSI-LXH691GD-150C](#)