

SWITCH FUNCTION CODE	SWITCH FUNCTION DESCRIPTION
1	MOMENTARY SOLDER TERMINAL
2	MAINTAINED SOLDER TERMINAL
A	MOMENTARY WIRELEADS
B	MAINTAINED WIRELEADS

HOUSING TYPE CODE	BEZEL TYPE DESCRIPTION
RBK	ROUND, BLACK

LED COLOR CODE	LED COLOR
N	NONE
G	GREEN
R	RED
B	BLUE
W	WHITE
A	AMBER
RB	RED/BLUE
RG	RED/GREEN

BUTTON COLOR CODE	BUTTON COLOR
RD	RED
GR	GREEN
BL	BLUE
BK	BLACK
YL	YELLOW
OR	ORANGE

MOUNTING TYPE CODE	MOUNTING TYPE
B	BUSHING

LED INLET VOLTAGE CODE (SEE LED SPECIFICATION)		LED INLET VOLTAGE
NON-WIRELEADS	IF BLANK	(SEE LED SPECIFICATION TABLE)
	05	5V*
WIRELEADS	IF BLANK	(SEE LED SPECIFICATION TABLE)
	05	5V*
	12	12V
	24	24V

ANY CODE	DESCRIPTION
IF BLANK	NA
XXX	PER CUSTOMER SPECIAL REQUEST

MECHANICAL CHARACTERISTICS:
 SWITCH CIRCUITRY: SPST-NO-DB
 SWITCH ACTION: MOMENTARY OR MAINTAINED (PER CHART)
 BUTTON TRAVEL: 2.3mm NOMINAL
 OPERATING FORCE: 306g [3N] NOMINAL
 CONTACT BOUNCE: 1ms NOMINAL
 PANEL THICKNESS: 0.5 - 3.0mm
 CONTACTS: GOLD PLATED
 NUT TORQUE FORCE: MAX 6 kgf/cm [5.2 LB/in]

ENVIRONMENTAL SPECIFICATIONS:
 ACTUATOR INGRESS PROTECTION: IP67
 OPERATING TEMPERATURE:
 MOMENTARY: -40°C to +85°C [-40°F to +185°F]
 MAINTAINED: -40°C to +65°C [-40°F to +149°F]

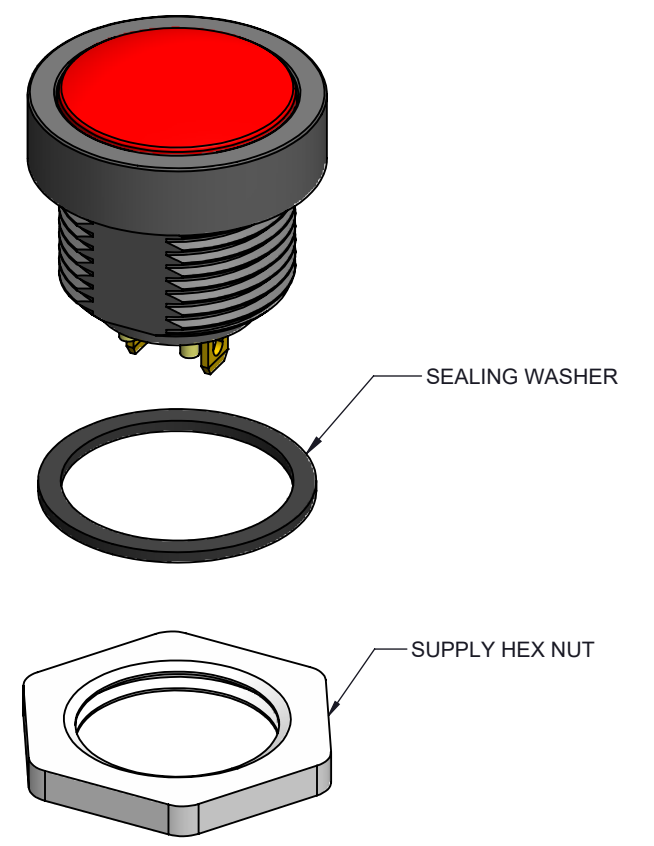
ELECTRICAL SPECIFICATIONS:
 CURRENT RATINGS: 10mA@12VDC
 MOMENTARY: 1000K CYCLES NOMINAL
 MAINTAINED: 50K CYCLES NOMINAL
 DIELECTRIC STRENGTH: 1,000VAC
 INSULATION RESISTANCE: 1G OHM
 CONTACT RESISTANCE:
 50m OHMS MAX INITIAL(NON-WIRELEADS)
 250m OHMS MAX INITIAL(WIRELEADS)

LED SPECIFICATIONS:
 CURRENT LIMITING RESISTOR IS REQUIRED TO LIMIT LED FORWARD CURRENT TO 20mA.
 LED CHARACTERISTICS SEE LED SPECIFICATION TABLE
 *INNER RESISTOR ONLY FOR LED :RED(5V) / BLUE(5V) / GREEN(5V) / WHITE(5V)

LED SPECIFICATION				
LED CODE	LED SINGLE COLOR	CIRCUITRY	Vf(VDC) TYP.	
			Color 1	If (mA)
A	AMBER		2.0	20
R	RED		2.0	20
B	BLUE		3.1	20
G	GREEN		3.0	20
W	WHITE		3.3	20
RB	RED BLUE		2.0 (RED) 3.3 (BLUE)	20
RG	RED GREEN		2.0 (RED) 3.4 (GREEN)	20

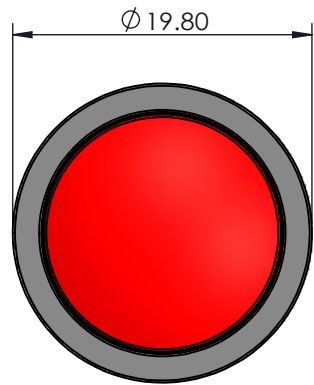
Notes:
 1.) Hand Soldering Temperature (4mm above from Body) : 320°C for 3 seconds

WIRELEADS SPECIFICATION					
WIRELEADS TYPE	WIRELEADS SPECIFICATION	SW TERMINAL		LED	
		/	O	+	-
ILLUMINATION	AWG26 / UL1007	BLUE	BLUE	RED	BLACK
NON-ILLUMINATION		BLUE	BLUE	--	--

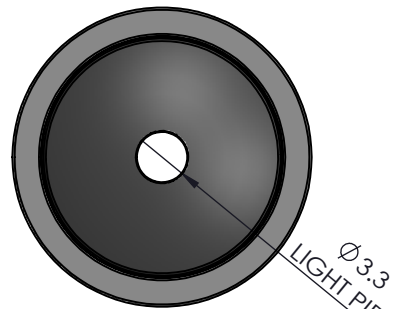


NOTE:
 1.SUPPLY HEX NET AND SEALING WASHER BULK IN PACKED

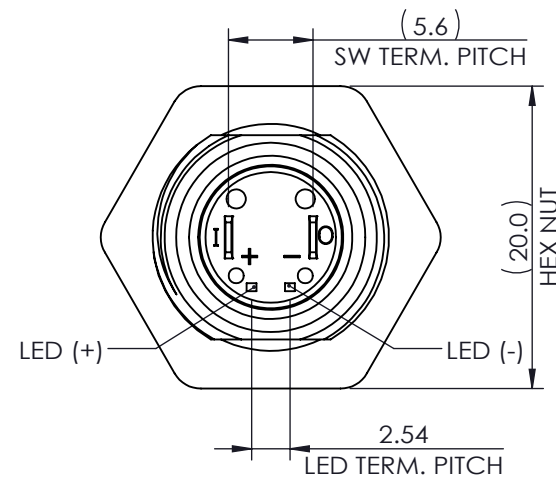
DWG TYPE SALES DRAWING	DRAWN e.e.	TOLERANCES: UNLESS OTHERWISE NOTED X.X ± 0.5 X.XX ± 0.2 ANGULAR ± 1°	DWG TITLE W50-MECHANICAL MOMENTARY & MAINTAINED								
STATUS RELEASE	REVIEW H.W.		DWG NO. W50-1,2,A,B								
<small>This document is the intellectual property of ITW Electronic Business Asia Co., Limited and may contain confidential, proprietary, privileged information protected by law. Neither this document nor any information it contains can be reproduced, transformed to any other format, or distributed, without written permission by ITW Electronic Business Asia Co., Limited. 本文件為安達維亞電器有限公司之智慧財產，非經許可不得翻取、複製、轉變成其他形式使用或散佈</small>			APPROVED v.w.	THIRD ANGLE PROJECTION 	REF: S48-1, 2, 5, 6, A, B	<input checked="" type="checkbox"/> 管制文件 <input type="checkbox"/> 非管制文件		Unit mm	SCALE 2 : 1	REV 3	RoHS Compliant



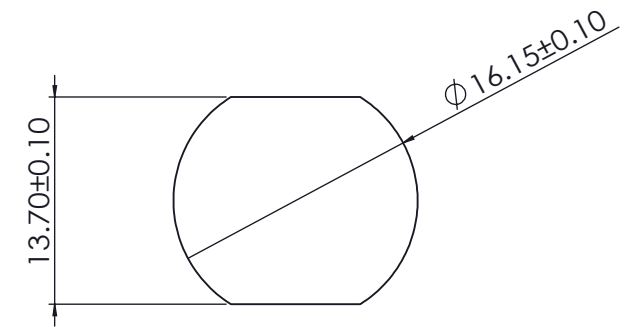
NON-ILLUMINATION TYPE



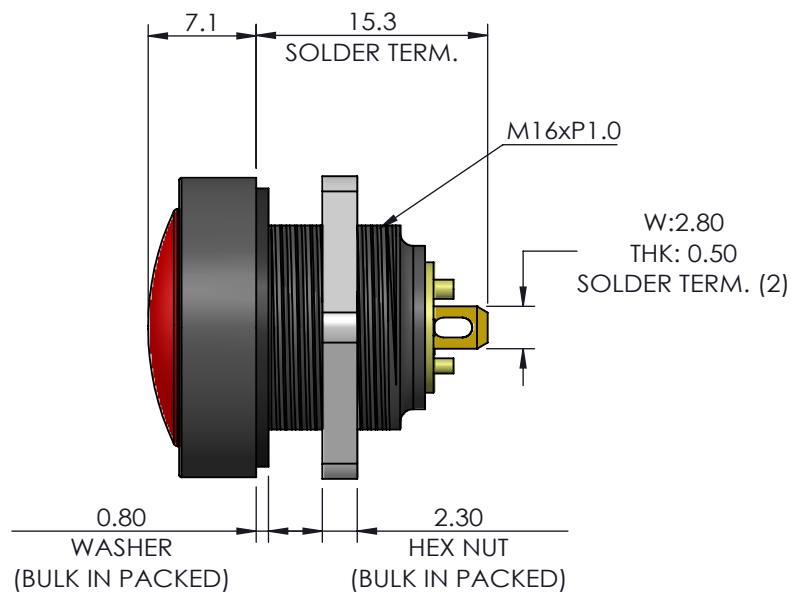
ILLUMINATION TYPE



DETAIL FOR TERMINAL POSITION

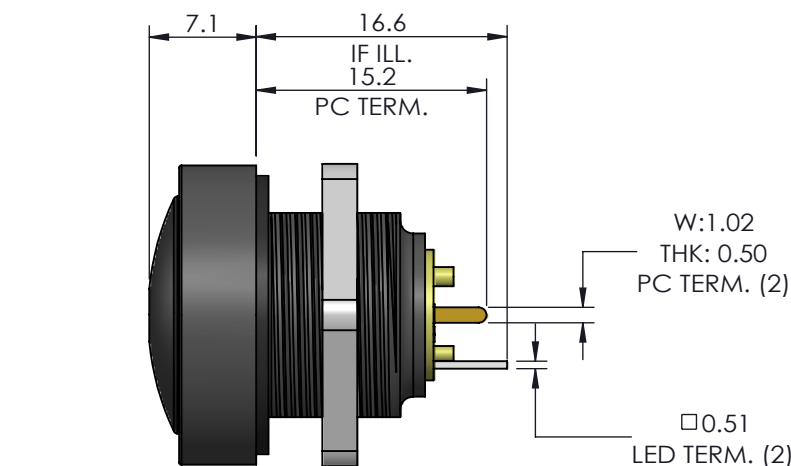
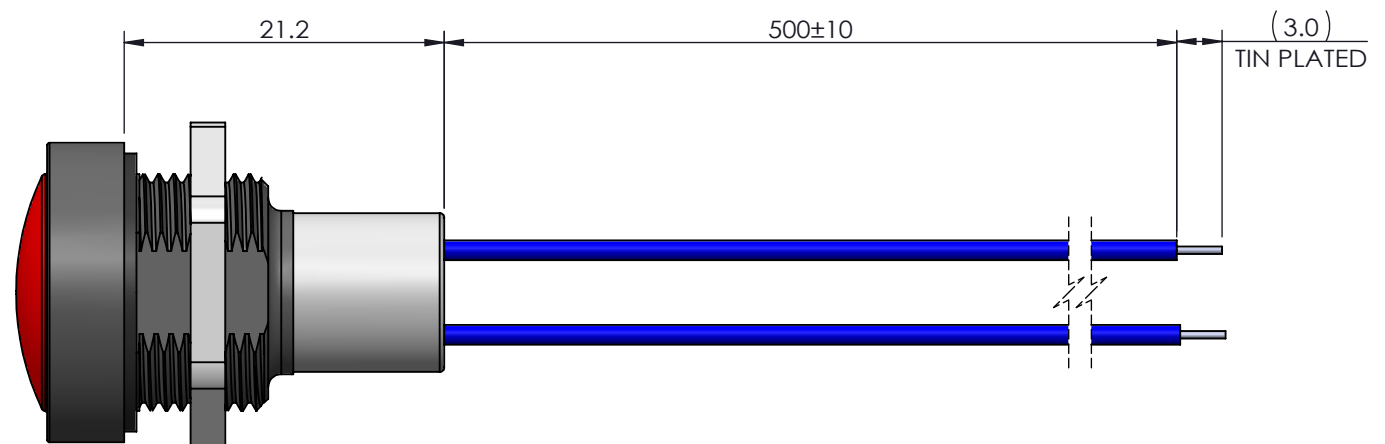


RECOMMENDED PANEL CUT-OUT BUSHING MOUNT



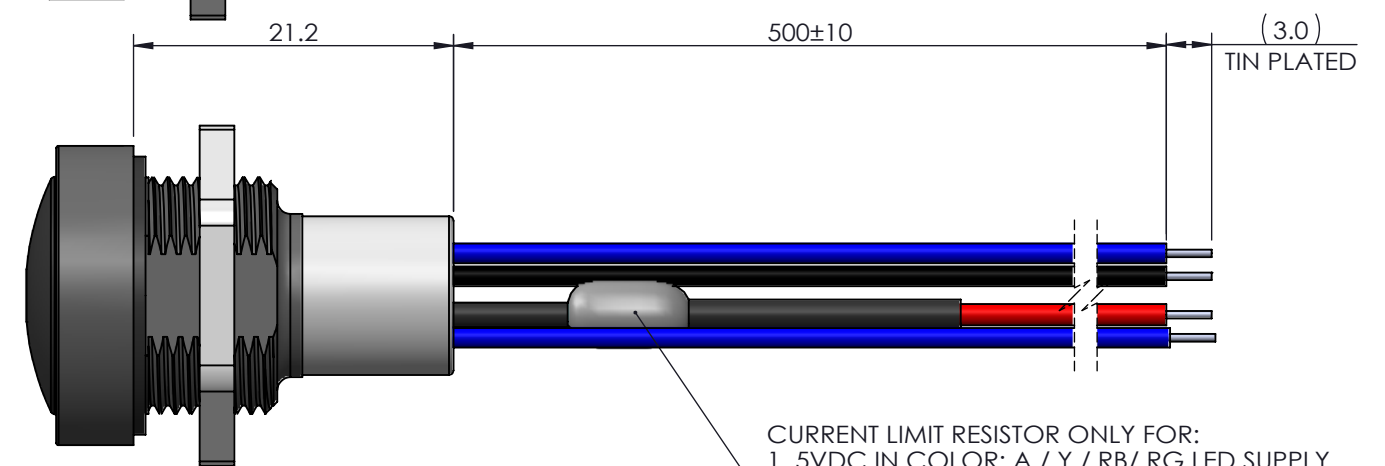
NON-ILLUMINATION TYPE

NON-ILLUMINATION WIRELEADS



ILLUMINATION TYPE

ILLUMINATION WIRELEADS



CURRENT LIMIT RESISTOR ONLY FOR:
 1. 5VDC IN COLOR: A / Y / RB/ RG LED SUPPLY
 2. 12VDC, 24VDC LED SUPPLY

DWG TYPE SALES DRAWING	DRAWN <i>e.e.</i>	TOLERANCES: UNLESS OTHERWISE NOTED X.X ± 0.5 X.XX ± 0.2 ANGULAR ± 1°	DWG TITLE W50-MECHANICAL MOMENTARY & MAINTAINED							
STATUS RELEASE	REVIEW <i>H.W.</i>	THIRD ANGLE PROJECTION 	DWG NO. W50-1,2,A,B							
<small>This document is the intellectual property of ITW Electronic Business Asia Co., Limited and may contain confidential, proprietary, privileged information protected by law. Neither this document nor any information it contains can be reproduced, transformed to any other format, or distributed, without written permission by ITW Electronic Business Asia Co., Limited. 本文件為安達維百電股份有限公司之智慧財產，非經許可不得翻取、複製、轉變成其他形式使用或散佈。</small>			DATE 2017.10.24	REF: S48-1, 2, 5, 6, A, B	<input checked="" type="checkbox"/> 管制文件 <input type="checkbox"/> 非管制文件	Unit mm	SCALE 2 : 1	REV 3	RoHS Compliant	SHEET 2 OF 3

Mouser Electronics

Authorized Distributor

Click to View Pricing, Inventory, Delivery & Lifecycle Information:

Lumex:

[W50-A-RBK-N-BK-B](#)