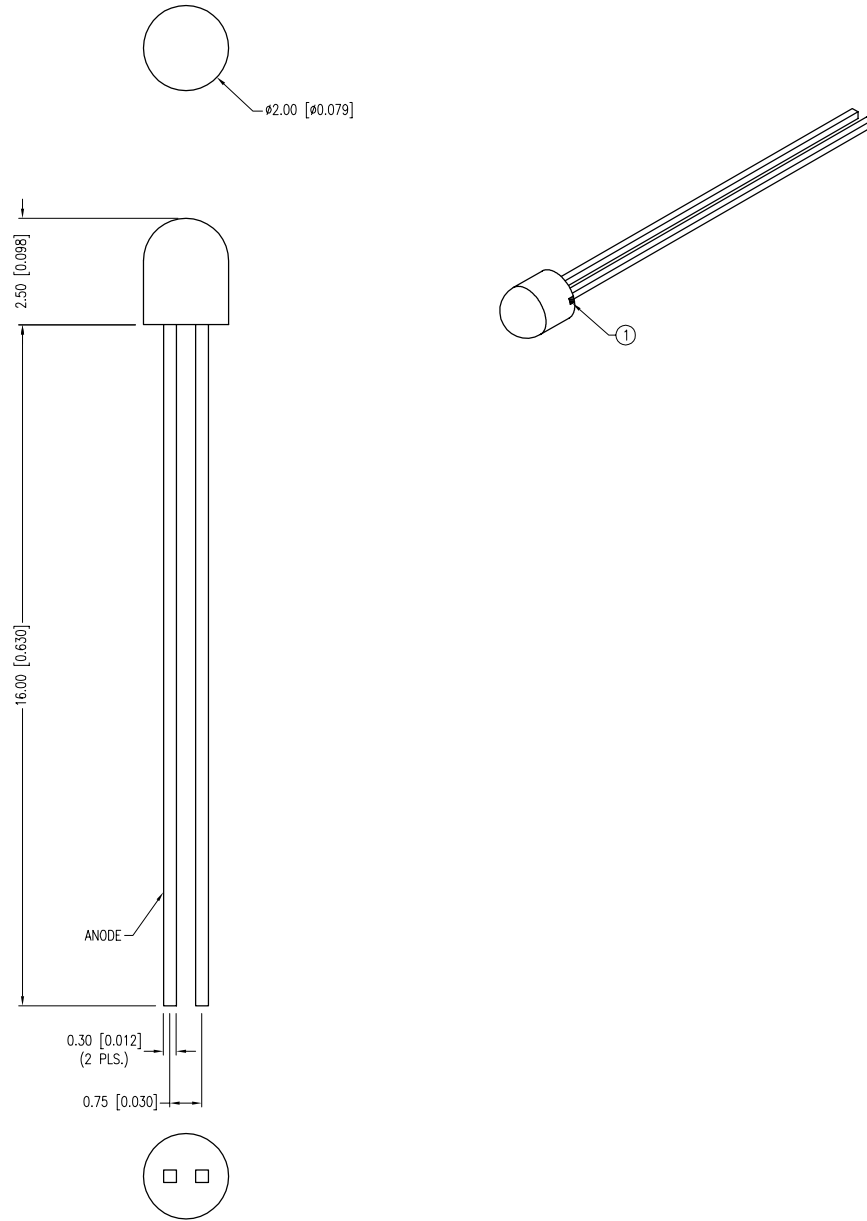


| | | | |
|-------------|-------------------------------------|------|------|
| PART NUMBER | SSL-LX203CS0T | REV. | B |
| DATE | E.C.N. NUMBER AND REVISION COMMENTS | | REV. |
| 05.13.04 | E.C.N. #11126. | | A |
| 07.26.11 | E.C.N. #10BRDR. & REDRAWN. | | B |



ELECTRO-OPTICAL CHARACTERISTICS TA = 25°C If = 20mA

| PARAMETER | MIN | TYP. | MAX | UNITS | TEST COND |
|--------------------|--------------------|------|-----|----------|-----------|
| PEAK WAVELENGTH | | 610 | | nm | |
| FORWARD VOLTAGE | | 2.0 | 2.5 | Vf | |
| REVERSE VOLTAGE | 5.0 | | | Vr | If=10µA |
| AXIAL INTENSITY | | 10 | | mcd | If=20mA |
| VIEWING ANGLE | | 160 | | 2x theta | |
| EMITTED COLOR: | ORANGE | | | | |
| EPOXY LENS FINISH: | ORANGE TRANSPARENT | | | | |

LIMITS OF SAFE OPERATION AT 25°C

| PARAMETER | MAX | UNITS |
|-----------------------|-------------|-----------|
| PEAK FORWARD CURRENT* | 150 | mA |
| STEADY CURRENT | 30 | mA |
| POWER DISSIPATION | 105 | mW |
| DERATE FROM 25°C | -1.0 | mW/°C |
| OPERATING TEMP. | -25 TO +75 | °C |
| STORAGE TEMP. | -25 TO +100 | °C |
| SOLDERING TEMP. | +260 | °C |
| 2.0mm FROM BODY | 3 | SEC. MAX. |

* t<10µS

[A] NOTES:

1. ANODE MARK IS INDICATED BY A SMALL MARKING ON THE SIDE OF THE CERAMIC SURFACE.

*UNLESS OTHERWISE SPECIFIED TOLERANCES PER DECIMAL PRECISION ARE: X=±1 (±0.039), X,X=±0.5 (±0.020), X,XX=±0.25 (±0.010), X,XXX=±0.127 (±0.005). LEAD SIZE=±0.05 (±0.002), LEAD LENGTH=±0.75 (±0.030). MIN= ^{+0.00}/_{-0.00} DECIMAL PRECISION MAX.= ^{+0.00}/_{-0.00} DECIMAL PRECISION

LUMEX
 Creating LED and LCD Solutions Together™
 290 E. HELEN ROAD
 PALATINE, IL 60067-6976
 PHONE: +1.847.359.2790
 FAX: +1.847.359.6538
 WEB: WWW.LUMEX.COM

T-2 CERAMIC STEM LED, 610nm SUPER ORANGE LED, ORANGE TRANSPARENT LENS.

THE SPECIFICATIONS MAY CHANGE AT ANY TIME WITHOUT NOTICE DUE TO NEW MATERIALS OR PRODUCT IMPROVEMENT.

CONFIDENTIAL INFORMATION
 THE INFORMATION CONTAINED IN THIS DOCUMENT IS THE PROPERTY OF LUMEX INC. EXCEPT AS SPECIFICALLY AUTHORIZED IN WRITING BY LUMEX INC., THE HOLDER OF THIS DOCUMENT SHALL KEEP ALL INFORMATION CONTAINED HEREIN CONFIDENTIAL AND SHALL PROTECT SAME IN WHOLE OR IN PART FROM DISCLOSURE AND DISSEMINATION TO ALL THIRD PARTIES.

| | | | |
|--------|-----------|-----------|----|
| DATE: | 07.26.11 | DRAWN BY: | AB |
| PAGE: | 1 OF 1 | CHKD BY: | JD |
| SCALE: | NTS | APRVD BY: | JD |
| UNIT: | mm [INCH] | | Ⓟ |

Mouser Electronics

Authorized Distributor

Click to View Pricing, Inventory, Delivery & Lifecycle Information:

[Lumex:](#)

[SSL-LX203CSOT](#)