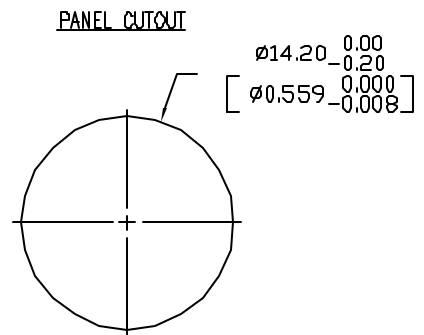
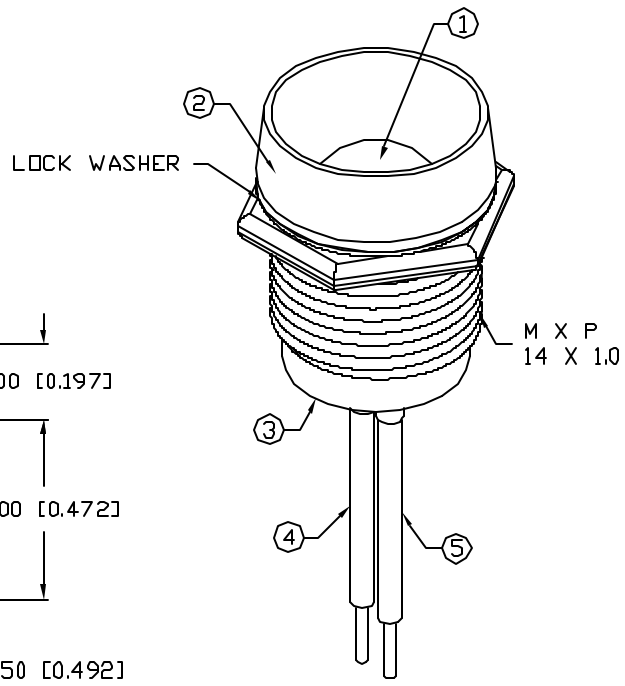
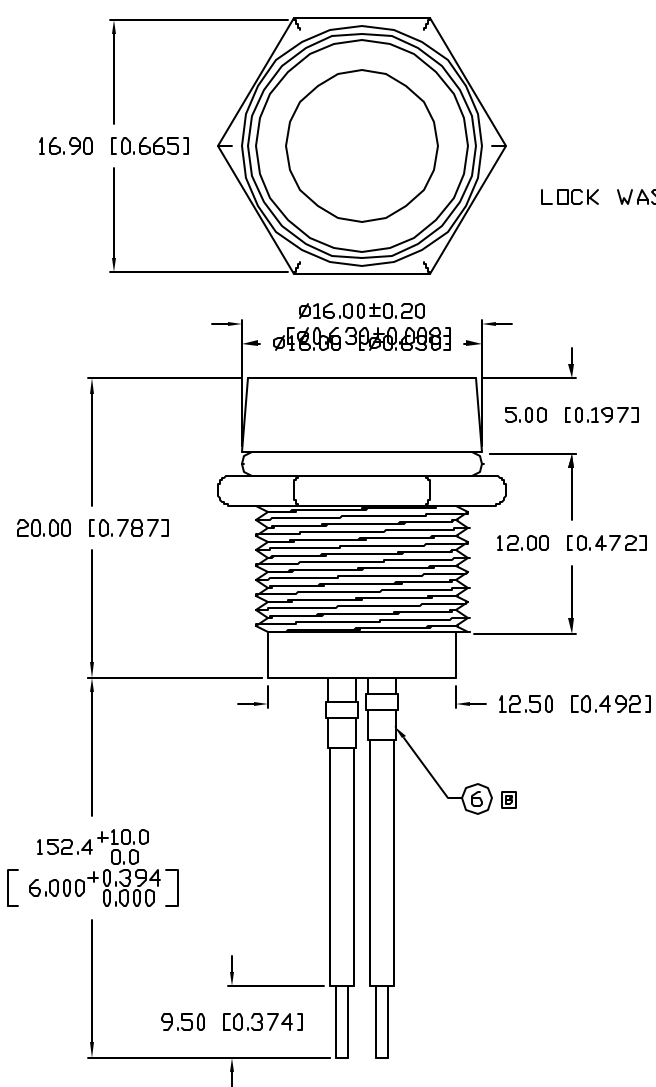


UNCONTROLLED DOCUMENT

|                    |  |      |
|--------------------|--|------|
| PART NUMBER        |  | REV. |
| SSI-LXR4915SUGD150 |  | C    |

| REV. | E.C.N. NUMBER AND REVISION COMMENTS | DATE     |
|------|-------------------------------------|----------|
| A    | E.C.N. #10857.                      | 4.29.02  |
| B    | E.C.N. #10907.                      | 9.17.02  |
| C    | E.C.N. #10919.                      | 10.22.02 |



ELECTRO-OPTICAL CHARACTERISTICS  $T_A=25^{\circ}\text{C}$   $I_f=20\text{mA}$

| PARAMETER          | MIN            | TYP | MAX | UNITS    | TEST COND            |
|--------------------|----------------|-----|-----|----------|----------------------|
| PEAK WAVELENGTH    |                | 574 |     | nm       |                      |
| FORWARD VOLTAGE    |                | 2.2 | 2.6 | $V_f$    |                      |
| REVERSE VOLTAGE    | 5.0            |     |     | $V_r$    | $I_f=100\mu\text{A}$ |
| AXIAL INTENSITY    |                | 250 |     | med      | $I_f=20\text{mA}$    |
| VIEWING ANGLE      |                | 60  |     | 2x theta |                      |
| EMITTED COLOR:     | GREEN          |     |     |          |                      |
| EPOXY LENS FINISH: | GREEN DIFFUSED |     |     |          |                      |

LIMITS OF SAFE OPERATION AT  $25^{\circ}\text{C}$

| PARAMETER                        | MAX        | UNITS                  |
|----------------------------------|------------|------------------------|
| PEAK FORWARD CURRENT*            | 150        | mA                     |
| STEADY CURRENT                   | 25         | mA                     |
| POWER DISSIPATION                | 105        | mW                     |
| DERATE FROM $25^{\circ}\text{C}$ | -1.2       | mW/ $^{\circ}\text{C}$ |
| OPERATING, STORAGE TEMP.         | -40 TO +85 | $^{\circ}\text{C}$     |

\*  $t < 10\mu\text{s}$

NOTES:

- ⊠ 1. SSL-LX100133SUGD, GREEN LED UNCUT LEADS.
- ⊠ 2. SSI-LXR4915, CHROME HOUSING.
- ⊠ 3. NEOPRENE RUBBER BUSHING.
- ⊠ 4. ANODE LEAD: LXP-WST24RDT0C, 24 AWG STRANDED, RED INSULATION, CUT 142mm LONG, STRIP 3mm & 9.5mm.
- ⊠ 5. CATHODE LEAD: LXP-WST24BLT0C, 24 AWG STRANDED, BLACK INSULATION, CUT 142mm, STRIP 3mm & 9.5mm.
- ⊠ 6. LXP-HEATSHRINK-2; 1/16" X 37mm (2 PCS.)
- ⊠ 7. LED IS SECURED INSIDE HOLDER WITH UV GLUE. THEN, INSERT BUSHING.

\*UNLESS OTHERWISE SPECIFIED TOLERANCES PER DECIMAL PRECISION ARE: X=±1 (±0.039), XX=±0.5 (±0.020), XXX=±0.25 (±0.010), XXXX=±0.127 (±0.005). LEAD SIZE=±0.05 (±0.002), LEAD LENGTH=±0.75 (±0.030), MIN= <sup>+0.00</sup>/<sub>-0.00</sub> MAX= <sup>+0.00</sup>/<sub>-0.00</sub>

UNCONTROLLED DOCUMENT

|      |                    |
|------|--------------------|
| REV. | PART NUMBER        |
| C    | SSI-LXR4915SUGD150 |

**CONFIDENTIAL INFORMATION**  
 THE INFORMATION CONTAINED IN THIS DOCUMENT IS THE PROPERTY OF LUMEX INC. EXCEPT AS SPECIFICALLY AUTHORIZED IN WRITING BY LUMEX INC, THE HOLDER OF THIS DOCUMENT SHALL KEEP ALL INFORMATION CONTAINED HEREIN CONFIDENTIAL AND SHALL PROTECT SAME IN WHOLE OR IN PART FROM DISCLOSURE AND DISSEMINATION TO ALL THIRD PARTIES.



290 E. HELEN ROAD  
 PALATINE, IL 60067-6976  
 PHONE: +1.847.359.2790  
 US WEB: www.lumex.com  
 TW WEB: www.lumex.com.tw

10mm, 574nm AlInGaP GREEN LED PANEL INDICATOR,  
 GREEN DIFFUSED LENS, 6" WIRE LEADS.

**RELIABILITY NOTE**  
 OUR MANY YEARS OF EXPERIENCE DATA ACCUMULATION INDICATE THAT SOLDER HEAT IS A MAJOR CAUSE OF EARLY AND FUTURE FAILURE. PLEASE PAY ATTENTION TO YOUR SOLDERING PROCESS.

|           |             |              |              |
|-----------|-------------|--------------|--------------|
| DRAWN BY: | CHECKED BY: | APPROVED BY: | DATE:        |
| BC        |             |              | 1.2.02       |
|           |             |              | PAGE: 1 OF 1 |
|           |             |              | SCALE: N/A   |

# Mouser Electronics

Authorized Distributor

Click to View Pricing, Inventory, Delivery & Lifecycle Information:

Lumex:

[SSI-LXR4915SUGD150](#)