

## HD SERIES BI-STABLE RELAYS

### Remotely-Operated 300A Disconnect For High-Amperage Circuits



PN 880086

### Description

The HD Series Bi-Stable Relay is designed to deliver and remotely switch vehicle loads. The HD Relay supports remote power switching applications that demand high performance; including high continuous current passage, large inverter loads, and high ambient temperature situations. The HD Relay delivers high performance in a compact size, making it a great choice for heavy-duty vehicles, construction and agriculture equipment, military vehicles, and heavy-duty lifting equipment. The HD Relay is designed for harsh weather, high shock and vibration environments; typical of those found in heavy-truck, marine, and emergency vehicle applications.

The HD Relay provides significant cost and weight benefits by eliminating the need to route heavy copper cables to more conveniently located mechanical only disconnects. Cables can instead be routed directly to loads with the HD Relay positioned close to the battery or in-line with the desired cable routing. Remote control of the HD Relay can then be located in any convenient location on the vehicle with a fine-wire harness linking the HD Relay to the control switch.

### Specifications Overview

<b>Max Voltage:</b>	880086 - 12V DC 880088 - 24V DC
<b>Max Continuous Current:</b>	300A (4/0 input & output cable)
<b>Operating Temperature:</b>	-50°C to + 105°C
<b>Ingress Protection:</b>	IP67/IP69K

### Web Resources

Download technical resources at:  
[littelfuse.com/HD](http://littelfuse.com/HD)

### Features and Benefits

- Remotely-operated device eliminates long runs of heavy cable: Minimizes cabling complexity, cost and vehicle weight.
- Bi-stable (latched) operation draws no current in On or Off: eliminates a continuous demand on the batteries.
- LED output wire enables remote indication of relay status – Open or Closed.
- Silver alloy contact assure the lowest voltage drop/ resistance and extends cycling life of the device.
- Stainless steel hardware and tin-plated copper contacts maximize resistance in harsh environments.
- Eliminates routing of heavy gauge cables to user-accessible mechanical disconnect switches, lowering system costs
- Supports high-amp intermittent or continuous current loads.

### Ordering Information

PART NUMBER	VOLTAGE	MAX AMPERAGE	CONNECTOR
880086	12V DC	300A	Deutsch
880088	24V DC	300A	Deutsch

### Accessories



PART NUMBER	DESCRIPTION
880092	Remote Control Switch

## HD SERIES BI-STABLE RELAYS

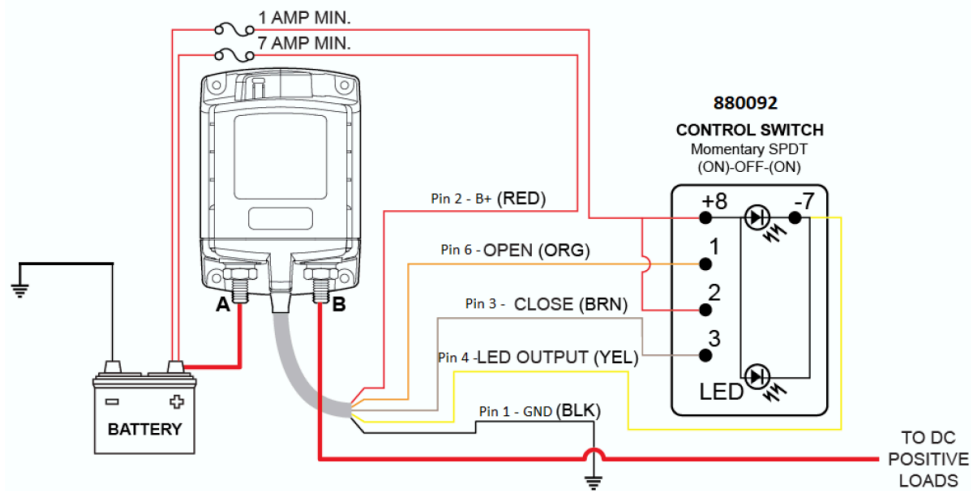
### Specifications

<b>Max Continuous Current Rating</b>	300A (4/0 input/output cable)
<b>Inrush Current Rating (10 Seconds)</b>	1500A (4/0 input/output cable)
<b>Mounting Hardware</b>	M5 or #10
<b>Terminal Hardware</b>	3/8" (Accepts M10 Terminals)
<b>Temperature Range</b>	-50°C to +105°C
<b>Humidity</b>	0-95% RH
<b>Shock</b>	10G
<b>Vibration</b>	8G
<b>Ingress Rating</b>	IP67/IP69K
<b>Connector</b>	Deutsch 6-position DTM
<b>Ignition Protection</b>	Meets ISO 8846 & SAE J1171

#### Specifications: Remote control rocker switch PN 880092

<b>Contura Control Switch</b>	Momentary SPDT (On) -Off- (On)
<b>Temperature Range</b>	-40°C to +85°C
<b>Mounting Cut-Out</b>	1.45" x 0.83" (36.9 x 21.0mm)
<b>LED Rating</b>	100,000 Hours Half-Life
<b>Ingress Rating</b>	IP67

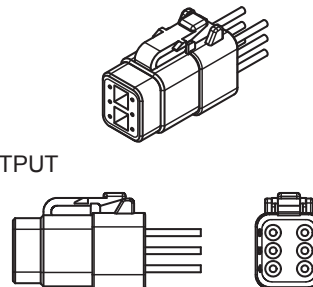
### Installation



### Harness Details

- PIN 1 (BLACK) - GND
- PIN 2 (RED) - B+
- PIN 3 (BROWN) - CLOSE
- PIN 4 (YELLOW) - LED OUTPUT
- PIN 5 - VACANT
- PIN 6 (ORANGE) - OPEN

WIRE HARNESS CONNECTOR  
DEUTSCH DTM SERIES DTM 06-6S  
MATING P/N: P20-138-1106DI



Visit [Littelfuse.com](http://Littelfuse.com) for the most up-to-date product information. Littelfuse products are designed for specific applications and should not be used for any purpose (including, without limitation, automotive applications) not expressly set forth in applicable Littelfuse product documentation. Warranties granted by Littelfuse shall be deemed void for products used for any purpose not expressly set forth in applicable Littelfuse product documentation. Littelfuse shall not be liable for any claims or damages arising out of products used in applications not expressly intended by Littelfuse as set forth in applicable Littelfuse product documentation.

# Mouser Electronics

Authorized Distributor

Click to View Pricing, Inventory, Delivery & Lifecycle Information:

[Littelfuse:](#)

[880086](#) [880088](#)