

08080200 BATTERY DISCONNECT SWITCHES

150A • SPST • IP65 • M10 Studs • Push to Off



Description

Manual Battery Disconnect Switch features a push button for fast push to off operation in event of an emergency. Rotate knob for ON. Switch status is indicated through a window on the top of the knob

Features/Benefits

- 150A continuous current rating
- Push to OFF feature for emergency situations
- Highly visible bright red handle
- Status window built-in the top of the knob
- Waterproof and dustproof to IP65

Dimensions

Specifications

Max Operating Voltage:	24V DC
Max Continuous Current:	150A
Intermittent Current:	1200A at 5 sec
Operating Temp:	-30°C to +60°C
Ingress Protection:	IP65
Contacts:	Silver-Plated Copper
Terminals:	M10

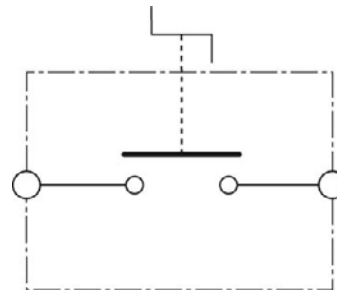
Applications

- Heavy Truck
- Off-Road
- Emergency Vehicles
- Material Handling
- Mining
- Agricultural
- Marine
- Construction

Web Resources

Download 2D prints and additional technical resources at:
littelfuse.com/ManualBatterySwitches

Electrical Diagram

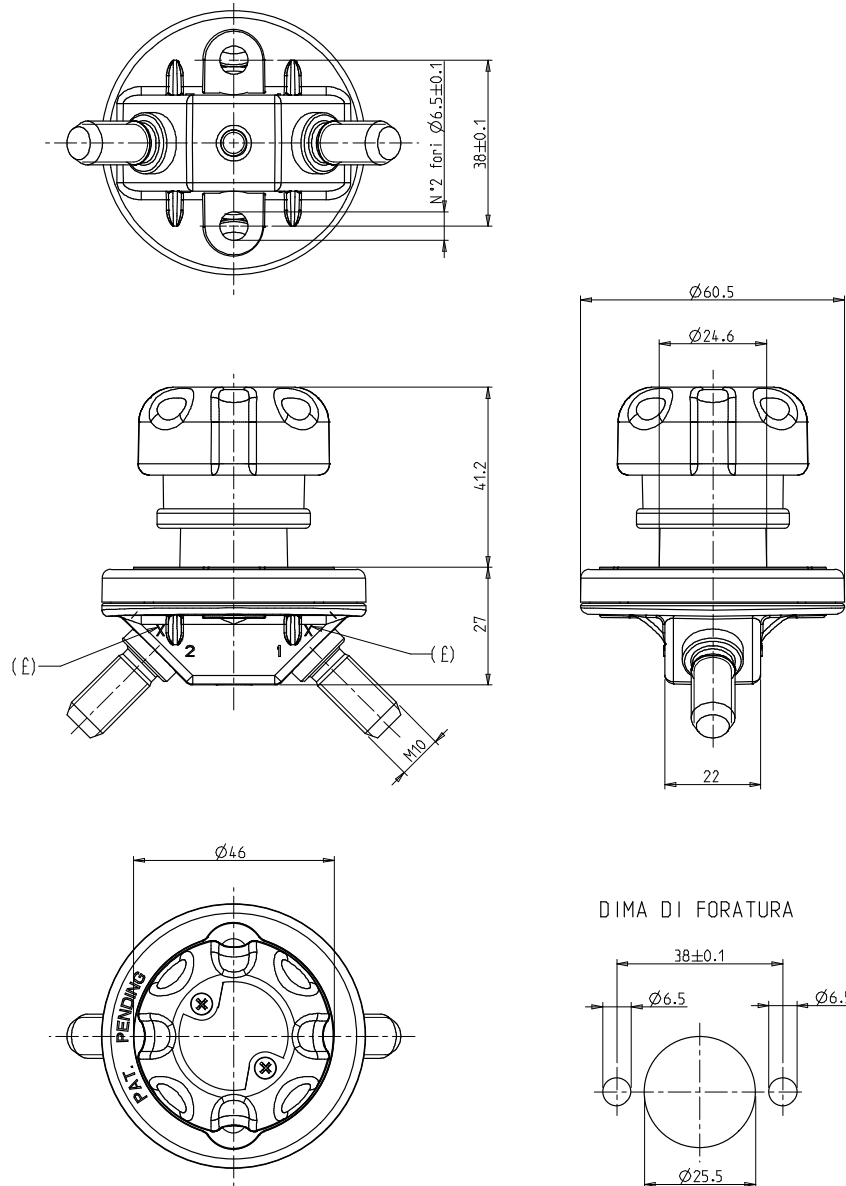


Ordering Information

PART NUMBERS		VOLTAGE	AMPERAGE	CIRCUITRY	MOUNTING	INGRESS	NOTES
BULK	BOXED						
08080200	08080200-BX	12-24V DC	150A	SPST	Through-Hole	IP65	Push to off

08080200 BATTERY DISCONNECT SWITCHES

Dimensions in millimeters



Mouser Electronics

Authorized Distributor

Click to View Pricing, Inventory, Delivery & Lifecycle Information:

[Littelfuse:](#)

[08080200](#)