

## Insulating Nuts for CF8 Fuse



### Specifications

**Material:** Thermoplastic, Duroplastic  
**Packaging unit:** Pos.1 = 250 pieces  
 Pos.2 + 3 = 100 pieces

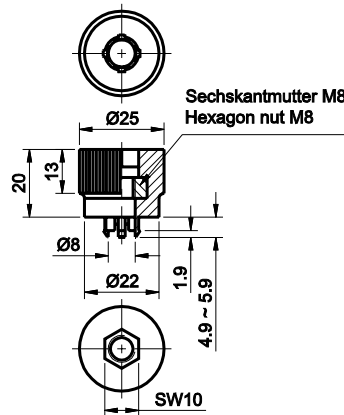
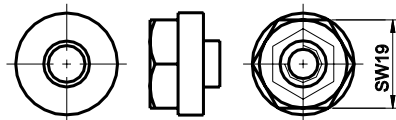
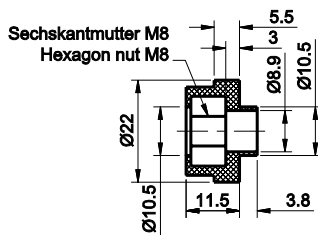
Series Serien	Pack Size
255.0808.xxx1	250
255.0899.xxx1	100

Fuse Holders  
High Current

Insulating nuts for CF8 Fuse links.

Isoliermuttern für CF8-Sicherungen.

### Dimensions in mm / Maße in mm



Part Number Artikel-Nr.	Description Beschreibung	Contact Temperature Kontakttemperatur
255.0808.0001	Insulating nut (Duroplastic)	max. 300 A (23°C+/-5°C)
255.0899.4001	Insulating nut with locking hook 4.9mm (Thermoplastic) (Red)	max. 150 A (23°C+/-5°C)
255.0899.5001	Insulating nut with locking hook 5.9mm (Thermoplastic) (Black)	max. 150 A (23°C+/-5°C)

Corresponding fuse links see Section "Bolt-down Fuses." If the ring terminal makes contact with the terminal fuse stud, the fuse is bypassed and is not protecting the circuit.

# Mouser Electronics

Authorized Distributor

Click to View Pricing, Inventory, Delivery & Lifecycle Information:

[Littelfuse:](#)

[255.0899.4001](#) [255.0808.0001](#)