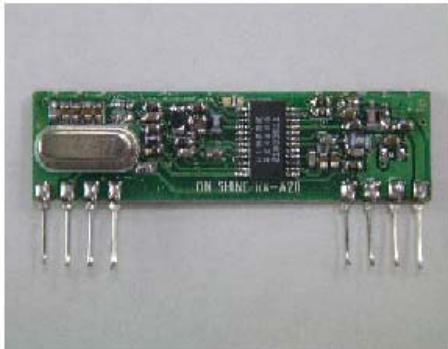


## Typical Applications

- Home Security Systems
- Remote Lighting Controls
- Remote Gate Controls
- Asset Tracking
- Sensor Monitoring

## Features

- Ideal for 315/ 433 MHz Remote Keyless Entry Receivers
- Phase-locked loop feature



## Description

The RCR-XXX-EPR is a miniature receiver module that receives On-off keyed (OOK) modulation signal and demodulated to digital signal for the next decoder stage. Local Oscillator is made of L/C structure. The result is excellent performance in simple-to-use. The RCR-XXX-EPR is designed specifically for unlicensed remote control and wireless security receiver operating at 315/433 MHz in the USA under FCC Part 15 regulation.

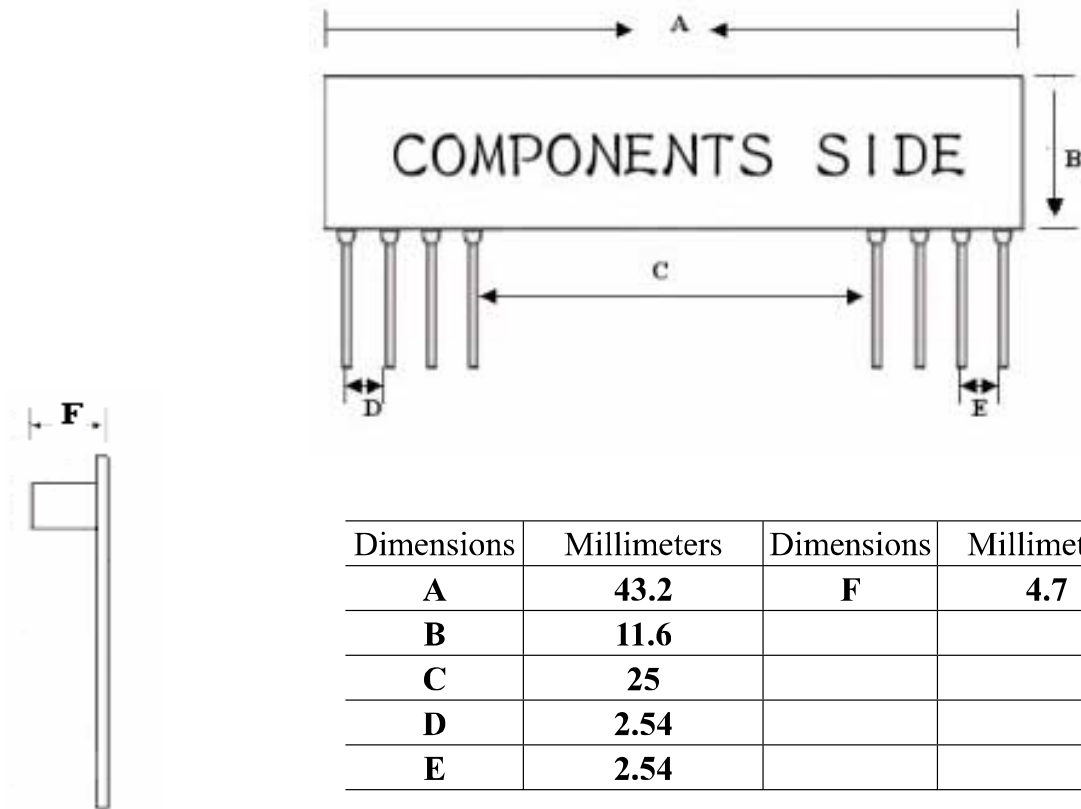
Item No.	Parameter	Description	Value			
			MIN	TYP	MAX	UNIT
1.	Sensitivity (315 MHz)	Vcc 5.0, TA-27C BER= 3/100, 1kbps		-105		MHz
2.	Sensitivity (433 MHz)	Vcc 5.0, TA-27C BER= 3/100, 1kbps		-104		MHz
3.	Modulation			ASK		
4.	Power Supply		4.75	5	5.25	V
5.	Supply Current			2.4	3	mA
6.	Data Rate			1	4.8	Kbps
7.	Operating Temperature		-40		+85	°C

***Document Control***

<b>Created By</b>	TJ Everett	1/20/07
<b>Engineering Review</b>		
<b>Marketing Review</b>		
<b>Approved - Engineering</b>		
<b>Approved - Marketing</b>		

***Revision History***

<b>Revision</b>	<b>Author</b>	<b>Date</b>	<b>Description</b>
1.0	TJE	1/20/07	Document Created.




Unit:mm

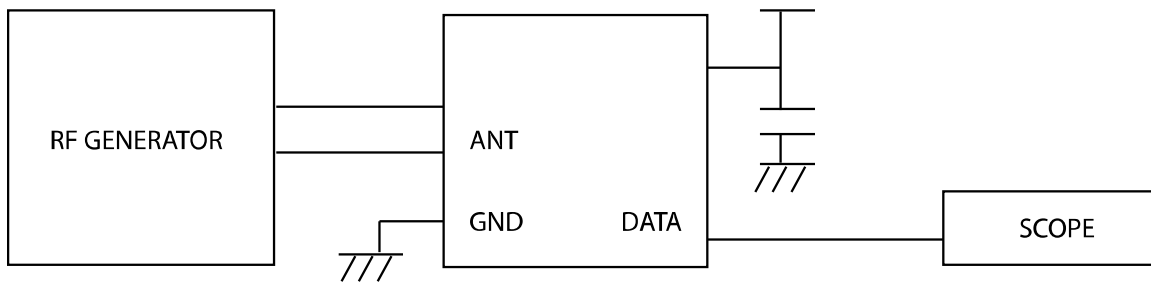
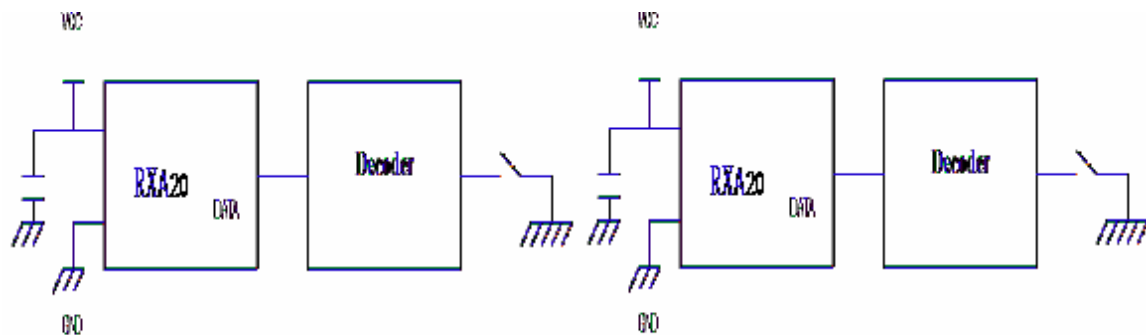
### Absolute Maximum Ratings

Rating	Value	Units
Power Supply and All Input Pins	-0.3 to +12	VDC
Storage Temperature	-50 to +100	°C
Soldering Temperature (10 sec)	350	°C
Industrial Temperature	-40 to +85	°C

### Pin Description

Pin	Name
1	GND
2	OUT
3	PD/ EMPTY
4	VDD
5	VDD
6	GND
7	GND
8	ANT



**Typing Test Circuit****Typical Receiver Application**

## Notes:

1. Encoder : HT12D/F , PTC ( 2262 )
2. Antenna : Length = 22.6cm for 315MHz; Length = 17.2cm for 433MHz

**Ordering Information**

PRODUCT	ORDER CODE
RCR-433-EPR	RCR-433-EPR

**Radiotronics Inc.**

905 Messenger Lane  
Moore, OK 73160

(405) 794-7730  
(405) 794-7477 (Fax)

[www.radiotronics.com](http://www.radiotronics.com)  
[sales@radiotronics.com](mailto:sales@radiotronics.com)

# Mouser Electronics

Authorized Distributor

Click to View Pricing, Inventory, Delivery & Lifecycle Information:

[Linx Technologies:](#)

[RCR-315-EPR](#) [RCR-433-EPR](#)