

SUMMARY

Wires

Low voltage 4



Image is for illustrative purpose only

Series 00
Termination type Female print PCB
IP rating 50
AWG wire size 34.00 - 28.00
Cable Ø 0.00 - 0.00 mm
Status active

Download

[Request a quote](#)
[PCB Eagle Pattern](#)
[PCB Altium Pattern](#)
[PCB KiCad Pattern](#)
[Catalog](#)

TECHNICAL DETAILS

Mechanics

Shell Style/Model XB*: Elbow receptacle fixing nut for printed circuit (back panel mounting)
Keying 1 key (alpha=0, plug: male contacts, receptacle: female contacts)
Housing Material PPS (Polyphenylene) shell, other pieces nickel plated [SAE AMS QQ N 290] brass
Weight 4.49 g

Performance

Configuration 00.304/XBG : 4 Low Voltage
Insulator L: PEEK (UL 94 / V-0/1.5)
Rated Current 2 Amps

Specifications

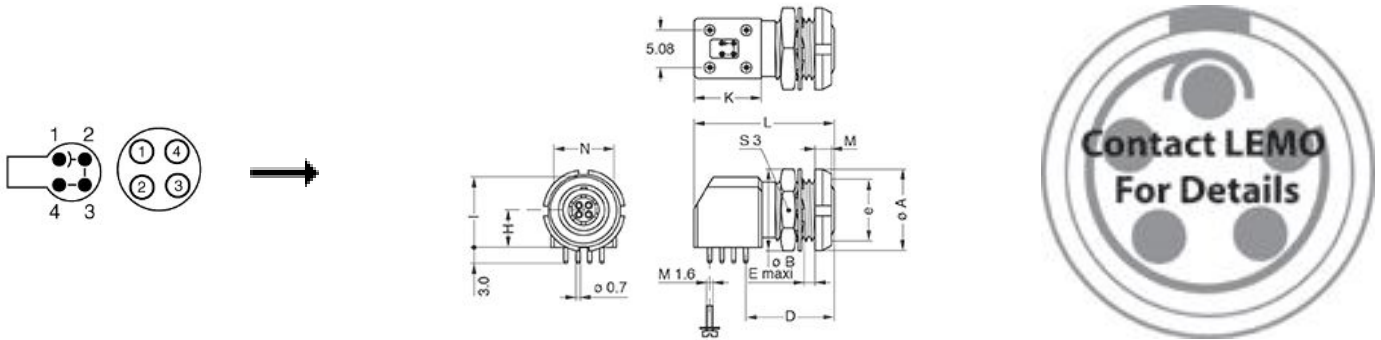
Contact Type: Print (straight)
Test voltage contact-contact : 1 kV rms
Test voltage contact-body shell : 1 kV rms

Others

Salt Spray Corrosion: >144 hr

LEMO products and services are provided "as is". LEMO makes no warranties or representations with regard to LEMO product & services or use of them, express, implied or statutory, including for accuracy, completeness, or security. The user is fully responsible for his products and applications using LEMO components.

DRAWINGS



Dimensions

	A	B	D	E	H	I	K	L	M	N	S3	e
mm.	10	10.2	11.5	2.1	3.5	7	8.7	19	2.5	7	9	M7x0.5
in.	0,39	0,40	0,45	0,08	0,14	0,28	0,34	0,75	0,10	0,28	0,35	

RECOMMENDED BY LEMO

Tools

Spanner wrench: [DCB.91.455.0LN](#)

LEMO products and services are provided "as is". LEMO makes no warranties or representations with regard to LEMO product & services or use of them, express, implied or statutory, including for accuracy, completeness, or security. The user is fully responsible for his products and applications using LEMO components.

Mouser Electronics

Authorized Distributor

Click to View Pricing, Inventory, Delivery & Lifecycle Information:

[LEMO:](#)

[XBG.00.304.HLN](#)