

## SUMMARY

### # Wires

Low voltage 4



Image is for illustrative purpose only

Series	SP
Termination type	Female print PCB
IP rating	50
AWG wire size	28.00 - 20.00
Cable Ø	0.00 - 0.00 mm
Status	active
Matching parts	<a href="#">SAP.M04.GLA.5A</a>

### Download

- [Request a quote](#)
- [PCB Eagle Pattern](#)
- [PCB Altium Pattern](#)
- [PCB KiCad Pattern](#)
- [Catalog](#)

## TECHNICAL DETAILS

### Mechanics

Shell Style/Model	SL_.SP*: Fixed socket, key (N) or keys (P, S and T), nut fixing, blue front nut
Keying	3 keys (alpha=0, gamma=60, plug: male contacts, receptacle: female contacts)
Housing Material	Proprietary sulfone, gray
Variant	A : Blue front nut
Weight	4.64 g

### Performance

Configuration	SP.M04 : 4 Low V.
Insulator	L: PEEK (UL 94 / V-0/1.5)
Rated Current	11.5 Amps

### Specifications

Contact Type: Print (straight)  
Contact Dia.: 1.3 mm (0.0512in)  
Creepage distance min.: 0.96 mm

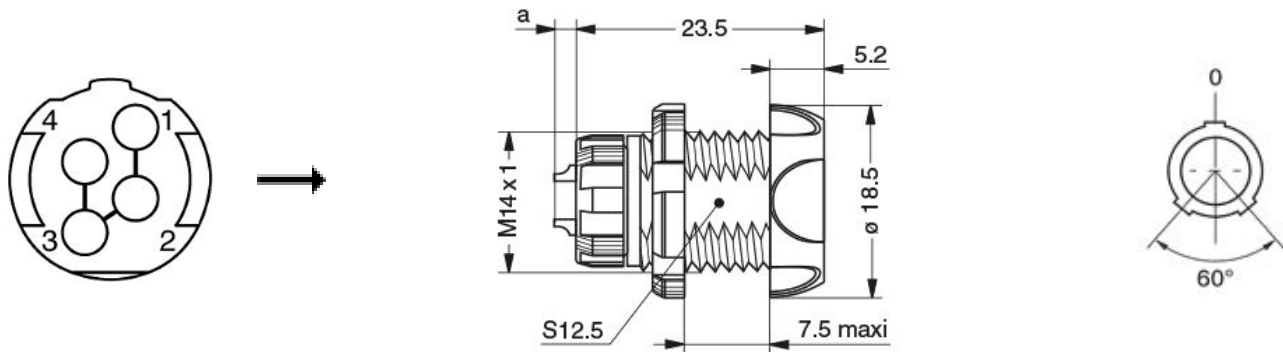
### Others

Endurance (Shell): >2000 mating cycles

LEMO products and services are provided "as is". LEMO makes no warranties or representations with regard to LEMO product & services or use of them, express, implied or statutory, including for accuracy, completeness, or security. The user is fully responsible for his products and applications using LEMO components.

Temp (min / max): -50°C / +170°C

## DRAWINGS



### Dimensions

	B	N	a	e
mm.	18.5	23.5	2.2	M14x1
in.	0,73	0,93	0,09	

## RECOMMENDED BY LEMO

### Tools

LEMO products and services are provided "as is". LEMO makes no warranties or representations with regard to LEMO product & services or use of them, express, implied or statutory, including for accuracy, completeness, or security. The user is fully responsible for his products and applications using LEMO components.

# Mouser Electronics

Authorized Distributor

Click to View Pricing, Inventory, Delivery & Lifecycle Information:

[LEMO:](#)

[SLP.M04.GLNA](#)