

SUMMARY

Wires

Low voltage 16



Image is for illustrative purpose only

| | |
|------------------|--------------------------------|
| Series | SP |
| Termination type | Female solder |
| IP rating | 50 |
| AWG wire size | 36.00 - 28.00 |
| Cable Ø | 0.00 - 0.00 mm |
| Status | active |
| Matching parts | SAN.M16.NLA.6N |

Download

[Request a quote](#)

[Catalog](#)

TECHNICAL DETAILS

Mechanics

| | |
|-------------------|-----------------------------------------------------------------------------------------------------------|
| Shell Style/Model | SK_.SP*: Fixed socket, key (N) or keys (P, S and T), with two nuts (back panel mounting), black front nut |
| Keying | 3 keys (alpha=0, gamma=30, plug: male contacts, receptacle: female contacts) |
| Housing Material | Proprietary sulfone, black |
| Variant | N : Black front nut |
| Weight | 5.12 g |

Performance

| | |
|---------------|---------------------------|
| Configuration | SP.M16 : 16 Low V. |
| Insulator | L: PEEK (UL 94 / V-0/1.5) |
| Rated Current | 3.0 Amps |

Specifications

Contact Type: Solder
Contact Dia.: 0.5 mm (0.0196in)
Bucket Dia.: 0.45 mm (0.0177in)
Max. Solid Conductor: 0.12 mm² (AWG 28)
Max. Stranded Conductor: 0.12 mm² (AWG 28)
R (max): 8.5 mOhm

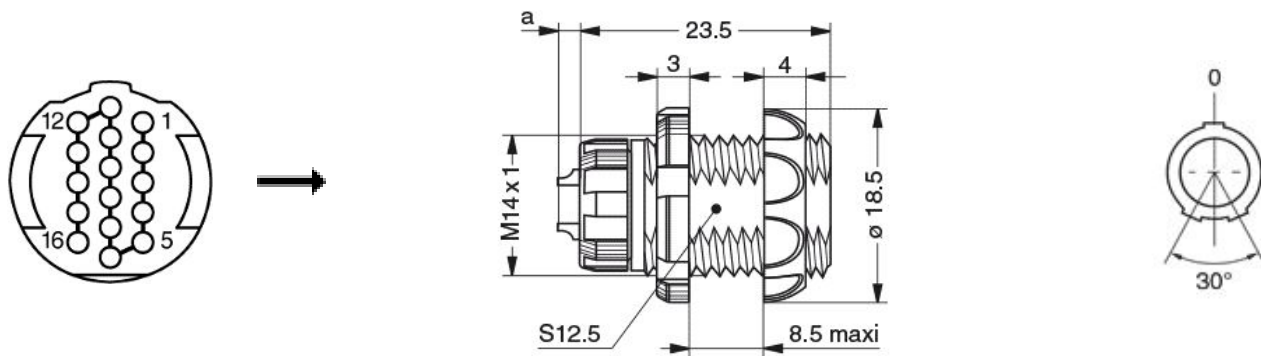
LEMO products and services are provided "as is". LEMO makes no warranties or representations with regard to LEMO product & services or use of them, express, implied or statutory, including for accuracy, completeness, or security. The user is fully responsible for his products and applications using LEMO components.

Test voltage (kV rms) Contact-contact: 0.75
 Air clearance min.: 0.47 mm
 Creepage distance min.: 0.47 mm

Others

Endurance (Shell): >2000 mating cycles
 Temp (min / max): -50°C / +170°C

DRAWINGS



Dimensions

| | B | E _{max} | N | a | e |
|-----|------|------------------|------|------|-------|
| mm. | 18.5 | 8.5 | 23.5 | 2.2 | M14x1 |
| in. | 0,73 | 0,33 | 0,93 | 0,09 | |

RECOMMENDED BY LEMO

Tools

LEMO products and services are provided "as is". LEMO makes no warranties or representations with regard to LEMO product & services or use of them, express, implied or statutory, including for accuracy, completeness, or security. The user is fully responsible for his products and applications using LEMO components.

Mouser Electronics

Authorized Distributor

Click to View Pricing, Inventory, Delivery & Lifecycle Information:

[LEMO:](#)

[SKN.M16.NLLN](#)