

## SUMMARY

### # Wires

Low voltage 8



*Image is for illustrative purpose only*

Series 1P  
Termination type Female solder  
IP rating 50  
AWG wire size 0.00 - 0.00  
Cable Ø 4.00 - 5.20 mm  
Status active

### Download

[Request a quote](#)

[Catalog](#)

## TECHNICAL DETAILS

### Mechanics

Shell Style/Model PT\*: Fixed receptacle with two nuts and cable collet (back panel mounting)  
Keying 2 keys (alpha=60; Plug: male contacts; Receptacle: female contacts)  
Housing Material PSU (Polysulfone), gray  
Variant G : Gray collet nut  
Weight 6.11 g

### Performance

Configuration 1P.M08 : 8 Low Voltage  
Insulator L: PEEK (UL 94 / V-0/1.5)  
Rated Current 5 Amps

### Specifications

Contact Type: Solder  
Contact Dia.: 0.7 mm (0.0275in)  
Bucket Dia.: 0.6 mm (0.024in)  
Max. Solid Conductor: 0.14 mm<sup>2</sup> (AWG 26)  
Max. Stranded Conductor: 0.14 mm<sup>2</sup> (AWG 26)  
R (max): 6.5 mOhm  
Test voltage (kV rms) Contact-contact: 1.05

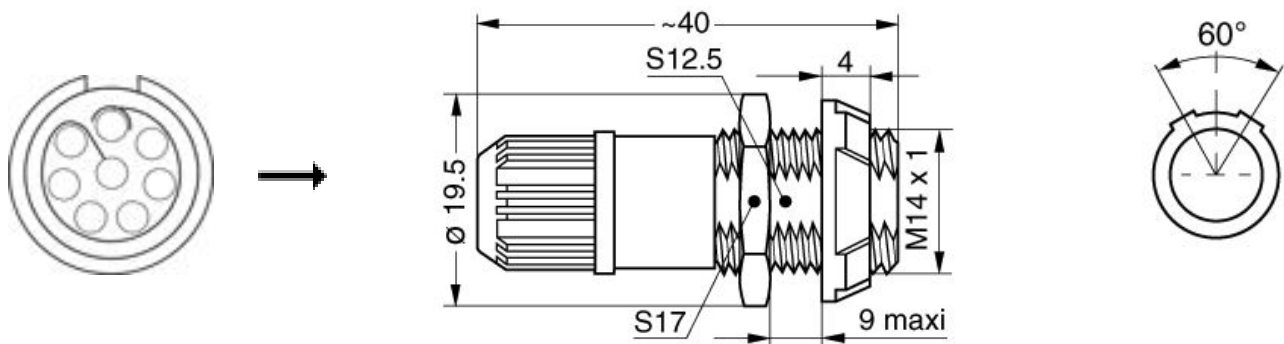
*LEMO products and services are provided "as is". LEMO makes no warranties or representations with regard to LEMO product & services or use of them, express, implied or statutory, including for accuracy, completeness, or security. The user is fully responsible for his products and applications using LEMO components.*

Air clearance min.: 0.6 mm  
Creepage distance min.: 0.6 mm

## Others

Endurance (Shell): >2000 mating cycles  
Temp (min / max): -50°C / +150°C  
F ret (min): 50 N  
F ret (max): 150 N  
Steam sterilization: > 100 times (with potting on rear connection)

## DRAWINGS



## Dimensions

	A	L	N
mm.	19.5	40	22.2
in.	0,77	1,57	0,87

## RECOMMENDED BY LEMO

## Tools

*LEMO products and services are provided "as is". LEMO makes no warranties or representations with regard to LEMO product & services or use of them, express, implied or statutory, including for accuracy, completeness, or security. The user is fully responsible for his products and applications using LEMO components.*

## Cables

CMN.08.T26.042QGZE	TPR (medical)	Grey	
108240	PTFE	White	
108260	PTFE	White	
8280	PVC	Black	

*LEMO products and services are provided "as is". LEMO makes no warranties or representations with regard to LEMO product & services or use of them, express, implied or statutory, including for accuracy, completeness, or security. The user is fully responsible for his products and applications using LEMO components.*

# Mouser Electronics

Authorized Distributor

Click to View Pricing, Inventory, Delivery & Lifecycle Information:

[LEMO:](#)

[PTB.M0.8GL.LC52G](#)