

## SUMMARY

### # Wires

Low voltage	4
Coax	2



Image is for illustrative purpose only

Series	4S
Termination type	Female solder mixed / multi
IP rating	50
AWG wire size	0.00 - 26.00
Cable Ø	12.60 - 13.00 mm
Status	active
Matching parts	<a href="#">FFA.4S.834.CTAC133</a>

### Download

[Request a quote](#)

[Catalog](#)

## TECHNICAL DETAILS

### Mechanics

Shell Style/Model	PSA*: Fixed receptacle, nut fixing, cable collet
Keying	Hermaphroditic keying (half moon insert) with female pin 1
Housing Material	Brass (chrome plated [SAE AMS 2460]) shell and collet nut, nickel plated [SAE AMS QQ N 290] brass latch sleeve and mid pieces
Weight	145.10 g

### Performance

Configuration	4S.834 : 2 Coax (50 Ohm), 4 Low V.
Insulator	T: PTFE
Rated Current	13 Amps

### Specifications

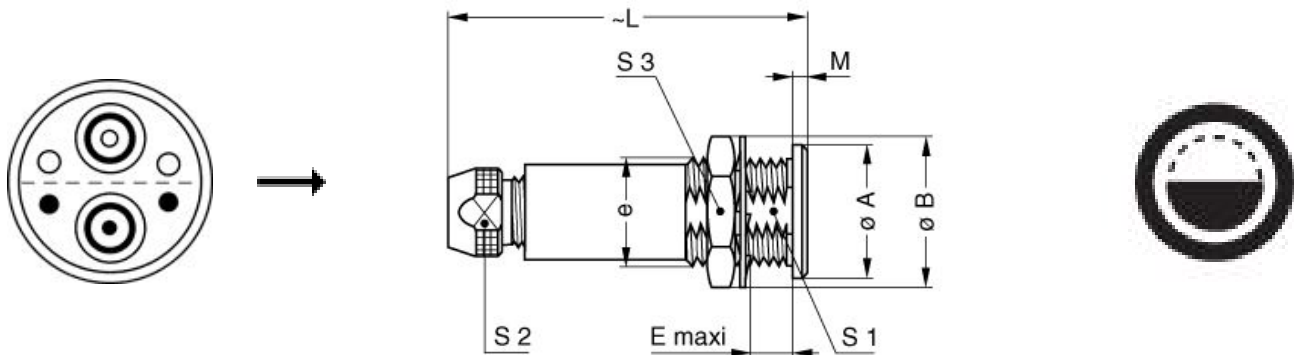
Vtest: 2100 V (AC), 3000 V (DC)
□
Impedance: 50 Ohm
Vtest (contact-shell): 2100 V (AC), 3000 V (DC)
Cable type: RG 179 B/U, RG 187 A/U

### Others

LEMO products and services are provided "as is". LEMO makes no warranties or representations with regard to LEMO product & services or use of them, express, implied or statutory, including for accuracy, completeness, or security. The user is fully responsible for his products and applications using LEMO components.

Endurance (Shell): 5000 mating cycles  
 Temp (min / max): -55°C / +250°C  
 Humidity (max): <=95% [at 60 deg C / 140 F]  
 Vibration: 15 g [10 Hz - 2000 Hz]  
 Shock Resistance: 100 g [ 6 ms]  
 Climatical Category: 50/175/21  
 Shielding (min): 75 dB (10 MHz)  
 Shielding (min): 40 dB (1 GHz)  
 Salt Spray Corrosion: >144 hr

## DRAWINGS



### Dimensions

	A	B	E	L	M	S1	S2	S3	e
mm.	28	32	12	75	2.5	23.5	19	30	M25x1.0
in.	1,10	1,26	0,47	2,95	0,10	0,93	0,75	1,18	

## RECOMMENDED BY LEMO

### Tools

LEMO products and services are provided "as is". LEMO makes no warranties or representations with regard to LEMO product & services or use of them, express, implied or statutory, including for accuracy, completeness, or security. The user is fully responsible for his products and applications using LEMO components.

*LEMO products and services are provided "as is". LEMO makes no warranties or representations with regard to LEMO product & services or use of them, express, implied or statutory, including for accuracy, completeness, or security. The user is fully responsible for his products and applications using LEMO components.*

# Mouser Electronics

Authorized Distributor

Click to View Pricing, Inventory, Delivery & Lifecycle Information:

[LEMO:](#)

[PSA.4S.834.CTLC133](#)