

## SUMMARY

### # Wires

|              |    |
|--------------|----|
| Low voltage  | 14 |
| High voltage | 1  |

|                  |                      |
|------------------|----------------------|
| Series           | 4S                   |
| Termination type | Female solder Hybrid |
| IP rating        | 50                   |
| AWG wire size    | 0.00 - 99.00         |
| Cable Ø          | 9.10 - 10.00 mm      |
| Status           | active               |



Image is for illustrative purpose only

### Download

[Request a quote](#)

## TECHNICAL DETAILS

### Mechanics

|                   |   |
|-------------------|---|
| Shell Style/Model | PSA*: Fixed receptacle, nut fixing, cable collet  |
| Keying            | Hermaphroditic keying (half moon insert) with female pin 1  |
| Housing Material  | Brass (chrome plated [SAE AMS 2460]) shell and collet nut, nickel plated [SAE AMS QQ N 290] brass latch sleeve and mid pieces |
| Weight            | 142.96 g  |

### Performance

|               |                              |
|---------------|------------------------------|
| Configuration | 4S.714 : 1 High V. 14 Low V. |
| Insulator     | L: PEEK (UL 94 / V-0/1.5)    |
| Rated Current | LV 7, HV 14 Amps             |

### Specifications

Contact Type: Solder  
Test voltage HV contact - Ue (kV rms) 7.2  
Please use heatshrink to guarantee High Voltage performance □

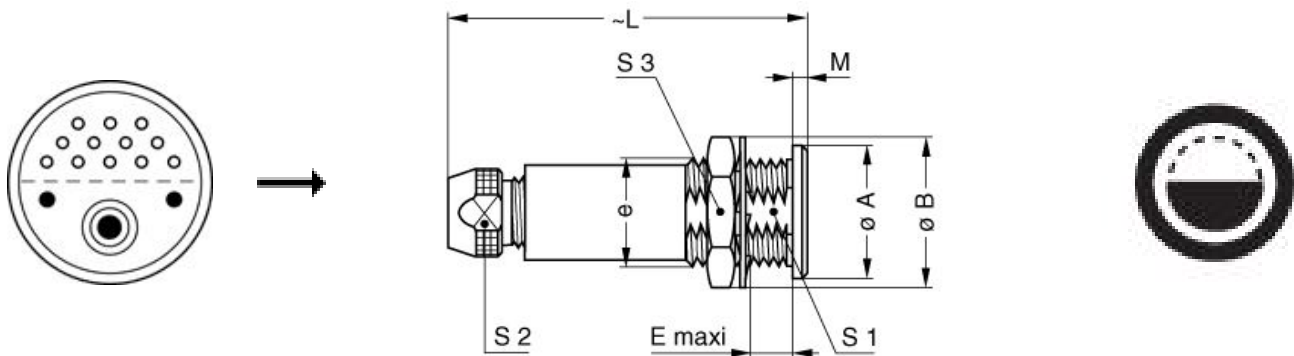
### Others

Endurance (Shell): 5000 mating cycles  
Temp (min / max): -55°C / +250°C

LEMO products and services are provided "as is". LEMO makes no warranties or representations with regard to LEMO product & services or use of them, express, implied or statutory, including for accuracy, completeness, or security. The user is fully responsible for his products and applications using LEMO components.

Humidity (max): <=95% [at 60 deg C /140 F]  
 Vibration: 15 g [10 Hz - 2000 Hz]  
 Shock Resistance: 100 g [ 6 ms]  
 Climatical Category: 50/175/21  
 Shielding (min): 75 dB (10 MHz)  
 Shielding (min): 40 dB (1 GHz)  
 Salt Spray Corrosion: >144 hr

## DRAWINGS



### Dimensions

|     | A    | B    | E    | L    | M    | S1   | S2   | S3   | e       |
|-----|------|------|------|------|------|------|------|------|---------|
| mm. | 28   | 32   | 12   | 75   | 2.5  | 23.5 | 19   | 30   | M25x1.0 |
| in. | 1,10 | 1,26 | 0,47 | 2,95 | 0,10 | 0,93 | 0,75 | 1,18 |         |

## RECOMMENDED BY LEMO

### Tools

*LEMO products and services are provided "as is". LEMO makes no warranties or representations with regard to LEMO product & services or use of them, express, implied or statutory, including for accuracy, completeness, or security. The user is fully responsible for his products and applications using LEMO components.*

# Mouser Electronics

Authorized Distributor

Click to View Pricing, Inventory, Delivery & Lifecycle Information:

[LEMO:](#)

[PSA.4S.714.CLLC10](#)