

## SUMMARY



Image is for illustrative purpose only

### # Wires

Low voltage 3

|                  |                                   |
|------------------|-----------------------------------|
| Series           | 2E                                |
| Termination type | Female solder                     |
| IP rating        | 68                                |
| AWG wire size    | 28.00 - 20.00                     |
| Cable Ø          | 6.10 - 6.50 mm                    |
| Status           | active                            |
| Matching parts   | <a href="#">FFA.2E.303.CLAC65</a> |

### Download

[Request a quote](#)

[Eplan](#)

[Catalog](#)

## TECHNICAL DETAILS

### Mechanics

|                   |   |
|-------------------|---|
| Shell Style/Model | PSA*: Fixed receptacle, nut fixing, cable collet  |
| Keying            | Hermaphroditic keying (half moon insert) with female pin 1  |
| Housing Material  | Brass (chrome plated [SAE AMS 2460]) shell and collet nut, nickel plated [SAE AMS QQ N 290] brass latch sleeve and mid pieces |
| Weight            | 60.34 g   |

### Performance

|               |                           |
|---------------|---------------------------|
| Configuration | 2E.303 : 3 Low Voltage    |
| Insulator     | L: PEEK (UL 94 / V-0/1.5) |
| Rated Current | 15 Amps                   |

### Specifications

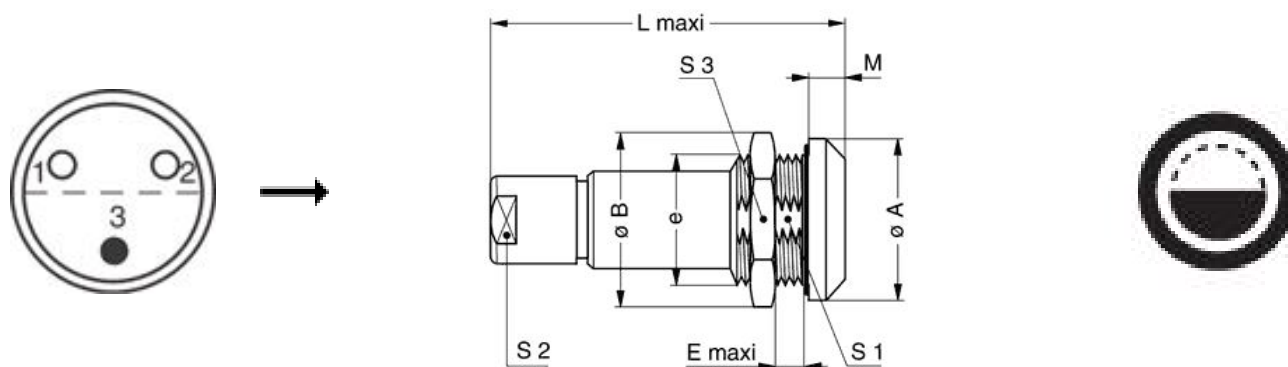
Contact Type: Solder  
Contact Dia.: 1.3 mm (0.051in)  
Bucket Dia.: 1 mm (0.039in)  
Max. Solid Conductor: 0.5 mm<sup>2</sup> (AWG 20)  
Max. Stranded Conductor: 0.5 mm<sup>2</sup> (AWG 20)  
R (max): 3.6 mOhm  
Vtest: 1500 V (AC), 2100 V (DC)

LEMO products and services are provided "as is". LEMO makes no warranties or representations with regard to LEMO product & services or use of them, express, implied or statutory, including for accuracy, completeness, or security. The user is fully responsible for his products and applications using LEMO components.

## Others

Endurance (Shell): 5000 mating cycles  
Temp (min / max): -55°C / +200°C  
Humidity (max): <=95% [at 60 deg C / 140 F]  
Vibration: 15 g [10 Hz - 2000 Hz]  
Shock Resistance: 100 g [ 6 ms]  
Climatical Category: 50/175/21  
Shielding (min): 95 dB (10 MHz)  
Shielding (min): 80 dB (1 GHz)  
Salt Spray Corrosion: >1000 hr

## DRAWINGS



## Dimensions

|     | A    | B    | E    | L    | M    | S1   | S2   | S3   | e       |
|-----|------|------|------|------|------|------|------|------|---------|
| mm. | 25   | 27.5 | 9    | 54   | 5    | 18.5 | 12   | 24   | M20x1.0 |
| in. | 0,98 | 1,08 | 0,35 | 2,13 | 0,20 | 0,73 | 0,47 | 0,94 |         |

## RECOMMENDED BY LEMO

### Tools

Spanner wrench: [DCD.2E.020.PA120](#)

*LEMO products and services are provided "as is". LEMO makes no warranties or representations with regard to LEMO product & services or use of them, express, implied or statutory, including for accuracy, completeness, or security. The user is fully responsible for his products and applications using LEMO components.*

## Cables

|        |     |      |  |
|--------|-----|------|--|
| 230750 | PVC | Grey |  |
|--------|-----|------|--|

*LEMO products and services are provided "as is". LEMO makes no warranties or representations with regard to LEMO product & services or use of them, express, implied or statutory, including for accuracy, completeness, or security. The user is fully responsible for his products and applications using LEMO components.*

# Mouser Electronics

Authorized Distributor

Click to View Pricing, Inventory, Delivery & Lifecycle Information:

[LEMO:](#)

[PSA.2E.303.CLLC65](#)