

## SUMMARY



Image is for illustrative purpose only

### # Wires

Triax 1

Series 1E  
Termination type Female solder  
IP rating 68  
AWG wire size 0.00 - 0.00  
Cable Ø 5.60 - 6.00 mm  
Status active  
Matching parts [FFA.1E.650.CTAC60](#)

### Download

[Request a quote](#)  
[Catalog](#)

## TECHNICAL DETAILS

### Mechanics

Shell Style/Model PSA\*: Fixed receptacle, nut fixing, cable collet  
Keying Circular, female  
Housing Material Brass (chrome plated [SAE AMS 2460]) shell and collet nut, nickel plated [SAE AMS QQ N 290] brass latch sleeve and mid pieces

### Performance

Configuration 1E.650 : 1 Triax (50 Ohm)  
Insulator T: PTFE  
Rated Current 6 Amps

### Specifications

Contact Type: Solder  
Vtest: 1200 V (AC), 1690 V (DC)  
Impedance: 50 Ohm  
VSWR: 1.01 + 0.17 \* f/GHz  
Cable type: RGT 178, RGT 174, Belden 9222

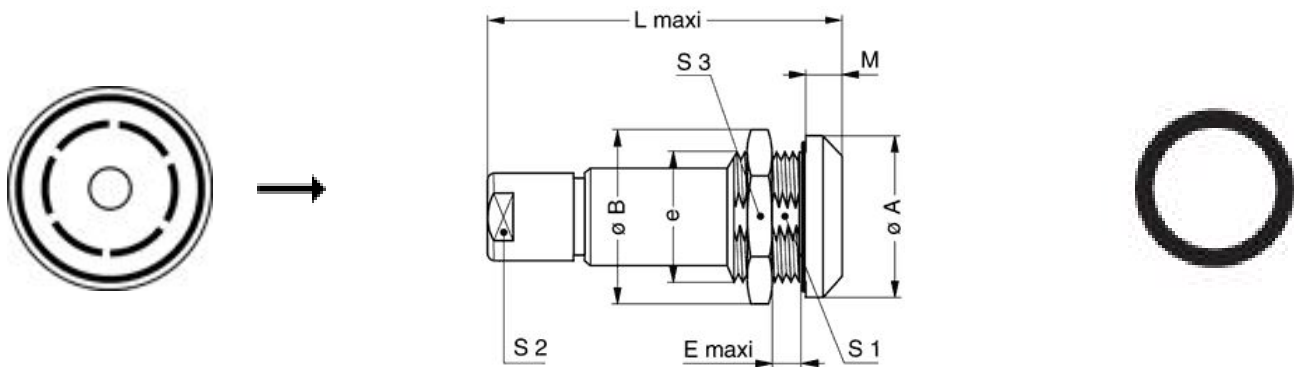
### Others

Endurance (Shell): 5000 mating cycles

LEMO products and services are provided "as is". LEMO makes no warranties or representations with regard to LEMO product & services or use of them, express, implied or statutory, including for accuracy, completeness, or security. The user is fully responsible for his products and applications using LEMO components.

Temp (min / max): -55° C / +200° C  
 Humidity (max): <=95% [at 60 deg C / 140 F]  
 Vibration: 15 g [10 Hz - 2000 Hz]  
 Shock Resistance: 100 g [ 6 ms]  
 Climatological Category: 50/175/21  
 Shielding (min): 95 dB (10 MHz)  
 Shielding (min): 80 dB (1 GHz)  
 Salt Spray Corrosion: >1000 hr

## DRAWINGS



### Dimensions

	A	B	E	L	M	S1	S2	S3	e
mm.	20	21.5	9	45	4.5	14.5	9	19	M16x1.0
in.	0,79	0,85	0,35	1,77	0,18	0,57	0,35	0,75	

## RECOMMENDED BY LEMO

### Tools

Spanner wrench: [DCD.1E.008.PA090](#)

*LEMO products and services are provided "as is". LEMO makes no warranties or representations with regard to LEMO product & services or use of them, express, implied or statutory, including for accuracy, completeness, or security. The user is fully responsible for his products and applications using LEMO components.*

*LEMO products and services are provided "as is". LEMO makes no warranties or representations with regard to LEMO product & services or use of them, express, implied or statutory, including for accuracy, completeness, or security. The user is fully responsible for his products and applications using LEMO components.*

# Mouser Electronics

Authorized Distributor

Click to View Pricing, Inventory, Delivery & Lifecycle Information:

[LEMO:](#)

[PSA.1E.650.CTLC60](#)