

## SUMMARY

### # Wires

Low voltage 9



*Image is for illustrative purpose only*

Series	1P
Termination type	Female print PCB
IP rating	50
AWG wire size	0.00 - 0.00
Cable Ø	0.00 - 0.00 mm
Status	active
Matching parts	<a href="#">PAG.M0.9GL.AC39G</a>

### Download

- [Request a quote](#)
- [PCB Eagle Pattern](#)
- [PCB Altium Pattern](#)
- [PCB KiCad Pattern](#)
- [Catalog](#)

## TECHNICAL DETAILS

### Mechanics

Shell Style/Model	PP*: Elbow receptacle key (G) or keys (A,B,C) for printed circuit
Keying	1 key (alpha=0; Plug: male contact; Receptacle: female contact)
Housing Material	PSU (Polysulfone), gray
Weight	6.18 g

### Performance

Configuration	1P.M09 : 9 Low Voltage
Insulator	G: PSU gray
Rated Current	3 Amps

### Specifications

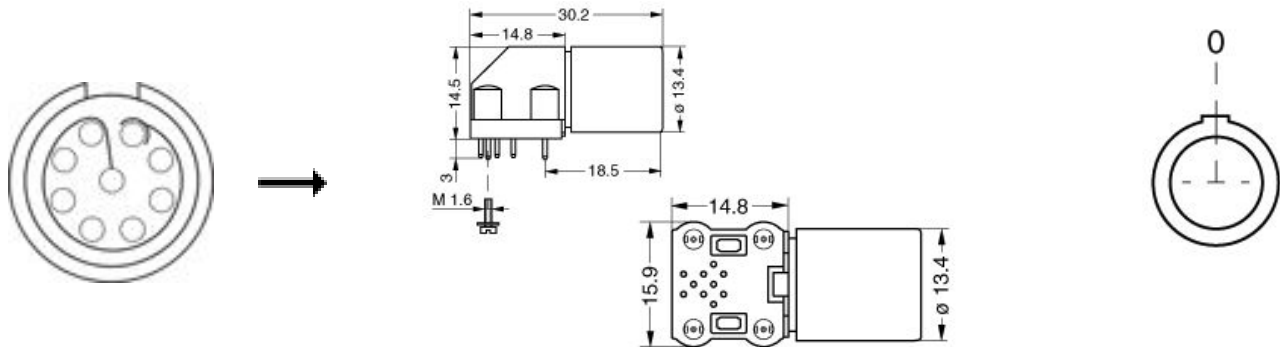
Contact Type: Print (straight)  
Contact Dia.: 0.5 mm (0.0201in)  
R (max): 8.5 mOhm  
Test voltage (kV rms) Contact-contact: 0.85  
Air clearance min.: 0.6 mm  
Creepage distance min.: 0.6 mm

### Others

*LEMO products and services are provided "as is". LEMO makes no warranties or representations with regard to LEMO product & services or use of them, express, implied or statutory, including for accuracy, completeness, or security. The user is fully responsible for his products and applications using LEMO components.*

Endurance (Shell): >2000 mating cycles  
 Temp (min / max): -50°C / +150°C  
 F ret (min): 50 N  
 F ret (max): 150 N  
 Steam sterilization: > 100 times (with potting on rear connection)

## DRAWINGS



### Dimensions

	A	B	H	L	M
mm.	13.4	15.9	17.5	30.2	14.8
in.	0,53	0,63	0,69	1,19	0,58

## RECOMMENDED BY LEMO

### Tools

LEMO products and services are provided "as is". LEMO makes no warranties or representations with regard to LEMO product & services or use of them, express, implied or statutory, including for accuracy, completeness, or security. The user is fully responsible for his products and applications using LEMO components.

# Mouser Electronics

Authorized Distributor

Click to View Pricing, Inventory, Delivery & Lifecycle Information:

[LEMO:](#)

[PPG.M0.9GG.N](#)