

SUMMARY

Wires

Low voltage 6

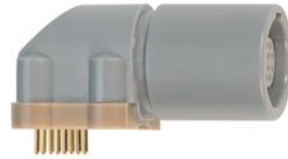


Image is for illustrative purpose only

Series 1P
Termination type Female print PCB
IP rating 50
AWG wire size 0.00 - 0.00
Cable Ø 0.00 - 0.00 mm
Status active

Download

[Request a quote](#)
[PCB Eagle Pattern](#)
[PCB Altium Pattern](#)
[PCB KiCad Pattern](#)
[Catalog](#)

TECHNICAL DETAILS

Mechanics

Shell Style/Model PP*: Elbow receptacle key (G) or keys (A,B,C) for printed circuit
Keying 1 key (alpha=0; Plug: male contact; Receptacle: female contact)
Housing Material PSU (Polysulfone), black
Weight 5.70 g

Performance

Configuration 1P.M06 : 6 Low Voltage
Insulator G: PSU gray
Rated Current 6 Amps

Specifications

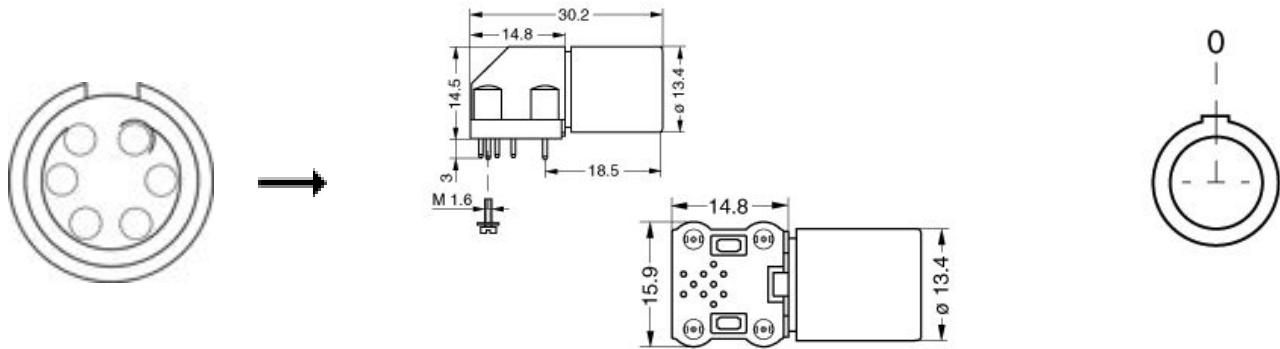
Contact Type: Print (straight)
Contact Dia.: 0.7 mm (0.0275in)
R (max): 6.5 mOhm
Test voltage (kV rms) Contact-contact: 1.05
Air clearance min.: 0.85 mm
Creepage distance min.: 0.85 mm

Others

LEMO products and services are provided "as is". LEMO makes no warranties or representations with regard to LEMO product & services or use of them, express, implied or statutory, including for accuracy, completeness, or security. The user is fully responsible for his products and applications using LEMO components.

Endurance (Shell): >2000 mating cycles
 Temp (min / max): -50°C / +150°C
 F ret (min): 50 N
 F ret (max): 150 N
 Steam sterilization: > 100 times (with potting on rear connection)

DRAWINGS



Dimensions

| | A | B | H | L | M |
|-----|------|------|------|------|------|
| mm. | 13.4 | 15.9 | 17.5 | 30.2 | 14.8 |
| in. | 0,53 | 0,63 | 0,69 | 1,19 | 0,58 |

RECOMMENDED BY LEMO

Tools

LEMO products and services are provided "as is". LEMO makes no warranties or representations with regard to LEMO product & services or use of them, express, implied or statutory, including for accuracy, completeness, or security. The user is fully responsible for his products and applications using LEMO components.

Mouser Electronics

Authorized Distributor

Click to View Pricing, Inventory, Delivery & Lifecycle Information:

[LEMO:](#)

[PPG.M0.6NG.N](#)