

## SUMMARY

### # Wires

Low voltage 2



Image is for illustrative purpose only

|                  |                                   |
|------------------|-----------------------------------|
| Series           | 1B                                |
| Termination type | Female solder                     |
| IP rating        | 50                                |
| AWG wire size    | 28.00 - 20.00                     |
| Cable Ø          | 5.30 - 6.20 mm                    |
| Status           | active                            |
| Matching parts   | <a href="#">FGG.1B.302.CLAD62</a> |

### Download

[Request a quote](#)

[Eplan](#)

[Catalog](#)

## TECHNICAL DETAILS

### Mechanics

|                   |   |
|-------------------|---|
| Shell Style/Model | PK*: Fixed receptacle, nut fixing, cable collet   |
| Keying            | 1 key (alpha=0, plug: male contacts, receptacle: female contacts)   |
| Housing Material  | Brass (chrome plated [SAE AMS 2460]) shell and collet nut, nickel plated [SAE AMS QQ N 290] brass latch sleeve and mid pieces |
| Weight            | 16.74 g   |

### Performance

|               |                           |
|---------------|---------------------------|
| Configuration | 1B.302 : 2 Low Voltage    |
| Insulator     | L: PEEK (UL 94 / V-0/1.5) |
| Rated Current | 15 Amps                   |

### Specifications

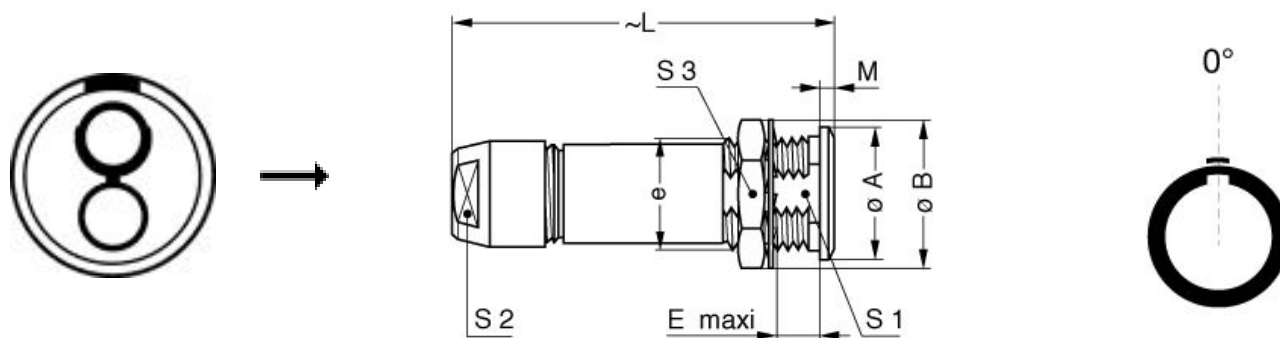
Contact Type: Solder  
Contact Dia.: 1.3 mm (0.051in)  
Bucket Dia.: 1 mm (0.039in)  
Max. Solid Conductor: 0.5 mm<sup>2</sup> (AWG 20)  
Max. Stranded Conductor: 0.5 mm<sup>2</sup> (AWG 20)  
R (max): 3.6 mOhm  
Vtest (contact-shell): 1350 V (AC), 1910 V (DC)  
Vtest (contact-contact): 1500 V (AC), 2120 V (DC)

LEMO products and services are provided "as is". LEMO makes no warranties or representations with regard to LEMO product & services or use of them, express, implied or statutory, including for accuracy, completeness, or security. The user is fully responsible for his products and applications using LEMO components.

## Others

Endurance (Shell): 5000  
 Temp (min / max): -55°C / +250°C  
 Humidity (max): <=95% [at 60 deg C / 140 F]  
 Vibration: 15 g [10 Hz - 2000 Hz]  
 Shock Resistance: 100 g [ 6 ms]  
 Climatical Category: 50/175/21  
 Shielding (min): 75 dB (10 MHz)  
 Shielding (min): 40 dB (1 GHz)  
 Salt Spray Corrosion: >1000 hr

## DRAWINGS



## Dimensions

|     | A    | B    | E    | L    | M    | S1   | S2   | S3   | e       |
|-----|------|------|------|------|------|------|------|------|---------|
| mm. | 14   | 15.8 | 7.5  | 40.5 | 1.5  | 10.5 | 9    | 14   | M12x1.0 |
| in. | 0,55 | 0,62 | 0,30 | 1,59 | 0,06 | 0,41 | 0,35 | 0,55 |         |

## RECOMMENDED BY LEMO

### Tools

Spanner wrench: [DCD.1B.015.PA090](#)

*LEMO products and services are provided "as is". LEMO makes no warranties or representations with regard to LEMO product & services or use of them, express, implied or statutory, including for accuracy, completeness, or security. The user is fully responsible for his products and applications using LEMO components.*

## Cables

|        |     |       |  |
|--------|-----|-------|--|
| 102080 | PVC | Grey  |  |
| 120184 | PVC | Black |  |
| 120500 | PVC | Grey  |  |
| 120751 | PVC | Grey  |  |
| 220750 | PVC | Grey  |  |

*LEMO products and services are provided "as is". LEMO makes no warranties or representations with regard to LEMO product & services or use of them, express, implied or statutory, including for accuracy, completeness, or security. The user is fully responsible for his products and applications using LEMO components.*

# Mouser Electronics

Authorized Distributor

Click to View Pricing, Inventory, Delivery & Lifecycle Information:

[LEMO:](#)

[PKG.1B.302.CLLD62](#)