

## SUMMARY

### # Wires

Low voltage 4



*Image is for illustrative purpose only*

Series 00  
Termination type Female solder  
IP rating 50  
AWG wire size 34.00 - 28.00  
Cable Ø 2.30 - 2.70 mm  
Status active  
Matching parts [FGG.00.304.KLAD27](#)

### Download

[Request a quote](#)

[Catalog](#)

## TECHNICAL DETAILS

### Mechanics

Shell Style/Model PH\*: Free receptacle, cable collet  
Keying 1 key (alpha=0, plug: male contacts, receptacle: female contacts)  
Housing Material Brass (black chrome) shell and collet nut, nickel plated [SAE AMS QQ N 290] brass latch sleeve and mid pieces  
Weight 3.21 g

### Performance

Configuration 00.304 : 4 Low Voltage  
Insulator L: PEEK (UL 94 / V-0/1.5)  
Rated Current 2 Amps

### Specifications

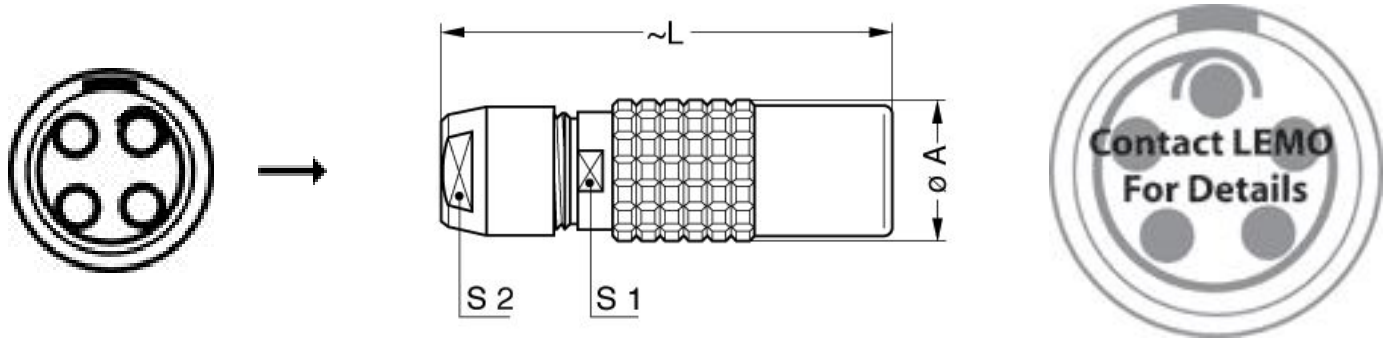
Contact Type: Solder  
Contact Dia.: 0.5 mm (0.02in)  
Bucket Dia.: 0.4 mm (0.016in)  
Max. Solid Conductor: 0.09 mm<sup>2</sup> (AWG 28)  
Max. Stranded Conductor: 0.05 mm<sup>2</sup> (AWG 30)  
R (max): 8.7 mOhm  
Vtest (contact-shell): 650 V (AC), 920 V (DC)  
Vtest (contact-contact): 800 V (AC), 1130 V (DC)

*LEMO products and services are provided "as is". LEMO makes no warranties or representations with regard to LEMO product & services or use of them, express, implied or statutory, including for accuracy, completeness, or security. The user is fully responsible for his products and applications using LEMO components.*

## Others

Salt Spray Corrosion: >1000 hr

## DRAWINGS



## Dimensions

	A	L	S1	S2
mm.	6.8	26	5.5	5
in.	0,27	1,02	0,22	0,20

## RECOMMENDED BY LEMO

## Tools

LEMO products and services are provided "as is". LEMO makes no warranties or representations with regard to LEMO product & services or use of them, express, implied or statutory, including for accuracy, completeness, or security. The user is fully responsible for his products and applications using LEMO components.

# Mouser Electronics

Authorized Distributor

Click to View Pricing, Inventory, Delivery & Lifecycle Information:

[LEMO:](#)

[PHG.00.304.KLLD27](#)